

DO NOT SCALE FROM THIS PRINT

DESIGNED & DIMENSIONED IN INCHES[MILLIMETERS]

PRFIA-292-J-J-S-1

ADAPTER TYPE
-IA: IN-SERIES ADAPTER

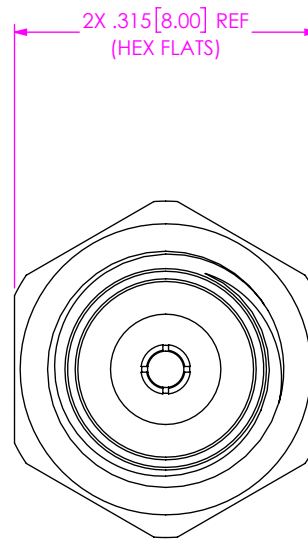
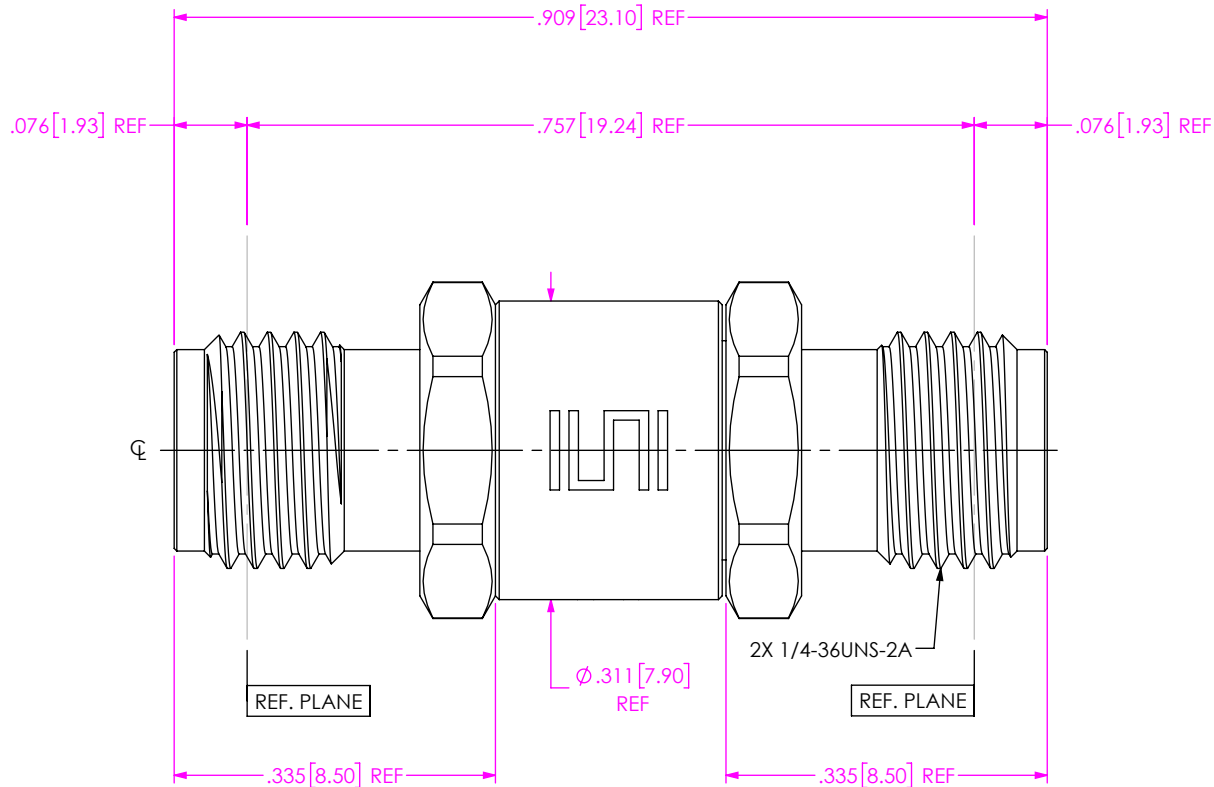
SERIES
-292: 2.92mm

END 1 GENDER
-J: JACK

OPTION
-1

ORIENTATION
-S: STRAIGHT

END 2 GENDER
-J: JACK



NOTES:

- MATERIAL:
BODY: STAINLESS STEEL
SOCKET: BERYLLIUM COPPER
BEAD: PEI
- FINISH:
BODY: PASSIVATED
SOCKET: GOLD
- VSWR DC – 40GHz ___ 1.15:1 MAX
- INSERTION LOSS .05XSQRT(MAX FREQ) MAX

UNLESS OTHERWISE SPECIFIED, DIMENSIONS ARE IN INCHES.
TOLERANCES ARE:
DECIMALS ANGLES
.XX: ±.01 [0.3] 1°
.XXX: ±.005 [0.13]
.XXXX: ±.0005 [0.013]

PROPRIETARY NOTE
THIS DOCUMENT CONTAINS CONFIDENTIAL AND PROPRIETARY INFORMATION AND ALL DESIGN, MANUFACTURING, REPRODUCTION, USE, PATENT RIGHTS AND SALES RIGHTS ARE EXPRESSLY RESERVED BY SAMTEC, INC. THIS DOCUMENT SHALL NOT BE DISCLOSED, IN WHOLE OR PART, TO ANY UNAUTHORIZED PERSON OR ENTITY NOR REPRODUCED, TRANSFERRED OR INCORPORATED IN ANY OTHER PROJECT IN ANY MANNER WITHOUT THE EXPRESS WRITTEN CONSENT OF SAMTEC, INC.



520 PARK EAST BLVD., NEW ALBANY, IN 47150
PHONE: 812-944-6733 FAX: 812-948-5047
e-Mail info@SAMTEC.com code 55322

DO NOT SCALE DRAWING SHEET SCALE: 5:1

DESCRIPTION:
ADAPTER, 2.92MM JACK TO 2.92MM JACK

DWG. NO. PRFIA-292-J-J-S-1

BY: WILLY Y 3/8/2022 SHEET 1 OF 1