

DO NOT
SCALE FROM
THIS PRINT

DESIGNED & DIMENSIONED
IN INCHES[MILLIMETERS]

PRFIA-292-P-P-S

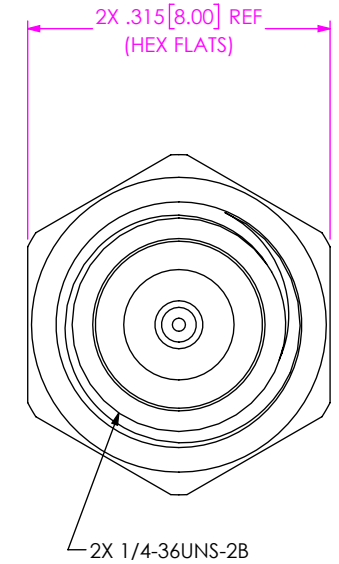
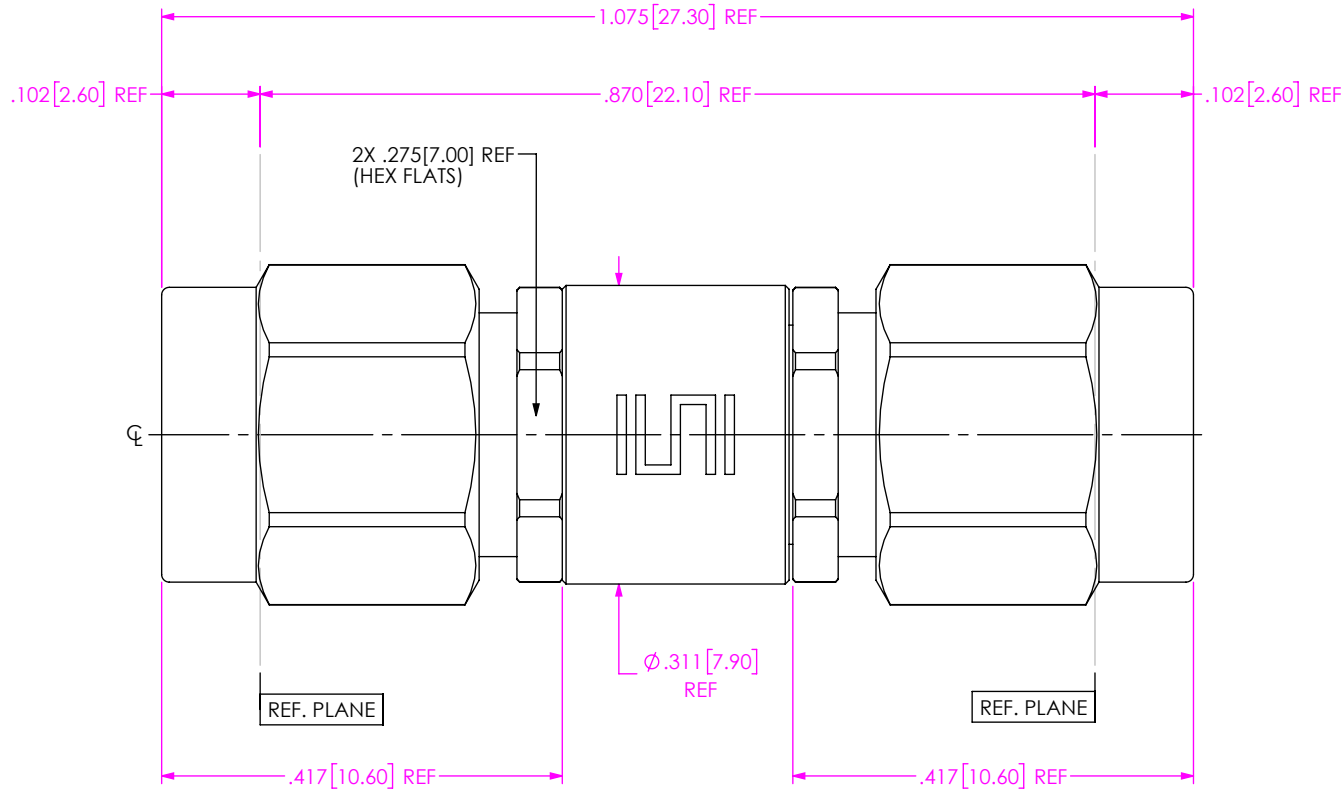
ADAPTER TYPE
-IA: IN-SERIES ADAPTER

SERIES
-292: 2.92mm

ORIENTATION
-S: STRAIGHT


END 2 GENDER
-P: PLUG

END 1 GENDER
-P: PLUG



NOTES:

- MATERIAL:
BODY: STAINLESS STEEL
CONTACT: BERYLLIUM COPPER
BEAD: PEI
- FINISH:
BODY: PASSIVATED
CONTACT: GOLD
- VSWR DC – 40GHz ___ 1.15:1 MAX
- INSERTION LOSS .05XSQRT(MAX FREQ) MAX

<p>UNLESS OTHERWISE SPECIFIED, DIMENSIONS ARE IN INCHES. TOLERANCES ARE: DECIMALS ANGLES .XX: ±.01 [0.3] 1° .XXX: ±.005 [0.13] .XXXX: ±.0005 [0.013]</p>	<p>PROPRIETARY NOTE * THIS DOCUMENT CONTAINS CONFIDENTIAL AND PROPRIETARY INFORMATION AND ALL DESIGN, MANUFACTURING, REPRODUCTION, USE, PATENT RIGHTS AND SALES RIGHTS ARE EXPRESSLY RESERVED BY SAMTEC, INC. THIS DOCUMENT SHALL NOT BE DISCLOSED, IN WHOLE OR PART, TO ANY UNAUTHORIZED PERSON OR ENTITY NOR REPRODUCED, TRANSFERRED OR INCORPORATED IN ANY OTHER PROJECT IN ANY MANNER WITHOUT THE EXPRESS WRITTEN CONSENT OF SAMTEC, INC.</p>	 <p>520 PARK EAST BLVD., NEW ALBANY, IN 47150 PHONE: 812-944-6733 FAX: 812-948-5047 e-Mail info@SAMTEC.com code 55322</p>
<p>DO NOT SCALE DRAWING</p>	<p>SHEET SCALE: 5:1</p>	<p>DESCRIPTION: ADAPTER, 2.92MM PLUG TO 2.92MM PLUG</p> <p>DWG. NO. PRFIA-292-P-P-S</p> <p>BY: WILLY Y 3/8/2022 SHEET 1 OF 1</p>