

DO NOT
SCALE FROM
THIS PRINT

DESIGNED & DIMENSIONED
IN INCHES [MILLIMETERS]

PRFIA-SMPM-J-J-S-1

SERIES
-M0: SMPM
GENDER
-J: JACK
GENDER
-J: JACK
OPTION
-1
ORIENTATION
-S: STRAIGHT

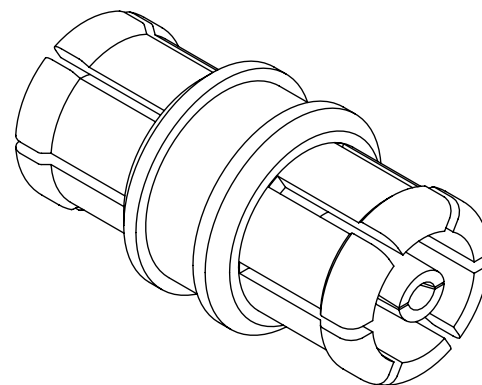
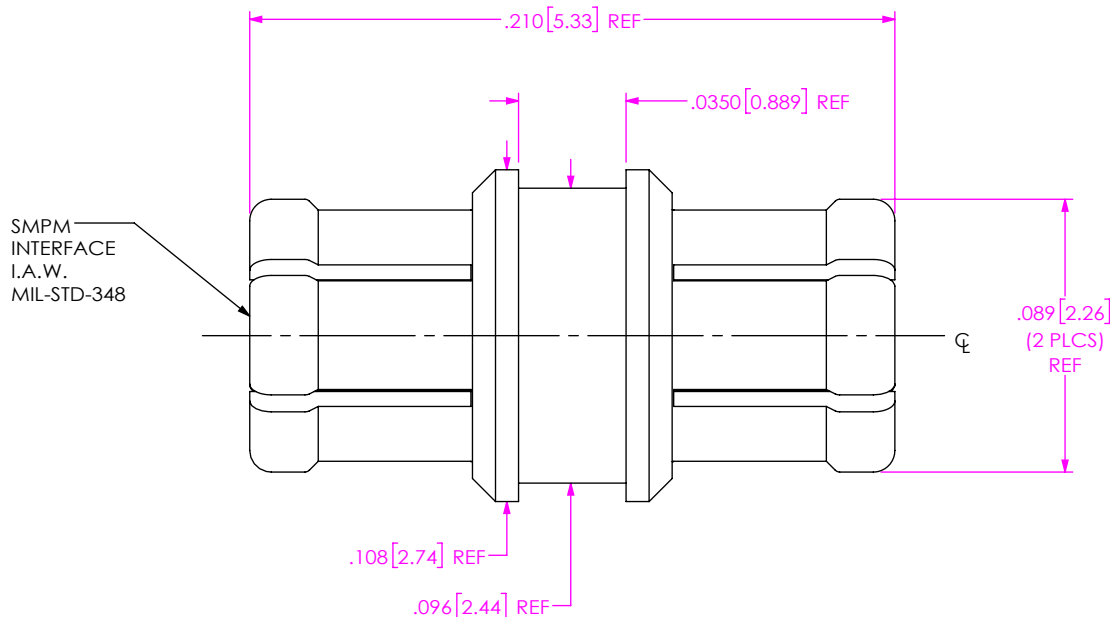



FIG 1
PRFIA-SMPM-J-J-S-1 SHOWN

- NOTES:
1. TRAYS TO BE STANDARD PACKAGING.
 2. MATERIAL:
BODY, CONTACT: BERYLLIUM COPPER.
BEAD: PTFE.
 3. FINISH:
BODY: GOLD OVER NICKEL PLATE,
10 μIN MIN GOLD OVER 50 μIN MIN NICKEL.
CONTACT: GOLD OVER NICKEL PLATE,
30 μIN MIN GOLD OVER 50 μIN MIN NICKEL.

<p>UNLESS OTHERWISE SPECIFIED, DIMENSIONS ARE IN INCHES. TOLERANCES ARE: DECIMALS ANGLES .XX: ±.01 [0.3] 2° .XXX: ±.005 [0.13] .XXXX: ±.0005 [0.013]</p>	<p>PROPRIETARY NOTE * THIS DOCUMENT CONTAINS CONFIDENTIAL AND PROPRIETARY INFORMATION AND ALL DESIGN, MANUFACTURING, REPRODUCTION, USE, PATENT RIGHTS AND SALES RIGHTS ARE EXPRESSLY RESERVED BY SAMTEC, INC. THIS DOCUMENT SHALL NOT BE DISCLOSED, IN WHOLE OR PART, TO ANY UNAUTHORIZED PERSON OR ENTITY NOR REPRODUCED, TRANSFERRED OR INCORPORATED IN ANY OTHER PROJECT IN ANY MANNER WITHOUT THE EXPRESS WRITTEN CONSENT OF SAMTEC, INC.</p>	 <p>520 PARK EAST BLVD., NEW ALBANY, IN 47150 PHONE: 812-944-6733 FAX: 812-948-5047 e-Mail info@SAMTEC.com code 55322</p>
<p>DO NOT SCALE DRAWING</p>	<p>SHEET SCALE: 1:6:1</p>	<p>DESCRIPTION: SMPM BULLETS 5.33 JACK ASSEMBLY DWG. NO. PRFIA-SMPM-J-J-S-1 BY: SHERRY W 9/7/2018 SHEET 1 OF 1</p>