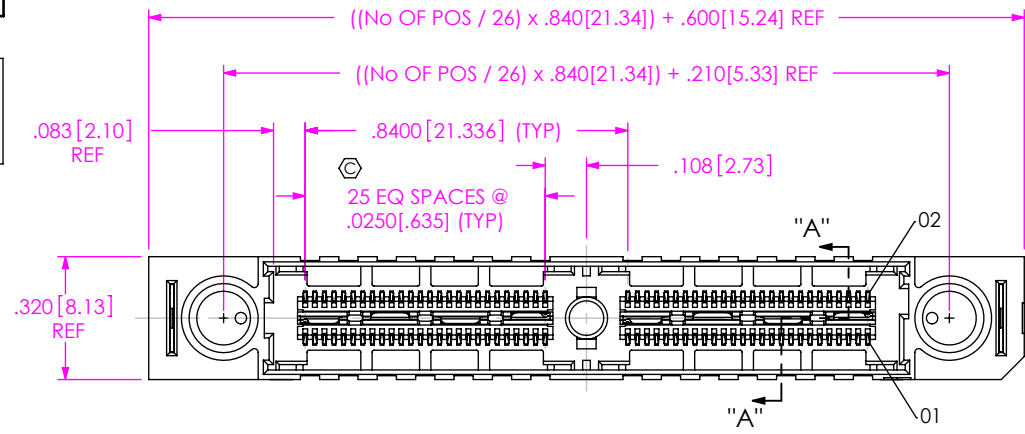


DO NOT SCALE FROM THIS PRINT

QFS-XXX-XX-XX-D-EM2-XX



- No OF POSITIONS**
-026, -052, -078, -104, *-130 (PER ROW)
 - LEAD STYLE**
-01
 - PLATING SPECIFICATION**
-SL: SELECTIVE LIGHT GOLD (USE C-210-01-SL)
-S: SELECTIVE GOLD (USE C-210-01-S)
-L: LIGHT GOLD (USE C-210-01-L)
-H: HEAVY GOLD (USE C-210-01-H)
(ALL PLATING STYLES USE T-1G26-01-L & WT-17-GF)
 - PACKAGING**
BLANK: TRAY (SEE NOTES 6 & 7)
-TR: TAPE & REEL (SEE NOTES 7 & 8)
(-026 & -052 WITH NO OPTIONS)
-FR: FULL REEL QTY TAPE & REEL (SEE NOTES 7 & 8)
(-026 & -052 WITH NO OPTIONS)
 - EM2: EDGE MOUNT**
 - ROW SPECIFICATION**
-D: DOUBLE
- * = NOT TOOLED

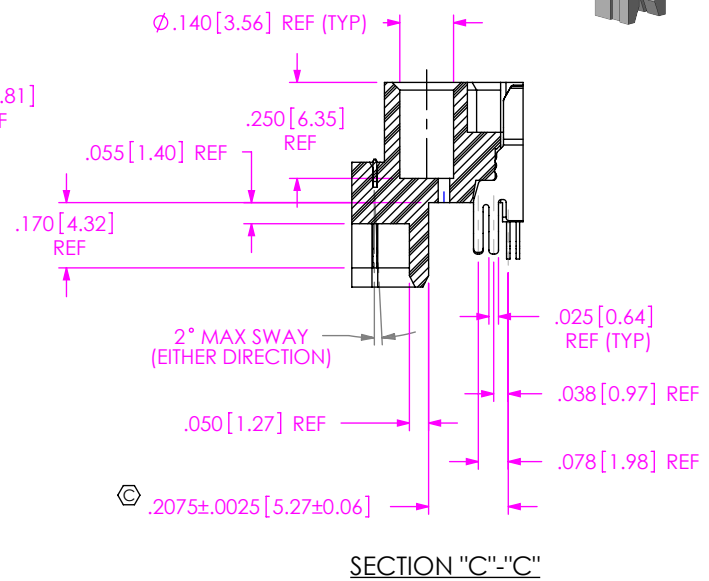
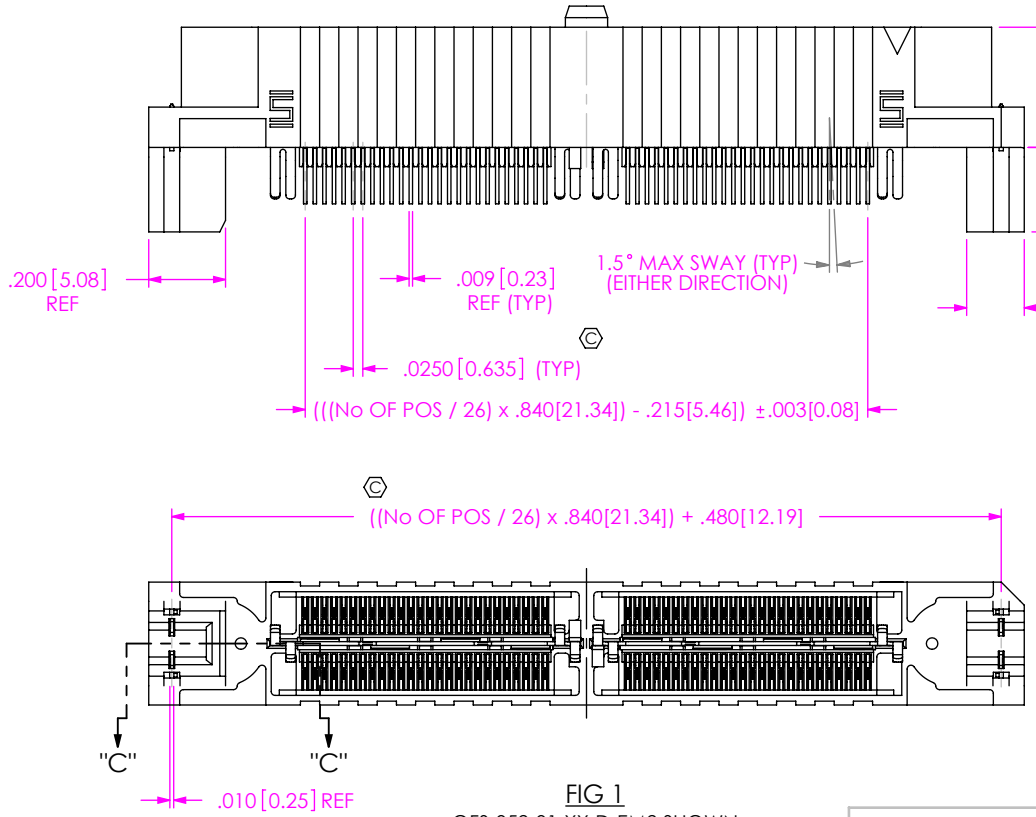
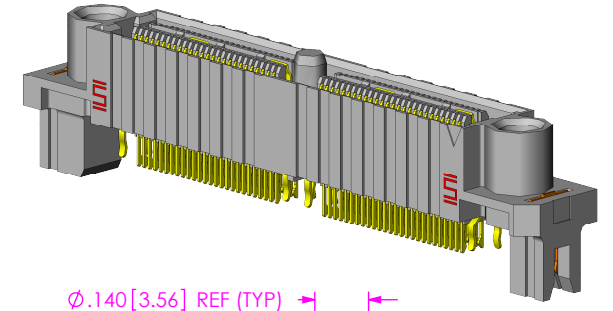
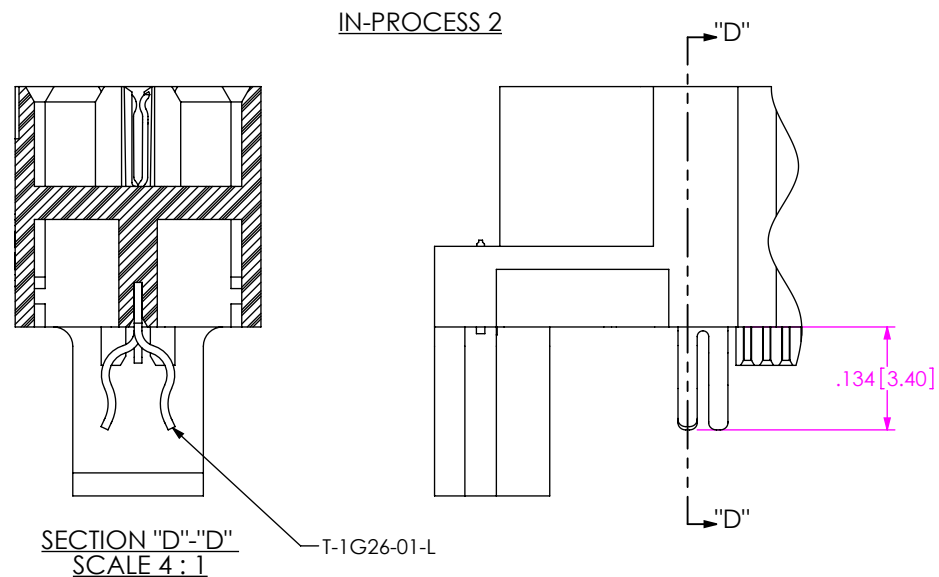
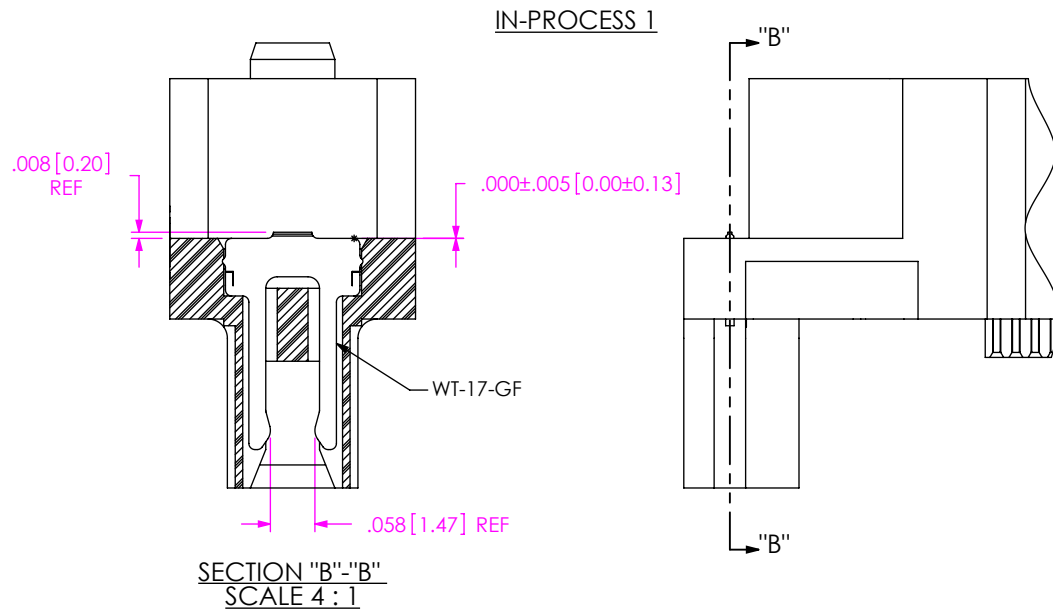
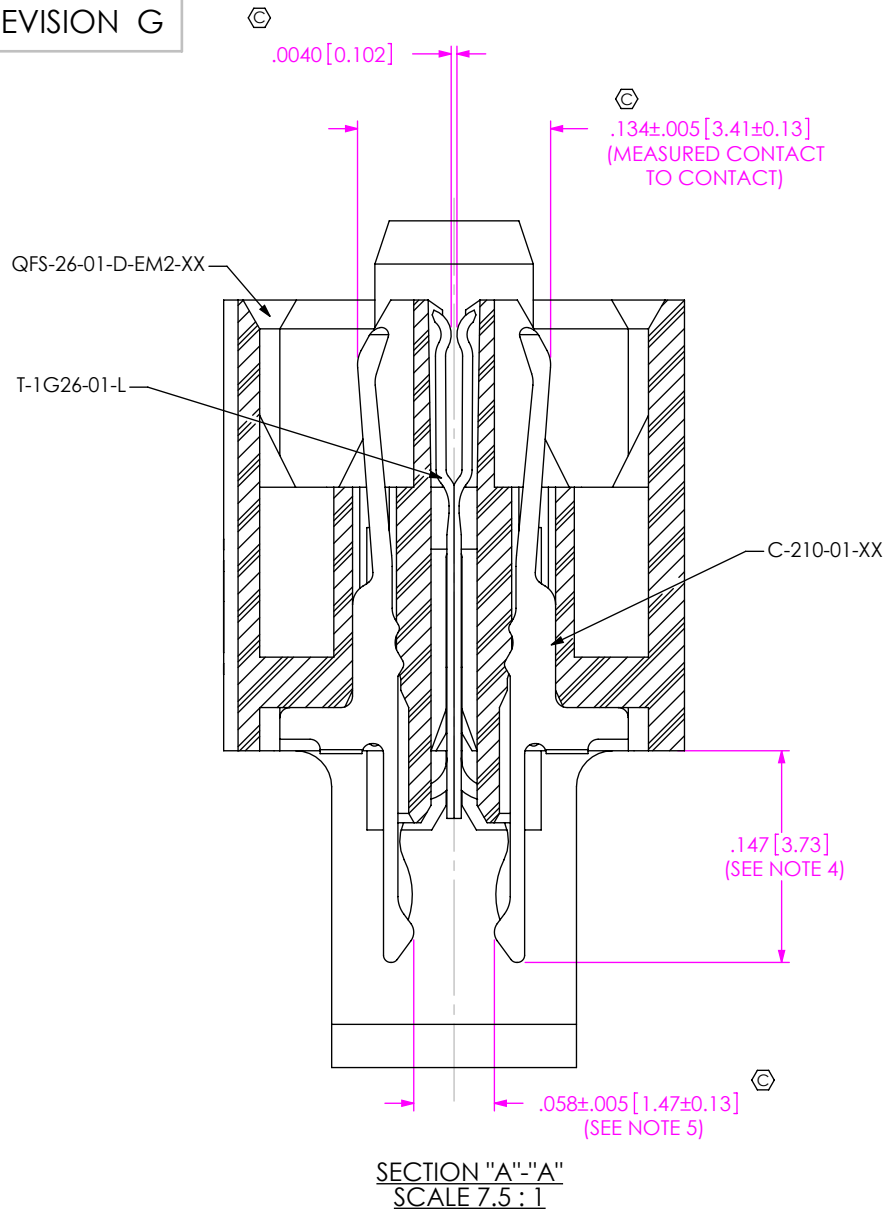


FIG 1
QFS-052-01-XX-D-EM2 SHOWN

- NOTES:
- ⊗ REPRESENTS A CRITICAL DIMENSION.
 - BURR ALLOWANCE: $.0015[0.038]$ MAX.
 - MINIMUM PUSHOUT FORCE: SIGNAL: $.5\ LB[2.22N]$, GROUND & WELD TAB: $1\ LB[4.45N]$.
 - MAX VARIANCE OF $.002[0.05]$.
 - DIMENSION APPLIES TO GROUND PLANE & SIGNAL PINS.
 - TRAYS ARE STANDARD PACKAGING.
 - ORDERS WILL BE PACKAGED ACCORDING TO THE SAMTEC PACKAGING EFFICIENCY STANDARDS (SPES) FOUND ON WWW.SAMTEC.COM.
 - ATTACH LABEL TO EACH REEL.

<p>UNLESS OTHERWISE SPECIFIED, DIMENSIONS ARE IN INCHES. TOLERANCES ARE:</p> <p>DECIMALS ANGLES</p> <p>.XX: $\pm .01$ [.3] 2°</p> <p>.XXX: $\pm .005$ [.13]</p> <p>.XXXX: $\pm .0020$ [.051]</p>	<p>PROPRIETARY NOTE</p> <p>THIS DOCUMENT CONTAINS CONFIDENTIAL AND PROPRIETARY INFORMATION AND ALL DESIGN, MANUFACTURING, REPRODUCTION, USE, PATENT RIGHTS AND SALES RIGHTS ARE EXPRESSLY RESERVED BY SAMTEC, INC. THIS DOCUMENT SHALL NOT BE DISCLOSED, IN WHOLE OR PART, TO ANY UNAUTHORIZED PERSON OR ENTITY NOR REPRODUCED, TRANSFERRED OR INCORPORATED IN ANY OTHER PROJECT IN ANY MANNER WITHOUT THE EXPRESS WRITTEN CONSENT OF SAMTEC, INC.</p>	<p>520 PARK EAST BLVD, NEW ALBANY, IN 47150 PHONE: 812-944-6733 FAX: 812-948-5047 e-Mail: info@SAMTEC.com code: 55322</p>



PROPRIETARY NOTE
 * THIS DOCUMENT CONTAINS CONFIDENTIAL AND PROPRIETARY INFORMATION AND ALL DESIGN, MANUFACTURING, REPRODUCTION, USE, PATENT RIGHTS AND SALES RIGHTS ARE EXPRESSLY RESERVED BY SAMTEC, INC. THIS DOCUMENT SHALL NOT BE DISCLOSED, IN WHOLE OR PART, TO ANY UNAUTHORIZED PERSON OR ENTITY NOR REPRODUCED, TRANSFERRED OR INCORPORATED IN ANY OTHER PROJECT IN ANY MANNER WITHOUT THE EXPRESS WRITTEN CONSENT OF SAMTEC, INC. *

DO NOT SCALE DRAWING

SHEET SCALE: 2.5:1

samtec

520 PARK EAST BLVD, NEW ALBANY, IN 47150
 PHONE: 812-944-6733 FAX: 812-948-5047
 e-Mail: info@SAMTEC.com code: 55322

DESCRIPTION:
 .0500[.635] C.L. DOUBLE ROW EDGE MOUNT SOCKET STRIP

DWG. NO.
QFS-XXX-XX-XX-D-EM2-XX

BY: BRATCHER 01/18/2006 SHEET 2 OF 2