

DO NOT SCALE FROM THIS PRINT

PATENT NUMBERS  
6739884/ 7165994  
7121849

QFSS-XXX-XX.XX-X-D-DP-X-XXX-X-XX

No OF PAIRS  
-016, -032, -048,  
-064, \*-080  
(PER ROW)

LEAD STYLE  
-04.25 (SEE NOTE 9)

PLATING SPECIFICATION  
-L: LIGHT GOLD (USE C-181-04.25-L)  
-H: HEAVY GOLD (USE C-181-04.25-H)  
(ALL PLATING STYLES USE  
SH2-01-L & T-1G20-04.25-L)

ROW SPECIFICATION  
-D: DOUBLE  
  
-DP: DIFFERENTIAL PAIRS  
SEE FIG 1 FOR SHIELD  
BEAM CONFIGURATION

\* = NOT TOOLED

PACKAGING  
BLANK: TRAY (SEE NOTE 8)  
-TR: TAPE & REEL PACKAGING (SEE NOTE 10 & 11)  
(-016 THRU -048 W/O OPTIONS -GP OR -PXX)  
(-016 THRU-032 W/ OPTIONS -GP OR -PXX)  
-FR: FULL REEL QTY TAPE & REEL (SEE NOTE 10 & 11)  
(-016 THRU -048 W/O OPTIONS -GP OR -PXX)  
(-016 THRU-032 W/ OPTIONS -GP OR -PXX)

PICK AND PLACE  
-P: PICK AND PLACE PAD  
(USE PPP-51) (SEE FIG 4, SHT 5)

OPTION  
-BM: BLIND MATE SHIELD (USE ASP-126355-02-P-L)  
-GP: GUIDE HOLES  
(SEE FIG 2, SHEET 3)  
[NOT AVAILABLE WITH -PXX]  
-PC4: 4 POWER POS PER END (.062" THICK BOARD)  
(SEE FIG 3, SHEET 4)USE C-79-06-S  
-PC8: 8 POWER POS PER END (.062" THICK BOARD)  
(SEE FIG 3, SHEET 4)USE C-79-06-S  
-PT4: 4 POWER POS PER END (.093" THICK BOARD)  
(SEE FIG 3, SHEET 4)USE C-79-09-S  
-PT8: 8 POWER POS PER END (.093" THICK BOARD)  
(SEE FIG 3, SHEET 4)USE C-79-09-S  
**[-PXX NOT AVAILABLE WITH -GP AND - A]  
[-PXX AVAILABLE ON POSITIONS  
-016, -032 & -048 ONLY]**


ALIGNMENT  
-A: ALIGNMENT PIN  
[NOT AVAILABLE WITH -PXX]

TABLE 1		
No OF POSITIONS	No OF BANKS	COPLANARITY
-016 THRU -048	1 THRU 3	.004[.10]
-064 AND -080	4 AND 5	.006[.15]

NOTES:

1. Ⓢ REPRESENTS A CRITICAL DIMENSION.
2. MAXIMUM BURR ALLOWANCE: .0015 [0.038]
3. MINIMUM PUSHOUT FORCE: SIGNAL: .5 LB, SHIELD/GROUND: 1 LB, POWER: .5 LB.
4. DO NOT SHEAR CONTACTS SHOWN.
5. MAXIMUM VARIANCE: .002 [0.05].
6. DIMENSION APPLIES TO CONTACTS & GROUND PLANE.
7. GROUND PLANE PRESS HEIGHT MUST BE .003 [0.08] LESS THAN THE MAXIMUM HEIGHT OR .001 [0.03] GREATER THAN THE MINIMUM HEIGHT OF THE TERMINAL.
8. PARTS TO BE PACKAGED IN TRAYS AS STANDARD.
9. LEADSTYLE -01 MAY BE SUBSTITUED IN PART CALLOUT FOR -04.25.
10. ORDERS WILL BE PACKAGED ACCORDING TO THE SAMTEC PACKAGING EFFICIENCY STANDARDS (SPES) FOUND ON WWW.SAMTEC.COM
11. ATTACH LABEL -4X2 TO EACH REEL.

F:\dwg\sw\exisprod\assembly\pt635mm\QFSS-XXX-XX.XX-X-D-DP-X-XXX-X-XX-ASM.SLDDRW

UNLESS OTHERWISE SPECIFIED, DIMENSIONS ARE IN INCHES.	<p><b>PROPRIETARY NOTE</b></p> <p>THIS DOCUMENT CONTAINS CONFIDENTIAL AND PROPRIETARY INFORMATION AND ALL DESIGN, MANUFACTURING, REPRODUCTION, USE, PATENT RIGHTS AND SALES RIGHTS ARE EXPRESSLY RESERVED BY SAMTEC, INC. THIS DOCUMENT SHALL NOT BE DISCLOSED, IN WHOLE OR PART, TO ANY UNAUTHORIZED PERSON OR ENTITY NOR REPRODUCED, TRANSFERRED OR INCORPORATED IN ANY OTHER PROJECT IN ANY MANNER WITHOUT THE EXPRESS WRITTEN CONSENT OF SAMTEC, INC.</p>	 <p>520 PARK EAST BLVD, NEW ALBANY, IN 47150 PHONE: 812-944-6733 FAX: 812-948-5047 e-Mail info@SAMTEC.com code 55322</p>
<p>TOLERANCES ARE:</p> <p>DECIMALS ANGLES</p> <p>.XX: ±.01 [0.3] 2°</p> <p>.XXX: ±.005 [0.13]</p> <p>.XXXX: ±.0020 [0.051]</p>	<p>MATERIAL: DO NOT SCALE DRAWING SHEET SCALE: 2.5:1</p> <p>INSULATOR: VECTRA E130, COLOR: BLACK</p> <p>TERMINAL, GROUND PLANE, &amp; SHIELD: PHOS BRONZE:</p>	
<p>DESCRIPTION: .635mm DIFFERENTIAL PAIRS SHIELDED TERMINAL STRIP</p> <p>DWG. NO. QFSS-XXX-XX.XX-X-D-DP-X-XXX-X-XX</p>		<p>BY: BRATCHER 08/26/2003 SHEET 1 OF 5</p>

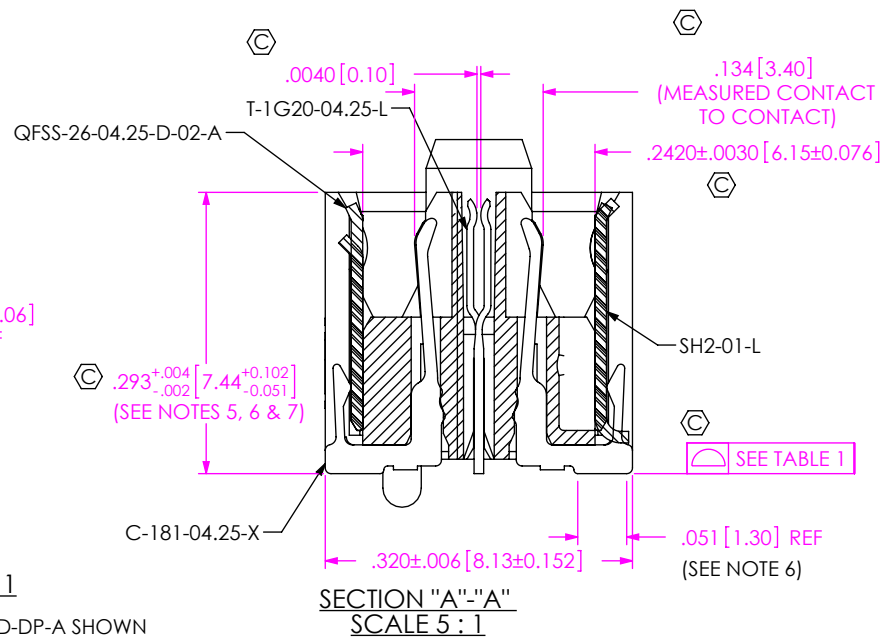
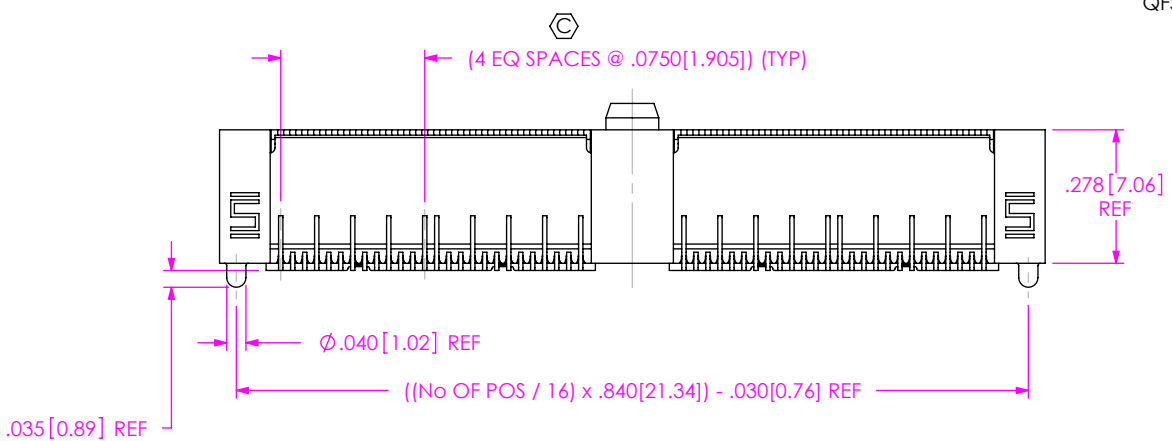
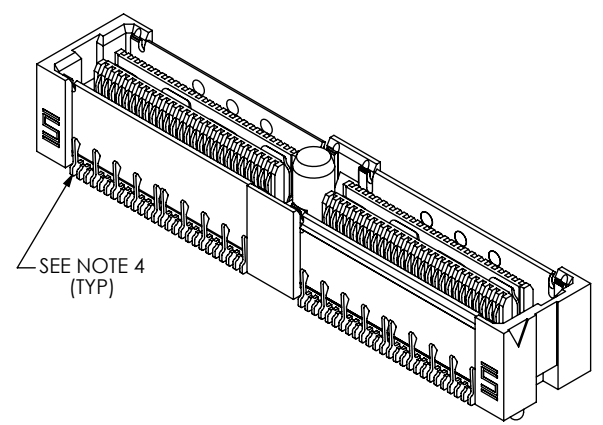
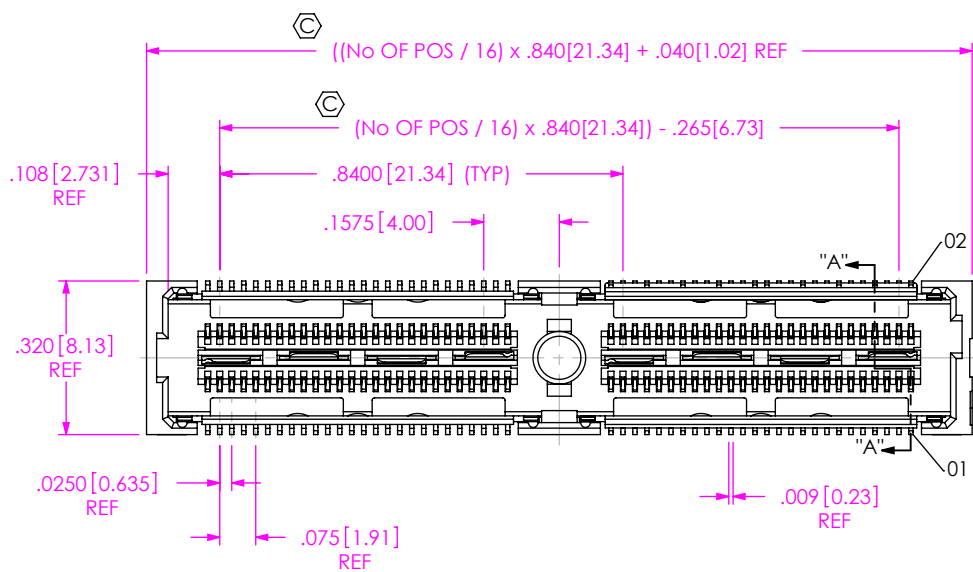
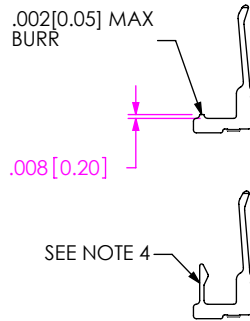
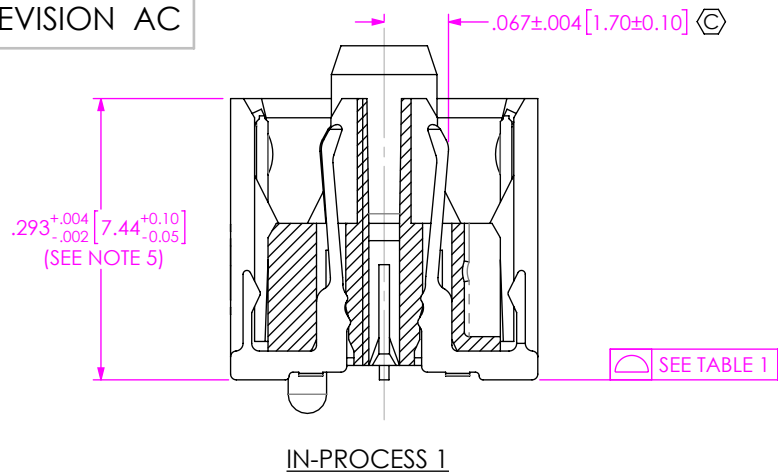


FIG 1  
QFSS-032-04.25-X-D-DP-A SHOWN

<p><b>PROPRIETARY NOTE</b></p> <p>THIS DOCUMENT CONTAINS CONFIDENTIAL AND PROPRIETARY INFORMATION AND ALL DESIGN, MANUFACTURING, REPRODUCTION, USE, PATENT RIGHTS AND SALES RIGHTS ARE EXPRESSLY RESERVED BY SAMTEC, INC. THIS DOCUMENT SHALL NOT BE DISCLOSED, IN WHOLE OR PART, TO ANY UNAUTHORIZED PERSON OR ENTITY NOR REPRODUCED, TRANSFERRED OR INCORPORATED IN ANY OTHER PROJECT IN ANY MANNER WITHOUT THE EXPRESS WRITTEN CONSENT OF SAMTEC, INC.</p>	<p><b>samtec</b></p> <p>520 PARK EAST BLVD, NEW ALBANY, IN 47150                  PHONE: 812-944-6733 FAX: 812-948-5047                  e-Mail info@SAMTEC.com code 55322</p>
	<p>DESCRIPTION:                  .635mm DIFFERENTIAL PAIRS SHIELDED TERMINAL STRIP</p>
<p>SHEET SCALE: 2.5:1</p>	<p>DWG. NO.                  QFSS-XXX-XX.XX-X-D-DP-X-XXX-X-XX</p>
<p>F:\dwg\sw\exisprod\assembly\pt635mm\QFSS-XXX-XX.XX-X-D-DP-X-XXX-X-XX-ASM.SLD.DWG</p>	<p>BY: BRATCHER 08/26/2003 SHEET 2 OF 5</p>



CONTACT DETAILS

**TABLE 2**

ASSEMBLY	"A"	"B"
QFSS-016-04.25-X-D-DP-A-GP	1.050 [26.67]	1.330 [33.78]
QFSS-032-04.25-X-D-DP-A-GP	1.890 [48.00]	2.170 [55.12]
QFSS-048-04.25-X-D-DP-A-GP	2.730 [69.34]	3.010 [76.45]
QFSS-064-04.25-X-D-DP-A-GP	3.570 [90.68]	3.850 [97.79]
QFSS-080-04.25-X-D-DP-A-GP	4.410 [112.01]	4.690 [119.13]

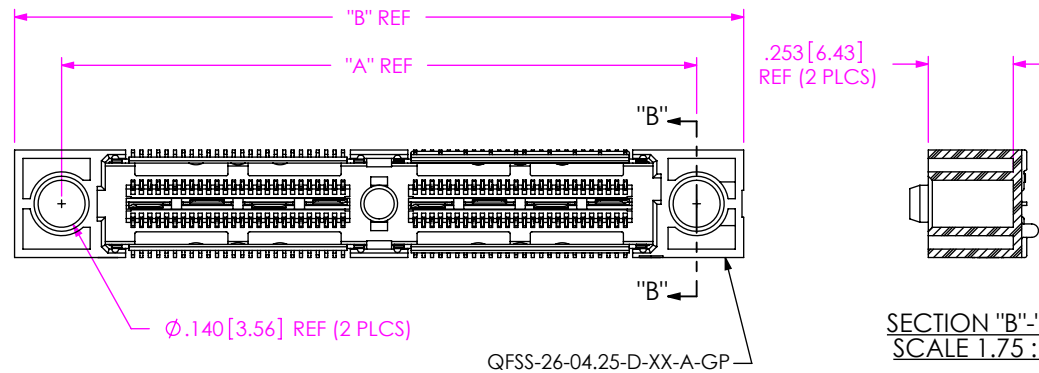
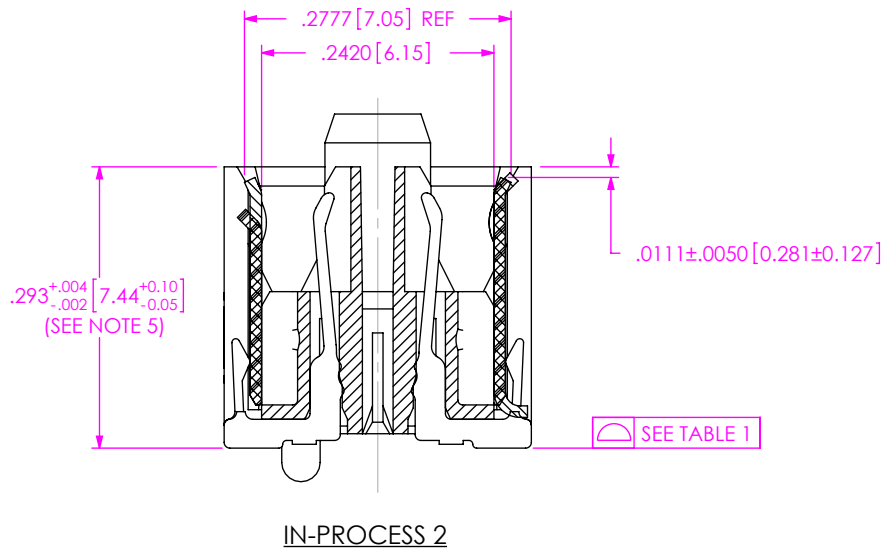


FIG 2  
-GP: GUIDE HOLE OPTION  
(QFSS-032-04.25-X-D-DP-A-GP SHOWN)  
(NOT AVAILABLE WITH -PXX OPTIONS)

PROPRIETARY NOTE

THIS DOCUMENT CONTAINS CONFIDENTIAL AND PROPRIETARY INFORMATION AND ALL DESIGN, MANUFACTURING, REPRODUCTION, USE, PATENT RIGHTS AND SALES RIGHTS ARE EXPRESSLY RESERVED BY SAMTEC, INC. THIS DOCUMENT SHALL NOT BE DISCLOSED, IN WHOLE OR PART, TO ANY UNAUTHORIZED PERSON OR ENTITY NOR REPRODUCED, TRANSFERRED OR INCORPORATED IN ANY OTHER PROJECT IN ANY MANNER WITHOUT THE EXPRESS WRITTEN CONSENT OF SAMTEC, INC.

DO NOT SCALE DRAWING

SHEET SCALE: 2.5:1

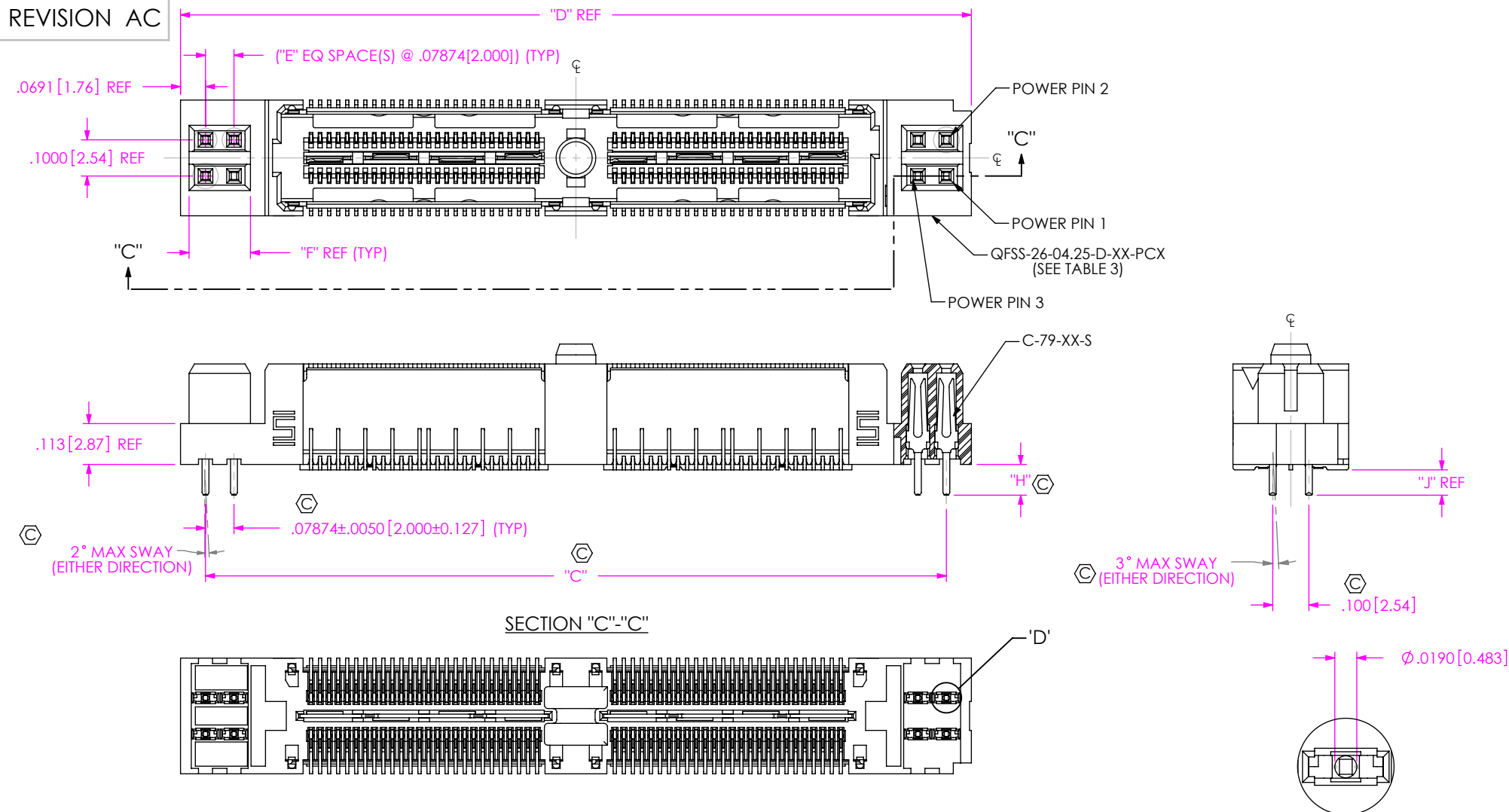


520 PARK EAST BLVD, NEW ALBANY, IN 47150  
PHONE: 812-944-6733 FAX: 812-948-5047  
e-Mail info@SAMTEC.com code 55322

DESCRIPTION:  
.635mm DIFFERENTIAL PAIRS SHIELDED TERMINAL STRIP

DWG. NO.  
QFSS-XXX-XX.XX-X-D-DP-X-XXX-X-XX

BY: BRATCHER 08/26/2003 SHEET 3 OF 5



SECTION "C"-"C"

**FIG 3**  
 POWER COMBO OPTIONS  
 (QFSS-032-04.25-X-D-DP-PC4 SHOWN)  
 (SAME AS FIG 1, UNLESS OTHERWISE STATED)  
 (NOT AVAILABLE WITH -GP AND -A OPTIONS)  
 [AVAILABLE ON -016, -032 & -048 POSITIONS ONLY]

**DETAIL 'D'**  
 SCALE 8 : 1

**TABLE 4**

POWER OPTION	CONTACT	"H"	"J"
PC4/PC8	C-79-06-S	.085 [2.16]	.070 [1.78]
PT4/PT8	C-79-09-S	.125 [3.18]	.110 [2.79]

**TABLE 3**

ASSEMBLY	QFSS-26-04.25-D-XX-PCX	"C"	"D"	"E"	"F"
QFSS-016-04.25-X-D-DP-X-PX4	QFSS-26-04.25-D-01-PC4	1.209[30.70]	1.347[34.21]	1	.170[4.31]
QFSS-016-04.25-X-D-DP-X-PX8	QFSS-26-04.25-D-01-PC8	1.524[38.70]	1.662[42.21]	3	.327[8.31]
QFSS-032-04.25-X-D-DP-X-PX4	QFSS-26-04.25-D-02-PC4	2.049[52.04]	2.187[55.55]	1	.170[4.31]
QFSS-032-04.25-X-D-DP-X-PX8	QFSS-26-04.25-D-02-PC8	2.364[60.04]	2.502[63.55]	3	.327[8.31]
QFSS-048-04.25-X-D-DP-X-PX4	QFSS-26-04.25-D-03-PC4	2.889[73.37]	3.027[76.89]	1	.170[4.31]
QFSS-048-04.25-X-D-DP-X-PX8	QFSS-26-04.25-D-03-PC8	3.204[81.37]	3.342[84.89]	3	.327[8.31]

**PROPRIETARY NOTE**  
 THIS DOCUMENT CONTAINS CONFIDENTIAL AND PROPRIETARY INFORMATION AND ALL DESIGN, MANUFACTURING, REPRODUCTION, USE, PATENT RIGHTS AND SALES RIGHTS ARE EXPRESSLY RESERVED BY SAMTEC, INC. THIS DOCUMENT SHALL NOT BE DISCLOSED, IN WHOLE OR PART, TO ANY UNAUTHORIZED PERSON OR ENTITY NOR REPRODUCED, TRANSFERRED OR INCORPORATED IN ANY OTHER PROJECT IN ANY MANNER WITHOUT THE EXPRESS WRITTEN CONSENT OF SAMTEC, INC.

DO NOT SCALE DRAWING  
 SHEET SCALE: 2.5:1

**samtec**

520 PARK EAST BLVD., NEW ALBANY, IN 47150  
 PHONE: 812-944-6733 FAX: 812-948-5047  
 e-Mail info@SAMTEC.com code 55322

DESCRIPTION:  
 .635mm DIFFERENTIAL PAIRS SHIELDED TERMINAL STRIP

DWG. NO.  
 QFSS-XXX-XX.XX-X-D-DP-X-XXX-X-XX

BY: BRATCHER 08/26/2003 SHEET 4 OF 5

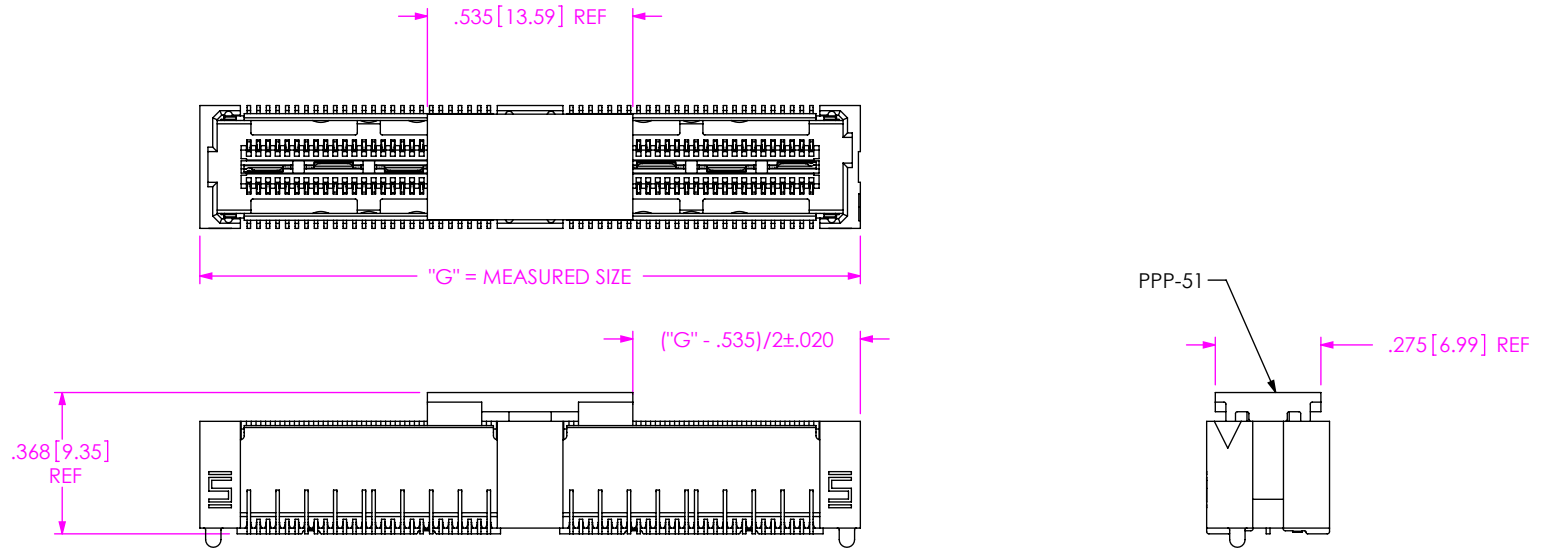


FIG 4

-P: PICK AND PLACE PAD OPTION  
 (QFSS-032-04.25-X-D-DP-P SHOWN)  
 (SAME AS FIG 1, UNLESS OTHERWISE STATED)  
 [USE PPP-51]

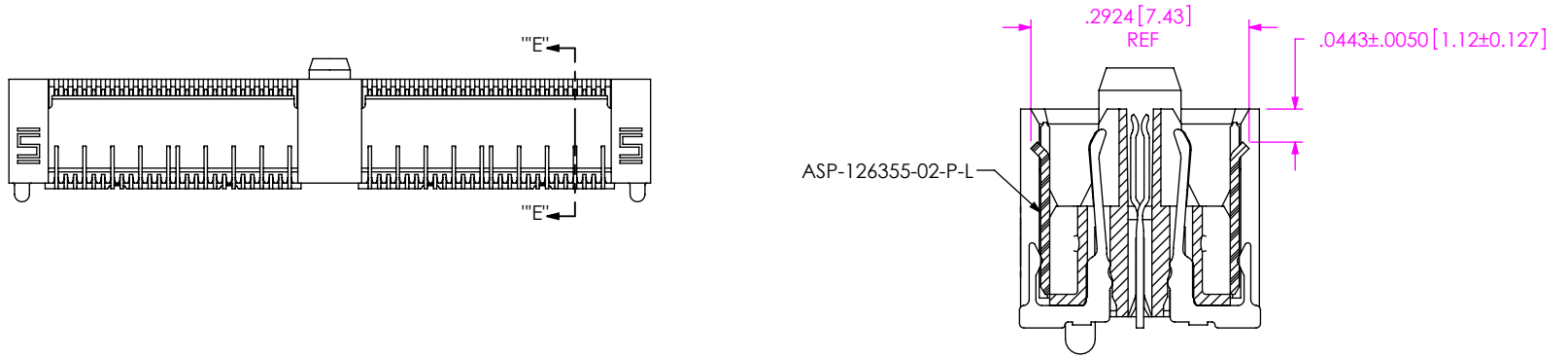


FIG 5

-BM: BLIND MATE SHIELD OPTION  
 (QFSS-032-04.25-X-D-DP-A-BM SHOWN)  
 (SAME AS FIG 1, UNLESS OTHERWISE STATED)

SECTION "E"-"E"  
 SCALE 4 : 1

**PROPRIETARY NOTE**  
 THIS DOCUMENT CONTAINS CONFIDENTIAL AND PROPRIETARY INFORMATION AND ALL DESIGN, MANUFACTURING, REPRODUCTION, USE, PATENT RIGHTS AND SALES RIGHTS ARE EXPRESSLY RESERVED BY SAMTEC, INC. THIS DOCUMENT SHALL NOT BE DISCLOSED, IN WHOLE OR PART, TO ANY UNAUTHORIZED PERSON OR ENTITY NOR REPRODUCED, TRANSFERRED OR INCORPORATED IN ANY OTHER PROJECT IN ANY MANNER WITHOUT THE EXPRESS WRITTEN CONSENT OF SAMTEC, INC.

DO NOT SCALE DRAWING

SHEET SCALE: 2.5:1



520 PARK EAST BLVD, NEW ALBANY, IN 47150  
 PHONE: 812-944-6733 FAX: 812-948-5047  
 e-Mail info@SAMTEC.com code 55322

DESCRIPTION:  
 .635mm DIFFERENTIAL PAIRS SHIELDED TERMINAL STRIP  
 DWG. NO.

QFSS-XXX-XX.XX-X-D-DP-X-XXX-X-XX

BY: BRATCHER 08/26/2003 SHEET 5 OF 5