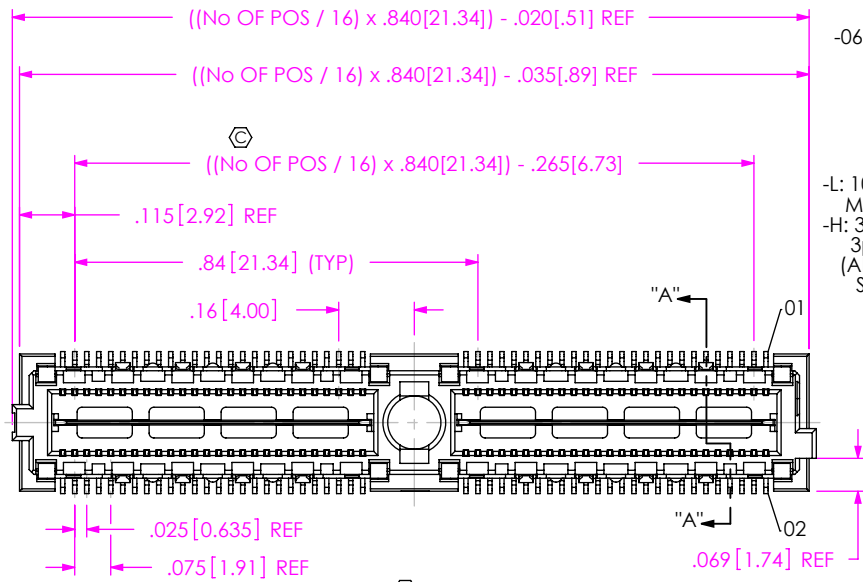


DO NOT SCALE FROM THIS PRINT

QMSS-XXX-XX.XX-X-D-DP-X-XXX-X-XX



No OF PAIRS
-016, -032, -048, -064, * -080 (PER ROW)

LEAD STYLE
-06.75 (SEE FIG 1, SEE NOTE 9)

PLATING SPECIFICATION
-L: 10μ" LIGHT GOLD IN CONTACT AREA
MATTE TIN ON TAIL (USE T-1M19-06.75-L)
-H: 30μ" HEAVY GOLD IN CONTACT AREA
3μ" GOLD ON TAIL (USE T-1M19-06.75-H)
(ALL PLATING STYLES USE SH1-XX-L & T-1G19-06.75-L)

ROW SPECIFICATION
-D: DOUBLE

-DP: DIFFERENTIAL PAIRS
SEE FIG 1 FOR SHIELD BEAM CONFIGURATION

OPTION
**-A: ALIGNMENT PIN

* = NOT TOOLED
** = NOT AVAILABLE WITH PXX OPTION

PACKAGING
BLANK: TRAY (SEE NOTES 8 & 10)
-TR: TAPE & REEL (SEE NOTES 10 & 11)
-FR: FULL REEL QTY TAPE & REEL (SEE NOTES 10 & 11)
(-TR & -FR AVAILABLE FOR:
-016 THRU -048 WITHOUT OPTIONS
-GP OR -PXX, -016 THRU -032 WITH OPTIONS -GP OR -PXX)

PICK & PLACE OPTION
**-K: POLYIMIDE FILM (USE K-DOT-.217-.313-.005, SEE FIG 2, SHT 2)

OPTION
**-GP: GUIDE POSTS (SEE FIG 3, SHEET 2)
-PC4: POWER COMBO 4 (.062" THICK BOARD) (SEE FIG 4, SHEET 3)
-PC8: POWER COMBO 8 (.062" THICK BOARD) (SEE FIG 4, SHEET 3)
-PT4: POWER COMBO 4 (.093" THICK BOARD) (SEE FIG 4, SHEET 3)
-PT8: POWER COMBO 8 (.093" THICK BOARD) (SEE FIG 4, SHEET 3)

**[-PXX NOT AVAILABLE WITH -GP, -A, -K]
[-PXX AVAILABLE ON POSITIONS -016, -032 & -048 ONLY AND ON LEAD STYLE -06.75 ONLY]**

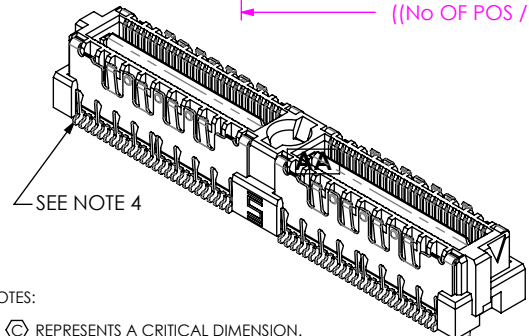
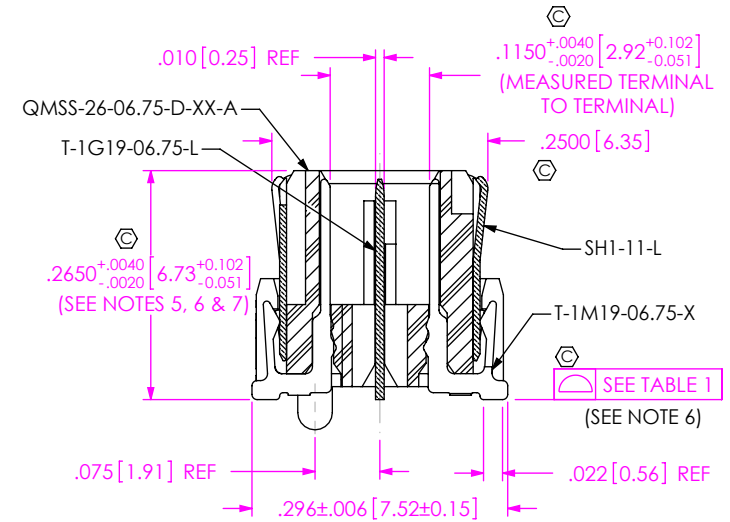
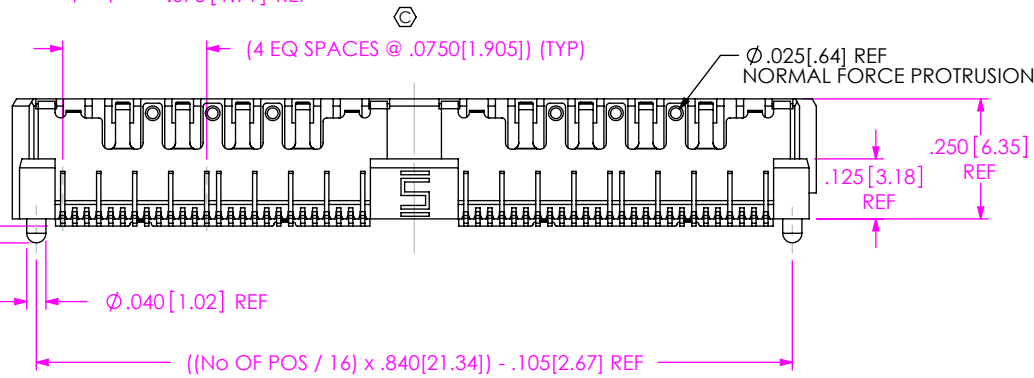


FIG 1
-06.75 LEAD STYLE
(QMSS-032-06.75-X-D-DP-A SHOWN)
(MATED HEIGHT WITH QFSS-04.25: .433 [11.00] REF)

TABLE 1		
No OF PAIRS	No OF BANKS	COPLANARITY
-016 THRU -048	1 THRU 3	.004[.10]
-064 AND -080	4 AND 5	.006[.15]

SECTION "A"- "A"
SCALE 4.5 : 1

NOTES:

- ⊕ REPRESENTS A CRITICAL DIMENSION.
- MAXIMUM BURR ALLOWANCE: .0015 [0.38]
- MINIMUM PUSHOUT FORCE: SIGNAL: .5 LB. SHIELD/GROUND: 1 LB. POWER: .5 LB.
- DO NOT SHEAR TERMINALS SHOWN; THESE UNSHEARED TERMINALS ARE NOT CONSIDERED IN THE NUMBER OF POSITIONS IN THE CALLOUT BECAUSE THEY ARE GROUNDED TO THE SHIELDS.
- MAXIMUM VARIANCE: .002 [0.05]
- DIMENSION APPLIES TO CONTACTS & GROUND PLANE.
- GROUND PLANE PRESS HEIGHT MUST BE .003[.08] LESS THAN THE MAXIMUM HEIGHT OR .001[.03] GREATER THAN THE MINIMUM HEIGHT OF THE TERMINALS.
- TRAYS ARE STANDARD PACKAGING.
- LEAD STYLE -11 MAY BE SUBSTITUTED IN PART CALLOUT FOR -06.75 FOR EXISTING CUSTOMERS ONLY.
- ORDERS WILL BE PACKAGED ACCORDING TO THE SAMTEC PACKAGING EFFICIENCY STANDARDS (SPES) FOUND ON WWW.SAMTEC.COM.
- ATTACH LABEL TO EACH REEL.

UNLESS OTHERWISE SPECIFIED, DIMENSIONS ARE IN INCHES.
TOLERANCES ARE:
DECIMALS ANGLES
.XX: ±.01 [.3] 2°
.XXX: ±.005 [.13]
.XXXX: ±.0020 [.051]

PROPRIETARY NOTE
THIS DOCUMENT CONTAINS CONFIDENTIAL AND PROPRIETARY INFORMATION AND ALL DESIGN, MANUFACTURING, REPRODUCTION, USE, PATENT RIGHTS AND SALES RIGHTS ARE EXPRESSLY RESERVED BY SAMTEC, INC. THIS DOCUMENT SHALL NOT BE DISCLOSED, IN WHOLE OR PART, TO ANY UNAUTHORIZED PERSON OR ENTITY NOR REPRODUCED, TRANSFERRED OR INCORPORATED IN ANY OTHER PROJECT IN ANY MANNER WITHOUT THE EXPRESS WRITTEN CONSENT OF SAMTEC, INC.

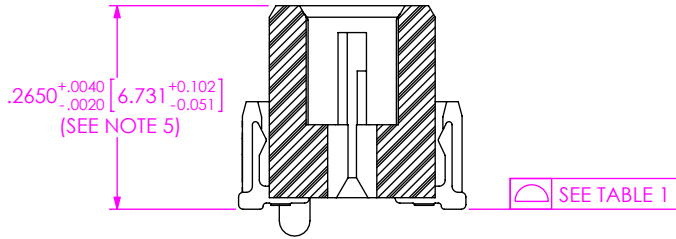
MATERIAL: DO NOT SCALE DRAWING SHEET SCALE: 2.5:1
INSULATOR: LCP, COLOR: BLACK
TERMINAL, GROUND PLANE, & SHIELD: PHOS BRONZE

DESCRIPTION:
.635mm DIFFERENTIAL PAIRS SHIELDED TERMINAL STRIP
DWG. NO.:
QMSS-XXX-XX.XX-X-D-DP-X-XXX-X-XX
BY: BRATCHER 08/12/03 **SHEET 1 OF 3**

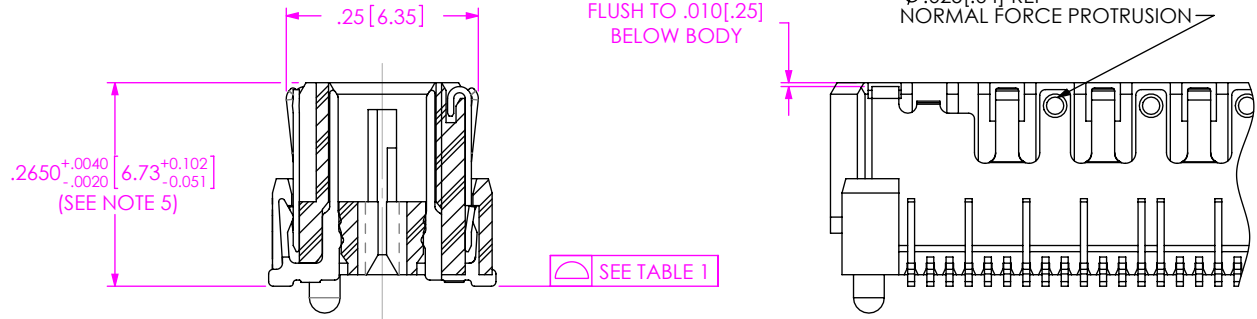


520 PARK EAST BLVD. NEW ALBANY, IN 47150
PHONE: 812-944-6733 FAX: 812-948-5047
e-Mail: info@SAMTEC.com code: 55322

IN-PROCESS 1



IN-PROCESS 2



TERMINAL DETAILS

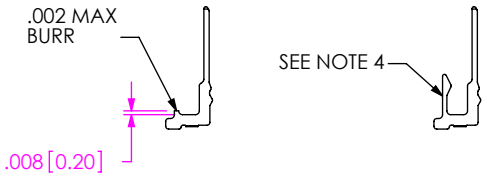


FIG 3

-GP: GUIDE POST OPTION
(QMSS-032-06.75-X-D-DP-A-GP SHOWN)

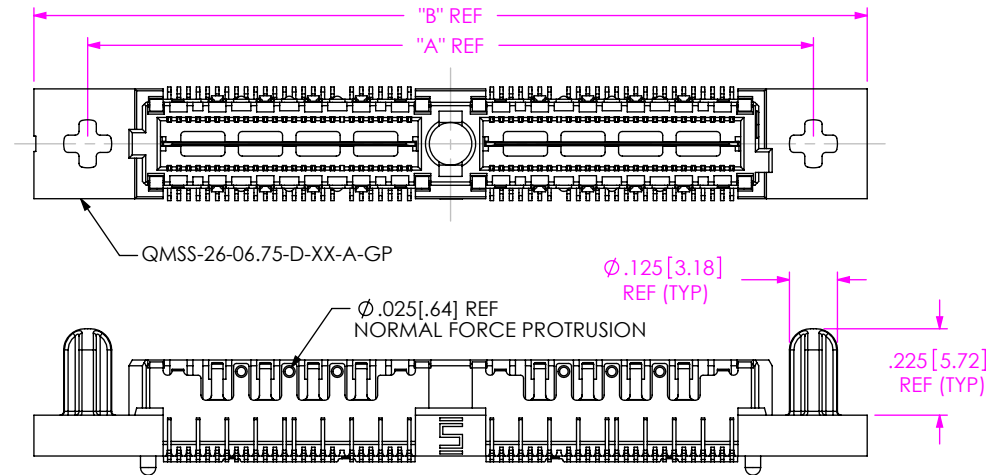


FIG 2

-K: POLYIMIDE FILM
(USE K-DOT .217-.313-.005, NOT APPROVED FOR VISION INTEGRATED KAPTON APPLICATION)
(QMSS-032-06.75-X-D-DP-A-K SHOWN)

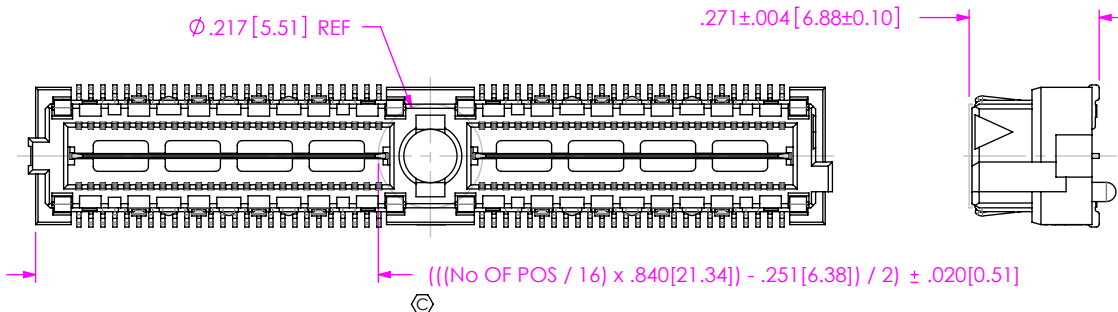


TABLE 2

ASSEMBLY	"A"	"B"
QMSS-016-06.75-X-D-GP	1.050 [26.67]	1.330 [33.78]
QMSS-032-06.75-X-D-GP	1.890 [48.00]	2.170 [55.12]
QMSS-048-06.75-X-D-GP	2.730 [69.34]	3.010 [76.45]
QMSS-064-06.75-X-D-GP	3.570 [90.68]	3.850 [97.79]
QMSS-080-06.75-X-D-GP	4.410 [112.01]	4.690 [119.13]

PROPRIETARY NOTE

THIS DOCUMENT CONTAINS CONFIDENTIAL AND PROPRIETARY INFORMATION AND ALL DESIGN, MANUFACTURING, REPRODUCTION, USE, PATENT RIGHTS AND SALES RIGHTS ARE EXPRESSLY RESERVED BY SAMTEC, INC. THIS DOCUMENT SHALL NOT BE DISCLOSED, IN WHOLE OR PART, TO ANY UNAUTHORIZED PERSON OR ENTITY NOR REPRODUCED, TRANSFERRED OR INCORPORATED IN ANY OTHER PROJECT IN ANY MANNER WITHOUT THE EXPRESS WRITTEN CONSENT OF SAMTEC, INC.

DO NOT SCALE DRAWING

SHEET SCALE: 2.5:1



520 PARK EAST BLVD, NEW ALBANY, IN 47150
PHONE: 812-944-6733 FAX: 812-948-5047
e-Mail: info@SAMTEC.com code: 55322

DESCRIPTION:
.635mm DIFFERENTIAL PAIRS SHIELDED TERMINAL STRIP

DWG. NO.
QMSS-XXX-XX.XX-X-D-DP-X-XXX-X-XX

BY: BRATCHER 08/12/03 SHEET 2 OF 3

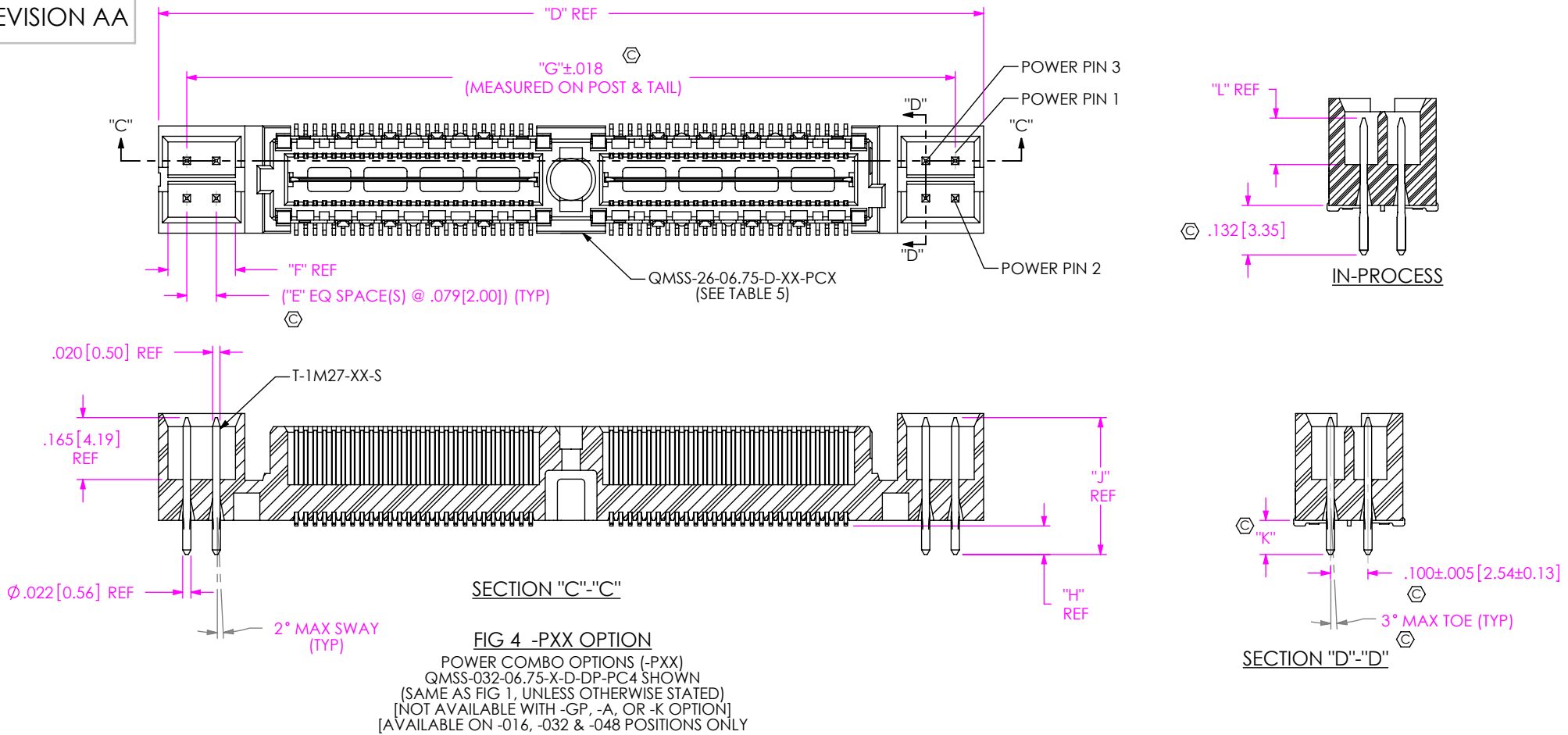


FIG 4 -PXX OPTION
 POWER COMBO OPTIONS (-PXX)
 QMSS-032-06.75-X-D-DP-PC4 SHOWN
 (SAME AS FIG 1, UNLESS OTHERWISE STATED)
 [NOT AVAILABLE WITH -GP, -A, OR -K OPTION]
 [AVAILABLE ON -016, -032 & -048 POSITIONS ONLY]

TABLE 5

ASSEMBLY	BODY	"D"	"E"	"F"	"G"
QMSS-016-06.75-X-DP-X-PX4	QMSS-26-06.75-D-01-PC4	1.360[34.54]	1	.180[4.57]	1.209[30.71]
QMSS-016-06.75-X-DP-X-PX8	QMSS-26-06.75-D-01-PC8	1.675[42.55]	3	.337[8.56]	1.524[38.71]
QMSS-032-06.75-X-DP-X-PX4	QMSS-26-06.75-D-02-PC4	2.200[55.88]	1	.180[4.57]	2.049[52.04]
QMSS-032-06.75-X-DP-X-PX8	QMSS-26-06.75-D-02-PC8	2.515[63.88]	3	.337[8.56]	2.364[60.05]
QMSS-048-06.75-X-DP-X-PX4	QMSS-26-06.75-D-03-PC4	3.040[77.22]	1	.180[4.57]	2.889[73.38]
QMSS-048-06.75-X-DP-X-PX8	QMSS-26-06.75-D-03-PC8	3.355[85.22]	3	.337[8.56]	3.204[81.38]

TABLE 6

POWER OPTION	TERMINAL	"H"	"J"	"K"	"L"
PC4 / PC8	T-1M27-01-S	.071[1.80]	.365[9.27]	.086[2.18]	.124[3.15]
PT4 / PT8	T-1M27-03-S	.110[2.79]	.400[10.16]	.125[3.18]	.159[4.04]

PROPRIETARY NOTE
 THIS DOCUMENT CONTAINS CONFIDENTIAL AND PROPRIETARY INFORMATION AND ALL DESIGN, MANUFACTURING, REPRODUCTION, USE, PATENT RIGHTS AND SALES RIGHTS ARE EXPRESSLY RESERVED BY SAMTEC, INC. THIS DOCUMENT SHALL NOT BE DISCLOSED, IN WHOLE OR PART, TO ANY UNAUTHORIZED PERSON OR ENTITY NOR REPRODUCED, TRANSFERRED OR INCORPORATED IN ANY OTHER PROJECT IN ANY MANNER WITHOUT THE EXPRESS WRITTEN CONSENT OF SAMTEC, INC.

DO NOT SCALE DRAWING
 SHEET SCALE: 2.5:1



520 PARK EAST BLVD, NEW ALBANY, IN 47150
 PHONE: 812-944-6733 FAX: 812-948-5047
 e-Mail: info@SAMTEC.com code: 55322

DESCRIPTION:
 .635mm DIFFERENTIAL PAIRS SHIELDED TERMINAL STRIP

DWG. NO.
 QMSS-XXX-XX.XX-X-D-DP-X-XXX-X-XX