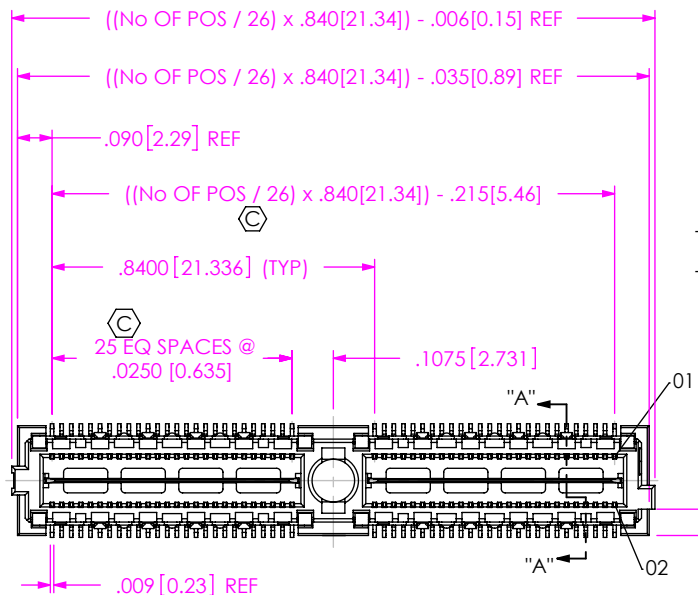


DO NOT SCALE FROM THIS PRINT

QMSS-XXX-XX.XX-X-D-X-XXX-X-XX



No OF POSITIONS
 -026, -052, -078, -104, *-130 (PER ROW)

LEAD STYLE (SEE NOTE 9)
 -06.75 (SEE FIG 1)

PLATING SPECIFICATION
 -L: 10 μ " LIGHT GOLD IN CONTACT AREA, MATTE TIN ON TAIL (USE T-1M19-06.75-L)
 -H: 30 μ " HEAVY GOLD IN CONTACT AREA, 3 μ " GOLD ON TAIL (USE T-1M19-06.75-H) (ALL PLATING STYLES USE SH1-XX-L & T-1G19-06.75-L)

ROW SPECIFICATION
 -D: DOUBLE

OPTION
 ***-A: ALIGNMENT PIN

* = NOT TOOLED
 *** = NOT AVAILABLE WITH PXX OPTION

PACKAGING
 BLANK: TRAY (SEE NOTES 8 & 10)
 -TR: TAPE & REEL (SEE NOTES 10 & 11)
 -FR: FULL REEL QTY TAPE & REEL (SEE NOTES 10 & 11)
 (-TR & -FR PACKAGING AVAILABLE FOR: -026 THRU -078 WITHOUT OPTIONS -GP OR -PXX, -026 THRU -052 WITH OPTIONS -GP OR -PXX)

PICK & PLACE OPTION
 ***-K: POLYIMIDE FILM (USE K-DOT-.217-.313-.005, SEE FIG 2, SHT 2)

OPTION
 ***-GP: GUIDE POSTS (SEE FIG 3, SHEET 2) [NOT AVAILABLE WITH -PCX]
 -PC4: POWER COMBO 4 (.062" THICK BOARD) (SEE FIG 4, SHEET 3)(USE T-1M27-01-S)
 -PC8: POWER COMBO 8 (.062" THICK BOARD) (SEE FIG 4, SHEET 3)(USE T-1M27-01-S)
 -PT4: POWER COMBO 4 (.093" THICK BOARD) (SEE FIG 4, SHEET 3)(USE T-1M27-03-S)
 -PT8: POWER COMBO 8 (.093" THICK BOARD) (SEE FIG 4, SHEET 3)(USE T-1M27-03-S)

**[-PXX NOT AVAILABLE WITH -GP, -A OR -K]
 [-PXX AVAILABLE ON POSITIONS -026, -052 & -078 ONLY AND ON LEAD STYLE -06.75 ONLY]**

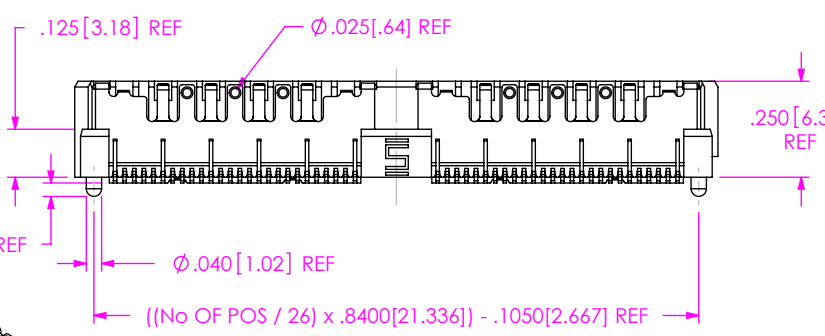
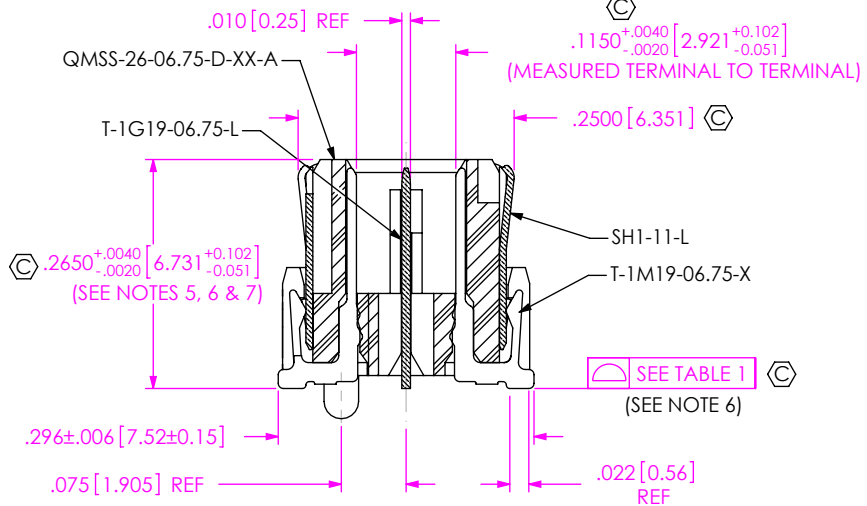


FIG 1
 -06.75 LEAD STYLE
 (QMSS-052-06.75-X-D-A SHOWN)
 (MATED HEIGHT WITH QFSS-04.25: .433[11.00] REF)

TABLE 1		
No OF POSITIONS	No OF BANKS	COPLANARITY
-026	01	.004[0.10]
-052 THRU -130	2 THRU 5	.006[0.15]

- NOTES:
- ⊕ REPRESENTS A CRITICAL DIMENSION.
 - MAXIMUM BURR ALLOWANCE: $.0015[0.038]$
 - MINIMUM PUSHOUT FORCE: SIGNAL: .5 LB, SHIELD/GROUND: 1 LB, POWER: .5 LB.
 - TERMINALS IN THE FIRST ROW OF EACH BANK AND EVERY FIFTH ROW AFTER THAT WILL NOT BE SHEARED.
 - MAXIMUM VARIANCE: $.002[0.05]$
 - DIMENSION APPLIES TO CONTACTS & GROUND PLANE.
 - GROUND PLANE PRESS HEIGHT MUST BE $.003[0.08]$ LESS THAN THE MAXIMUM HEIGHT OR $.001[0.03]$ GREATER THAN THE MINIMUM HEIGHT OF THE TERMINALS.
 - TRAYS ARE STANDARD PACKAGING.
 - LEADSTYLE -11 MAY BE SUBSTITUTED IN PART CALLOUT FOR -06.75 FOR EXISTING CUSTOMERS ONLY.
 - ORDERS WILL BE PACKAGED ACCORDING TO THE SAMTEC PACKAGING EFFICIENCY STANDARDS (SPES) FOUND ON WWW.SAMTEC.COM.
 - ATTACH LABEL TO EACH REEL.



SECTION "A"- "A"
 SCALE 4.5 : 1

UNLESS OTHERWISE SPECIFIED, DIMENSIONS ARE IN INCHES. TOLERANCES ARE:

DECIMALS	ANGLES
.XX: $\pm .01[0.3]$	2°
.XXX: $\pm .005[0.13]$	
.XXXX: $\pm .0020[0.051]$	

PROPRIETARY NOTE
 THIS DOCUMENT CONTAINS CONFIDENTIAL AND PROPRIETARY INFORMATION AND ALL DESIGN, MANUFACTURING, REPRODUCTION, USE, PATENT RIGHTS AND SALES RIGHTS ARE EXPRESSLY RESERVED BY SAMTEC, INC. THIS DOCUMENT SHALL NOT BE DISCLOSED, IN WHOLE OR PART, TO ANY UNAUTHORIZED PERSON OR ENTITY NOR REPRODUCED, TRANSFERRED OR INCORPORATED IN ANY OTHER PROJECT IN ANY MANNER WITHOUT THE EXPRESS WRITTEN CONSENT OF SAMTEC, INC.



520 PARK EAST BLVD, NEW ALBANY, IN 47150
 PHONE: 812-944-6733 FAX: 812-948-5047
 e-Mail: info@SAMTEC.com code: 55322

MATERIAL: DO NOT SCALE DRAWING SHEET SCALE: 2:1
 INSULATOR: LCP, COLOR: BLACK
 TERMINAL, GROUND PLANE, & SHIELD: PHOS BRONZE

DESCRIPTION: .635mm DOUBLE ROW SHIELDED TERMINAL STRIP
 DWG. NO. QMSS-XXX-XX.XX-X-D-X-XXX-X-XX

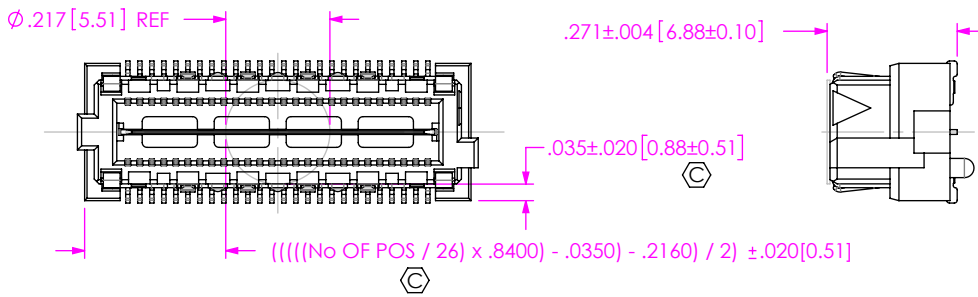
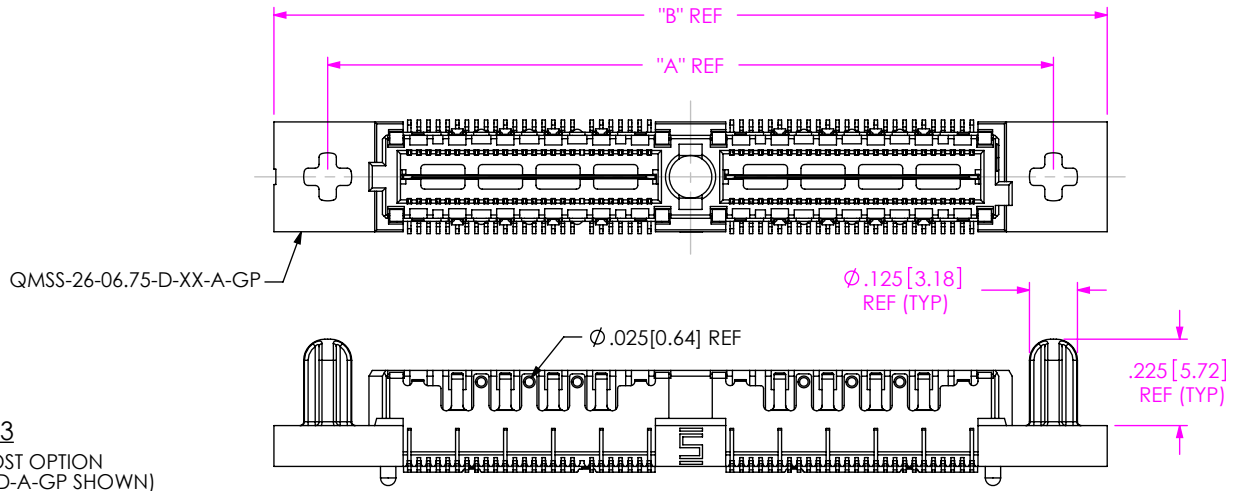
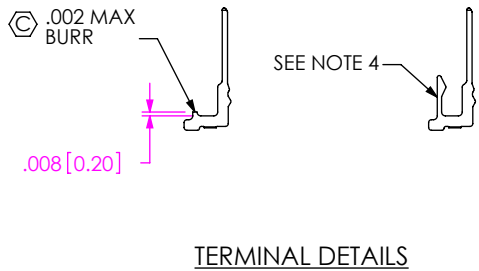
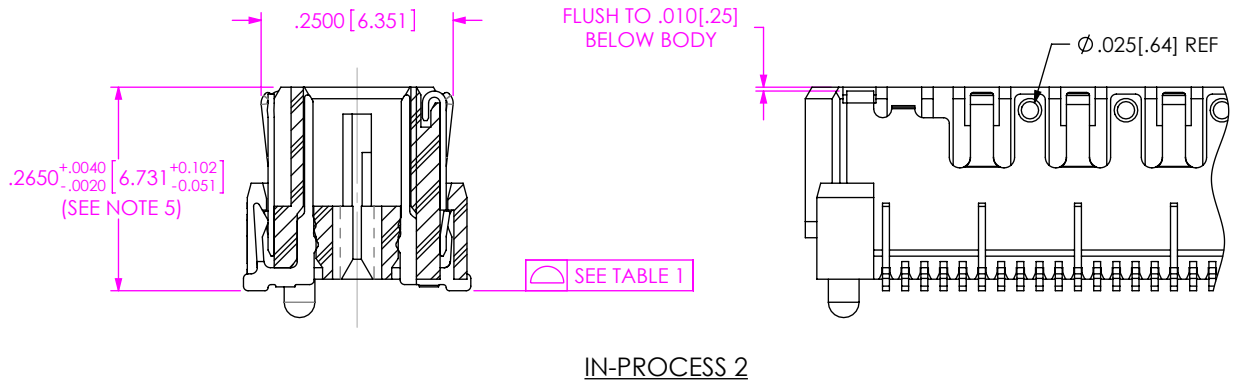
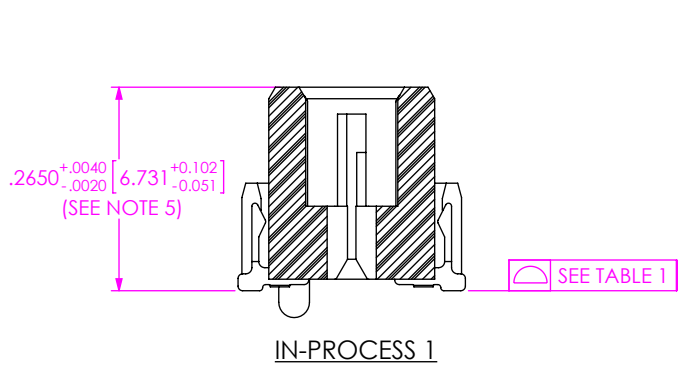


TABLE 2

ASSEMBLY	"A"	"B"
QMSS-026-06.75-X-D-GP	1.050[26.67]	1.330[33.78]
QMSS-052-06.75-X-D-GP	1.890[48.00]	2.170[55.12]
QMSS-078-06.75-X-D-GP	2.730[69.34]	3.010[76.45]
QMSS-104-06.75-X-D-GP	3.570[90.68]	3.850[97.79]
QMSS-130-06.75-X-D-GP	4.410[112.01]	4.690[119.13]

PROPRIETARY NOTE
THIS DOCUMENT CONTAINS CONFIDENTIAL AND PROPRIETARY INFORMATION AND ALL DESIGN, MANUFACTURING, REPRODUCTION, USE, PATENT RIGHTS AND SALES RIGHTS ARE EXPRESSLY RESERVED BY SAMTEC, INC. THIS DOCUMENT SHALL NOT BE DISCLOSED, IN WHOLE OR PART, TO ANY UNAUTHORIZED PERSON OR ENTITY NOR REPRODUCED, TRANSFERRED OR INCORPORATED IN ANY OTHER PROJECT IN ANY MANNER WITHOUT THE EXPRESS WRITTEN CONSENT OF SAMTEC, INC.

DO NOT SCALE DRAWING
SHEET SCALE: 2.5:1



520 PARK EAST BLVD, NEW ALBANY, IN 47150
PHONE: 812-944-6733 FAX: 812-948-5047
e-Mail: info@SAMTEC.com code: 55322

DESCRIPTION:
.635mm DOUBLE ROW SHIELDED TERMINAL STRIP
DWG. NO.
QMSS-XXX-XX.XX-X-D-X-XXX-X-XX
BY: CHAD F 05/23/2002 SHEET 2 OF 3

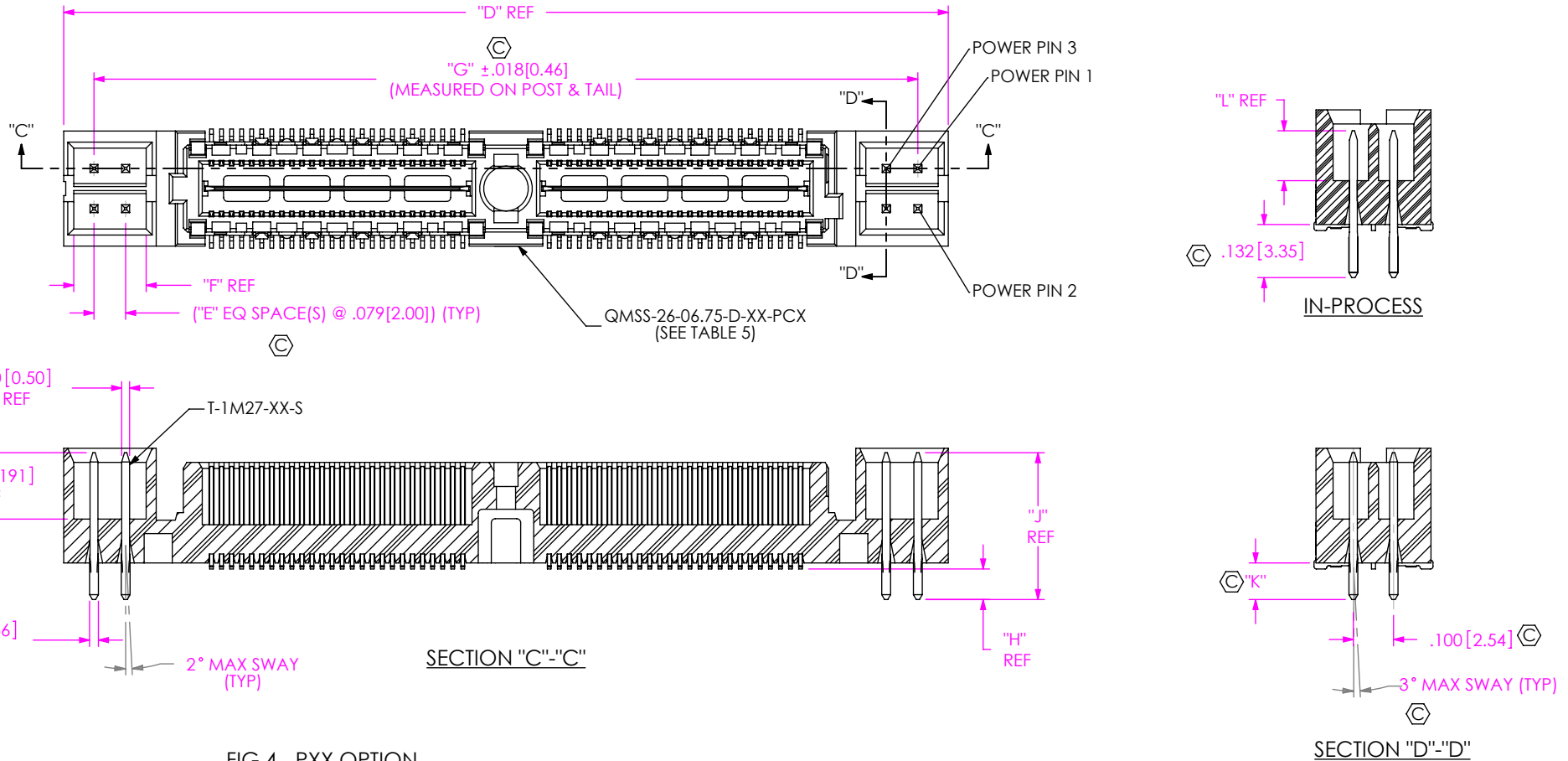


FIG 4 -PXX OPTION
 POWER COMBO OPTIONS (-PXX)
 QMSS-052-06.75-X-D-PC4 SHOWN
 (SAME AS FIG 1, UNLESS OTHERWISE STATED)
 [NOT AVAILABLE WITH -A, -GP, OR -K OPTION]
 [AVAILABLE ON -026, -052 & -078 POSITIONS ONLY]

TABLE 5

ASSEMBLY	BODY	"D"	"E"	"F"	"G"
QMSS-026-06.75-X-D-X-PX4	QMSS-26-06.75-D-01-PC4	1.360[34.54]	1	.180[4.57]	1.209[30.71]
QMSS-026-06.75-X-D-X-PX8	QMSS-26-06.75-D-01-PC8	1.675[42.55]	3	.337[8.56]	1.524[38.71]
QMSS-052-06.75-X-D-X-PX4	QMSS-26-06.75-D-02-PC4	2.200[55.88]	1	.180[4.57]	2.049[52.04]
QMSS-052-06.75-X-D-X-PX8	QMSS-26-06.75-D-02-PC8	2.515[63.88]	3	.337[8.56]	2.364[60.05]
QMSS-078-06.75-X-D-X-PX4	QMSS-26-06.75-D-03-PC4	3.040[77.22]	1	.180[4.57]	2.889[73.38]
QMSS-078-06.75-X-D-X-PX8	QMSS-26-06.75-D-03-PC8	3.355[85.22]	3	.337[8.56]	3.204[81.38]

TABLE 6

POWER OPTION	TERMINAL	"H"	"J"	"K"	"L"
PC4 / PC8	T-1M27-01-S	.071[1.80]	.365[9.27]	.086[2.18]	.124[3.15]
PT4 / PT8	T-1M27-03-S	.110[2.79]	.400[10.16]	.125[3.18]	.159[4.04]

F:\DWG\MISC\MKTG\QMSS-XXX-XX-XX-X-D-X-XXX-X-XX-MKT.SLDDRW

PROPRIETARY NOTE
 THIS DOCUMENT CONTAINS CONFIDENTIAL AND PROPRIETARY INFORMATION AND ALL DESIGN, MANUFACTURING, REPRODUCTION, USE, PATENT RIGHTS AND SALES RIGHTS ARE EXPRESSLY RESERVED BY SAMTEC, INC. THIS DOCUMENT SHALL NOT BE DISCLOSED, IN WHOLE OR PART, TO ANY UNAUTHORIZED PERSON OR ENTITY NOR REPRODUCED, TRANSFERRED OR INCORPORATED IN ANY OTHER PROJECT IN ANY MANNER WITHOUT THE EXPRESS WRITTEN CONSENT OF SAMTEC, INC.

DO NOT SCALE DRAWING

SHEET SCALE: 2.5:1



520 PARK EAST BLVD, NEW ALBANY, IN 47150
 PHONE: 812-944-6733 FAX: 812-948-5047
 e-Mail: info@SAMTEC.com code: 55322

DESCRIPTION:
 .635mm DOUBLE ROW SHIELDED TERMINAL STRIP

DWG. NO.
 QMSS-XXX-XX.XX-X-D-X-XXX-X-XX

BY: CHAD F 05/23/2002 SHEET 3 OF 3