

ASO ONLY (APPLICATION SPECIFIC ORDER)

DO NOT SCALE FROM THIS PRINT

EDGE MOUNT	"A"	"B"	"C"	BODY	CONTACT
-EM2	.130[3.30]	.0670[1.702]	.058[1.47]	QTH-30-01-D-EM2-XX	T-1S42-01-X
*-EM3	.160[4.06]	.0980[2.489]	.088[2.24]	QTH-30-01-D-EM3-XX	T-1S42-02-X

* = SEE NOTE 12

QTH-XXX-01-X-D-EMX-XX

No OF POSITIONS
-030, -060, -090,
**-120, **-150
(PER ROW)
**SEE NOTE 13

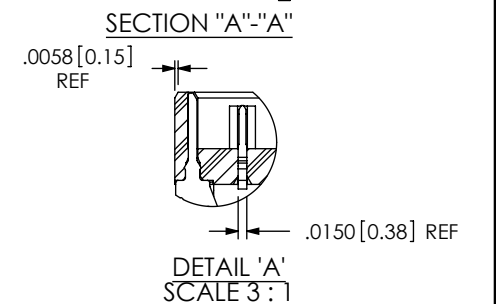
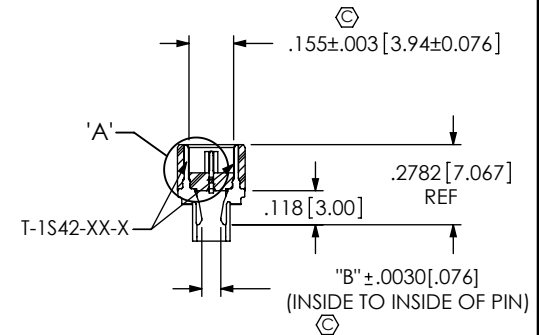
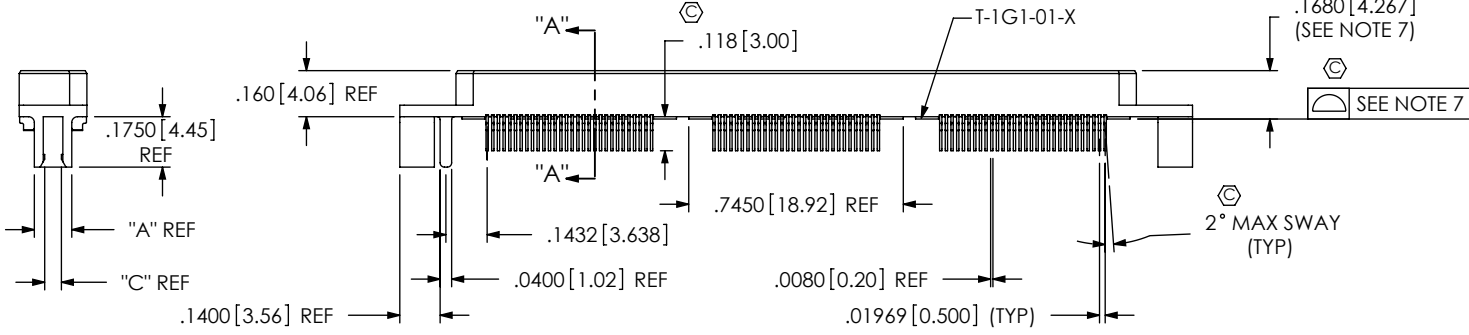
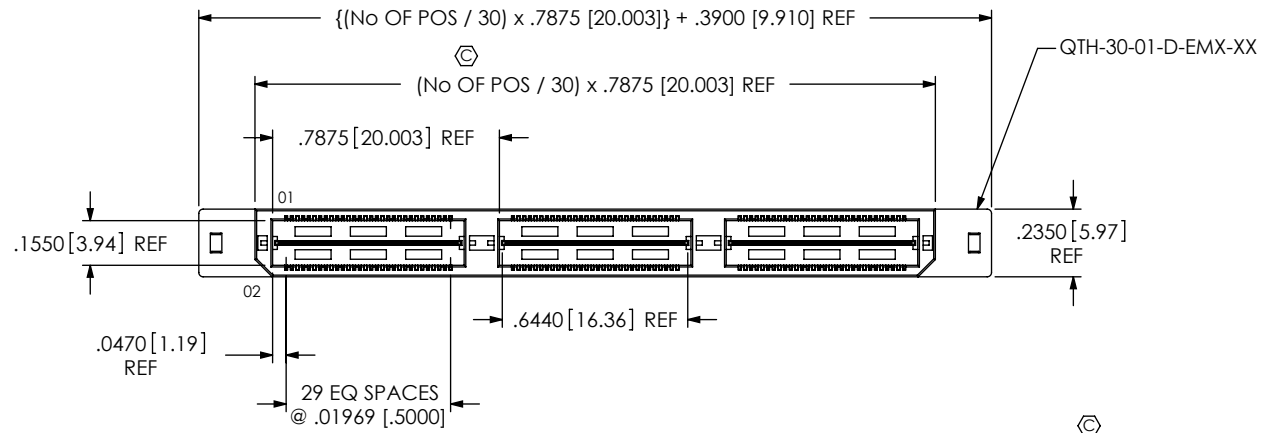
OPTION
-TY: TRAY PACKAGING

EDGE MOUNT THICKNESS
-EM2: .064[1.63] +/- .004 PCB
(USE QTH-30-01-D-EM2-XX &
T-1S42-01-X)
-EM3:
(USE QTH-30-01-D-EM3-XX &
T-1S42-02-X)
SEE NOTE 12

LEAD STYLE
-01: .1680[4.267]

ROW SPECIFICATION
-D: DOUBLE
(USE QTH-30-01-D-EMX-XX)

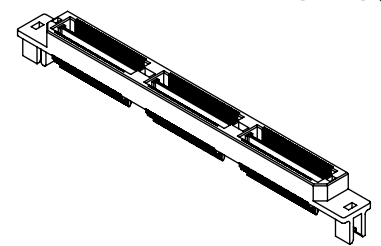
PLATING SPECIFICATION No OF BANKS
-F: 3μ" SELECTIVE GOLD IN CONTACT AREA,
MATTE TIN ON TAILS
(USE T-1G1-01-F) [SEE NOTE 8]
-L: 10μ" SELECTIVE GOLD IN CONTACT AREA,
MATTE TIN ON TAILS (USE T-1G1-01-L)
-H: 30μ" GOLD IN CONTACT AREA,
3μ" GOLD ON TAIL (USE T-1G1-01-G)
-C: 50μ" GOLD IN CONTACT AREA,
3μ" GOLD ON TAIL
(USE T-1G1-01-L)



No OF POSITIONS	MAX BOW
-030, -060, -090	.004 [.10]
-120, -150	.006 [.15]

NOTES:

- ⊕ REPRESENTS A CRITICAL DIMENSION.
- BURR ALLOWANCE: .0015[.038] MAX.
- MINIMUM PUSHOUT FORCE: 5 OZ.
- MINIMUM GROUND PLANE RETENTION: 1 LB.
- NOTE DELETED.
- PARTS TO BE MOLDED TO POSITION.
- GROUND PLANE TO BE WITHIN .004[.10] COPLANARITY & MAX VARIANCE OF .002.
- L PLATING CAN BE SUBSTITUTED FOR -F PLATING (TERMINAL).
- NOTE DELETED.
- BOARD THICKNESS TO BE MEASURED FROM SOLDER PAD TO SOLDER PAD.
- SEE www.samtec.com/processing/edgemt_tectalk/index.htm FOR PROCESSING EDGE MOUNT PARTS TO BOARD.
- EM3 IS NOT A STANDARD OFFERING; AVAILABLE AS AN ASP ONLY. PLEASE CONTACT SAMTEC INTERCONNECT PROCESSING GROUP WITH ORDER INQUIRIES
- FOR NEW APPLICATIONS REQUIRING THESE POSITIONS, PLEASE CONTACT SAMTEC INTERCONNECT PROCESSING GROUP.



<p>UNLESS OTHERWISE SPECIFIED, DIMENSIONS ARE IN INCHES.</p> <p>TOLERANCES ARE:</p> <table border="0"> <tr> <td>DECIMALS</td> <td>ANGLES</td> </tr> <tr> <td>.XX: ±.01 [.3]</td> <td>2°</td> </tr> <tr> <td>.XXX: ±.005 [.13]</td> <td></td> </tr> <tr> <td>.XXXX: ±.0020 [.051]</td> <td></td> </tr> </table>	DECIMALS	ANGLES	.XX: ±.01 [.3]	2°	.XXX: ±.005 [.13]		.XXXX: ±.0020 [.051]		<p>PROPRIETARY NOTE</p> <p>THIS DOCUMENT CONTAINS INFORMATION CONFIDENTIAL AND PROPRIETARY TO SAMTEC, INC. AND SHALL NOT BE REPRODUCED OR TRANSFERRED TO OTHER DOCUMENTS OR DISCLOSED TO OTHERS OR USED FOR ANY PURPOSE OTHER THAN THAT WHICH IT WAS OBTAINED WITHOUT THE EXPRESSED WRITTEN CONSENT OF SAMTEC, INC.</p>	<p>520 PARK EAST BLVD, NEW ALBANY, IN 47150 PHONE: 812-944-6733 FAX: 812-948-5047 e-Mail: info@SAMTEC.com code: 55322</p>
	DECIMALS	ANGLES								
.XX: ±.01 [.3]	2°									
.XXX: ±.005 [.13]										
.XXXX: ±.0020 [.051]										
<p>MATERIAL: DO NOT SCALE DRAWING SHEET SCALE: 1.5:1</p> <p>INSULATOR: LCP, COLOR: BLACK TERMINAL & GROUND PLANE: PHOS BRONZE</p>	<p>DESCRIPTION: .5mm HS EDGE MOUNT TERMINAL ASSEMBLY</p> <p>DWG. NO. QTH-XXX-01-X-D-EMX-XX</p> <p>BY: DEAN P 4/20/2000 SHEET 1 OF 1</p>									