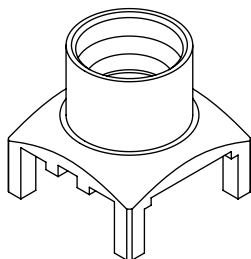


DESIGNED AND DIMENSIONED IN INCHES[MILLIMETERS]
ALL DIMENSIONS REFERENCE EXCEPT AS SHOWN

DO NOT
SCALE FROM
THIS PRINT



SMP-PX-P-XX-ST-MTX

GENDER
-PF: FULL DETENT
-PL: LIMITED DETENT
-PS: SMOOTH BORE
-PC: CATCHER'S MITT

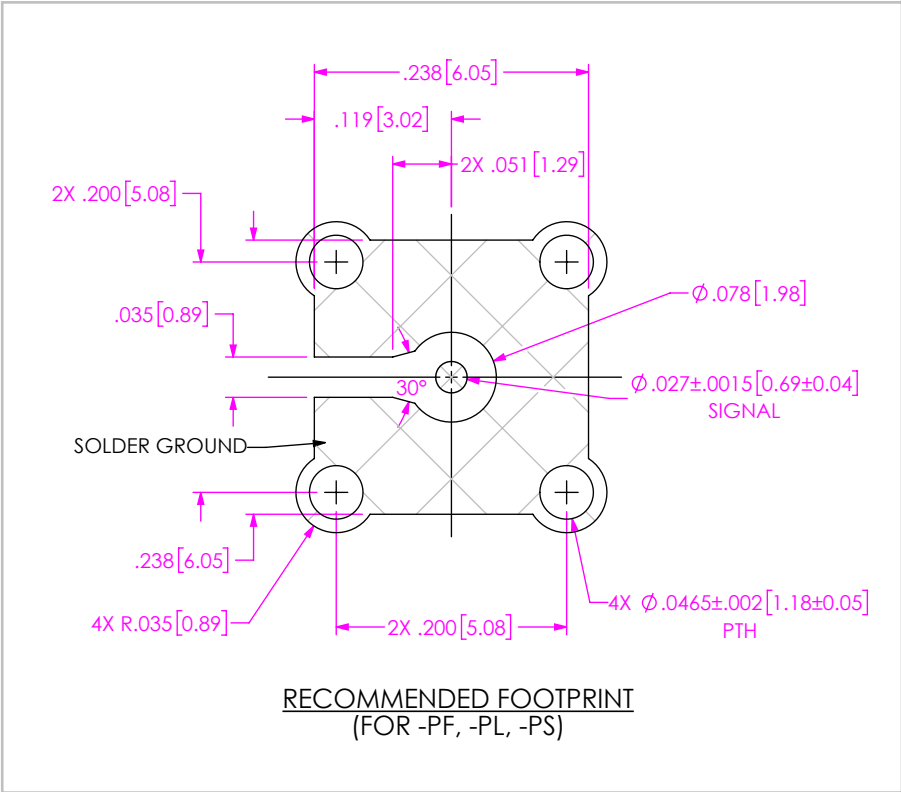
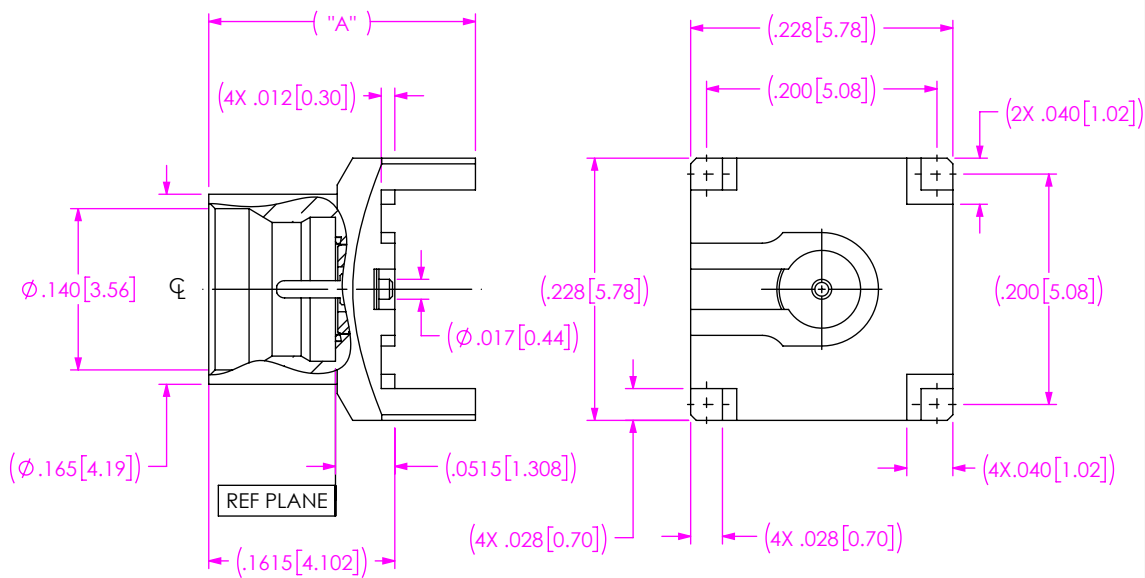
TYPE
-P: PCB

OPTION
1: .062" PCB
2: .093" PCB

TERMINATION
-MT: MIXED TECHNOLOGY

ORIENTATION
-ST: STRAIGHT

PLATING SPECIFICATION
-HG: 30µ" HEAVY GOLD ON CENTER CONTACT,
10µ" GOLD ON OUTER BODY



| OPTION | "A" |
|--------|--------------|
| 1 | .2315 [5.88] |
| 2 | .2645 [6.72] |

FIG 1
SMP-PF-P-XX-ST-MTX SHOWN

NOTES:

1. TRAYS TO BE STANDARD PACKAGING

PROPRIETARY NOTE
THIS DOCUMENT CONTAINS CONFIDENTIAL AND PROPRIETARY INFORMATION AND ALL DESIGN, MANUFACTURING, REPRODUCTION, USE, PATENT RIGHTS AND SALES RIGHTS ARE EXPRESSLY RESERVED BY SAMTEC, INC. THIS DOCUMENT SHALL NOT BE DISCLOSED, IN WHOLE OR PART, TO ANY UNAUTHORIZED PERSON OR ENTITY NOR REPRODUCED, TRANSFERRED OR INCORPORATED IN ANY OTHER PROJECT IN ANY MANNER WITHOUT THE EXPRESS WRITTEN CONSENT OF SAMTEC, INC.



520 PARK EAST BLVD, NEW ALBANY, IN 47150
PHONE: 812-944-6733 FAX: 812-948-5047
e-Mail: info@SAMTEC.com code 55322

DO NOT SCALE DRAWING
MATERIAL: SHEET SCALE: 6:1
BODY & PIN: GOLD PLATED
BRASS
INSULATOR: PEEK

DESCRIPTION: SMP MIXED TECHNOLOGY
PLUG

DWG. NO. SMP-PX-P-XX-ST-MTX

BY: WILLY Y 10/12/2023 SHEET 1 OF 3

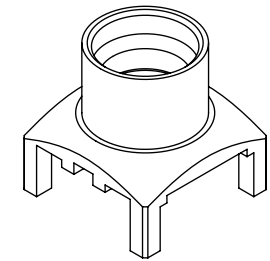
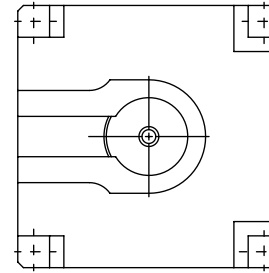
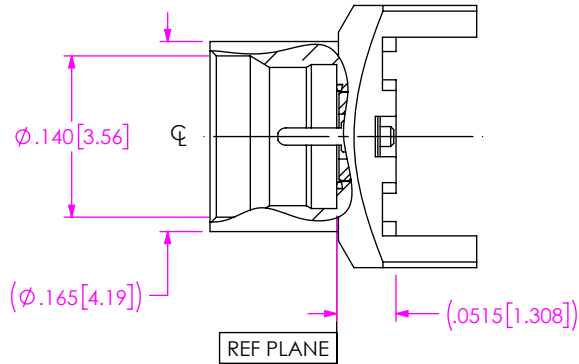


FIG 2
SMP-PL-P-XX-ST-MTX SHOWN
(SAME AS FIG 1, EXCEPT AS SHOWN)

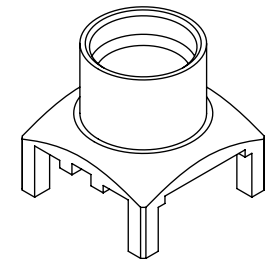
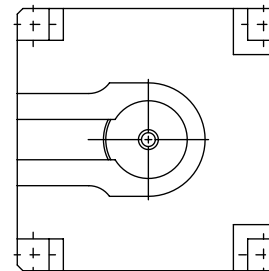
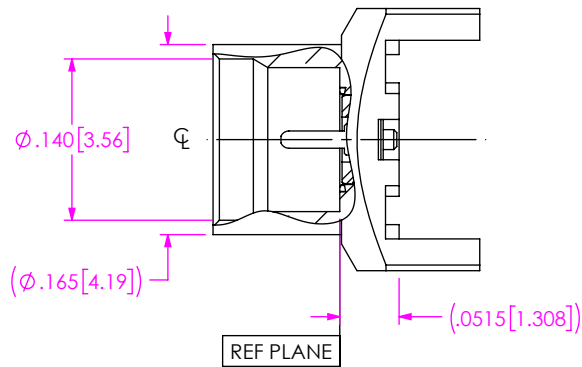


FIG 3
SMP-PS-P-XX-ST-MTX SHOWN
(SAME AS FIG 1, EXCEPT AS SHOWN)

PROPRIETARY NOTE
THIS DOCUMENT CONTAINS CONFIDENTIAL AND PROPRIETARY INFORMATION AND ALL DESIGN, MANUFACTURING, REPRODUCTION, USE, PATENT RIGHTS AND SALES RIGHTS ARE EXPRESSLY RESERVED BY SAMTEC, INC. THIS DOCUMENT SHALL NOT BE DISCLOSED, IN WHOLE OR PART, TO ANY UNAUTHORIZED PERSON OR ENTITY NOR REPRODUCED, TRANSFERRED OR INCORPORATED IN ANY OTHER PROJECT IN ANY MANNER WITHOUT THE EXPRESS WRITTEN CONSENT OF SAMTEC, INC.

DO NOT SCALE DRAWING

SHEET SCALE: 6:1

samtec

520 PARK EAST BLVD, NEW ALBANY, IN 47150
PHONE: 812-944-6733 FAX: 812-948-5047
e-Mail: info@SAMTEC.com code 55322

DESCRIPTION: SMP MIXED TECHNOLOGY PLUG

DWG. NO. **SMP-PX-P-XX-ST-MTX**

BY: WILLY Y 10/12/2023 SHEET 2 OF 3

