

DO NOT SCALE FROM THIS PRINT

TABLE 1				
ITEM	COMPONENT	-HG	-GF	
1	SHELL	SMP-PX-P-G-ST-TH2-SHL (SEE TABLE 2)	SMP-PX-P-F-ST-TH2-SHL (SEE TABLE 2)	
2	PIN	SMP-P-P-H-ST-TH2-PIN	SMP-P-P-G-ST-TH2-PIN	
3	INSULATOR	SMP-P-P-ST-TH2-INS		

SMP-PX-P-XX-ST-TH2

GENDER
-P: PLUG

TERMINATION
-TH2: THROUGH HOLE
(.200" PITCH)

ORIENTATION
-ST: STRAIGHT

INTERFACE
-F: FULL DETENT
-L: LIMITED DETENT
-S: SMOOTH BORE
-C: CATCHER'S MITT

TYPE
-P: PCB

PLATING SPECIFICATION
-HG: 30μ" GOLD CENTER CONTACT,
10μ" GOLD OUTER CONTACT
-GF: 10μ" GOLD CENTER CONTACT,
3μ" GOLD OUTER CONTACT
(SEE TABLE 1)

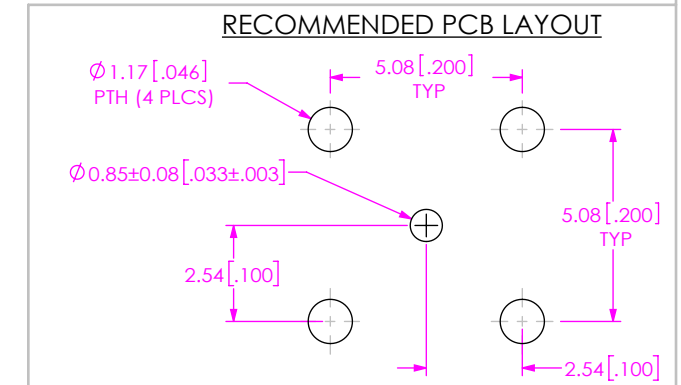
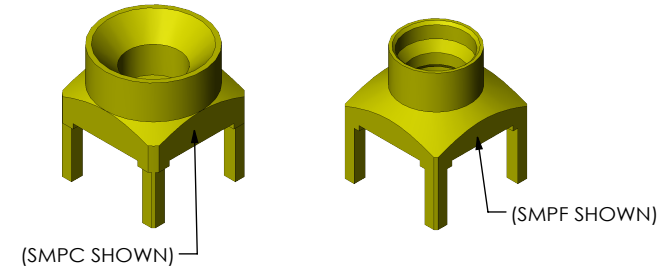
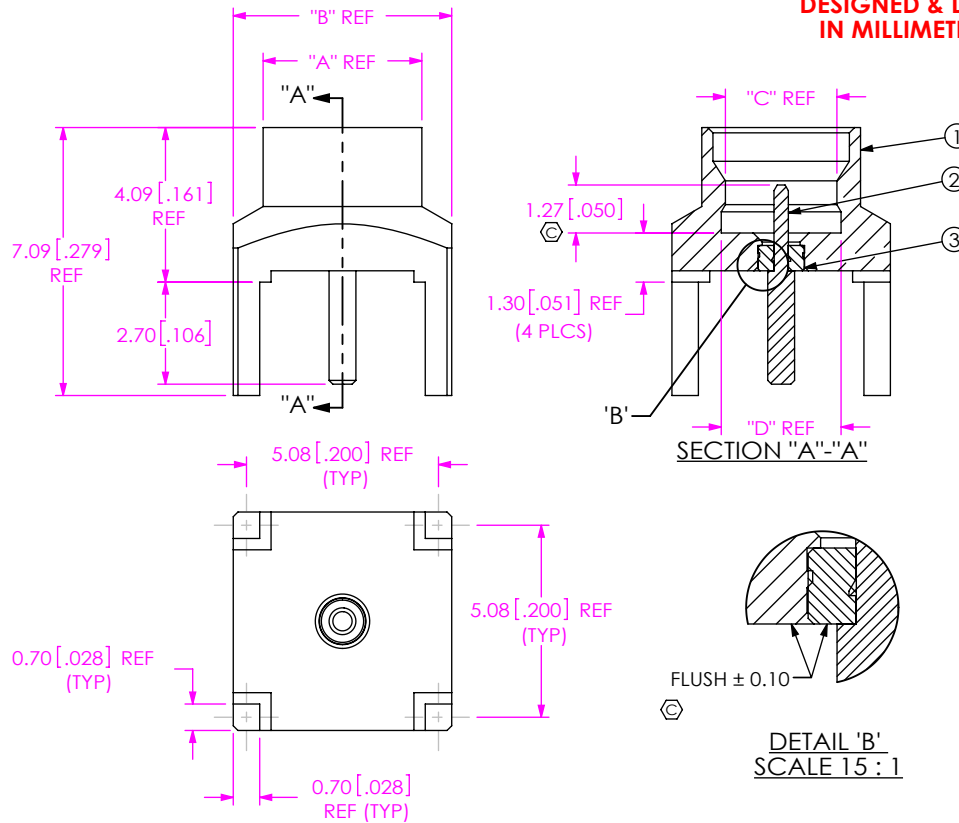


TABLE 2					
INTERFACE	SMP-PX-P-X-ST-TH1-SHL	"A"	"B"	"C"	"D"
-F	SMP-PF-P-X-ST-TH2-SHL	Ø4.20 [.165]	□5.78 [.228]	Ø2.95 [.116]	Ø3.17 [.125]
-L	SMP-PL-P-X-ST-TH2-SHL	Ø4.20 [.165]	□5.78 [.228]	Ø3.05 [.120]	Ø3.17 [.125]
-S	SMP-PS-P-X-ST-TH2-SHL	Ø4.20 [.165]	□5.78 [.228]	Ø3.17 [.125]	N/A
-C	SMP-PC-P-X-ST-TH2-SHL	Ø5.99 [.236]	□5.99 [.236]	Ø3.17 [.125]	N/A

NOTES:

- ⊕ REPRESENTS A CRITICAL DIMENSION.
- MINIMUM PUSHOUT FORCE FOR CENTER CONTACT: 3.50N [0.8 LB].
INSULATOR: 6.67N [1.5 LB].
- PRODUCT TO BE PACKAGED PER PACKING STANDARD CO-RF-WI-3040-M.
TRAY: TY-SMA001-1
COVER: TY-SMA001-2
200 PARTS PER TRAY (2 PARTS PER POCKET)

UNLESS OTHERWISE SPECIFIED, DIMENSIONS ARE IN MILLIMETERS.
TOLERANCES ARE:
DECIMALS ANGLES
X.X: ±0.3 [.01] 5°
X.XX: ±0.13 [.005]
X.XXX: ±0.051 [.0020]

PROPRIETARY NOTE
THIS DOCUMENT CONTAINS CONFIDENTIAL AND PROPRIETARY INFORMATION AND ALL DESIGN, MANUFACTURING, REPRODUCTION, USE, PATENT RIGHTS AND SALES RIGHTS ARE EXPRESSLY RESERVED BY SAMTEC, INC. THIS DOCUMENT SHALL NOT BE DISCLOSED, IN WHOLE OR PART, TO ANY UNAUTHORIZED PERSON OR ENTITY NOR REPRODUCED, TRANSFERRED OR INCORPORATED IN ANY OTHER PROJECT IN ANY MANNER WITHOUT THE EXPRESS WRITTEN CONSENT OF SAMTEC, INC.



MATERIAL: DO NOT SCALE DRAWING SHEET SCALE: 5:1
CONTACT, SHELL: BRASS
DIELECTRIC: PTFE

DESCRIPTION:
SMP THROUGH HOLE PLUG - 50 OHM
DWG. NO.
SMP-PX-P-XX-ST-TH2
BY: T MEEK 10/29/2010 SHEET 1 OF 1