

DO NOT SCALE FROM THIS PRINT

DESIGNED AND DIMENSIONED IN INCHES[MILLIMETERS]
ALL DIMENSIONS REFERENCE EXCEPT AS SHOWN

SMPM-PC-P-XX-ST-SM-1

GENDER
-PC: PLUG CATCHER'S MITT

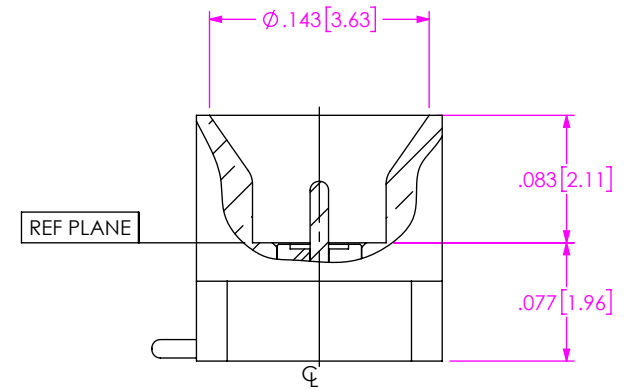
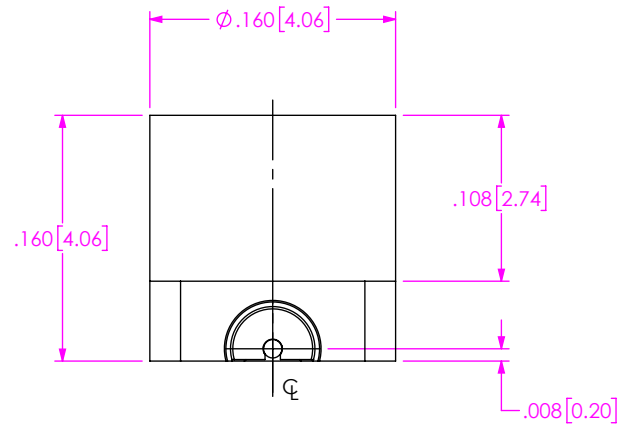
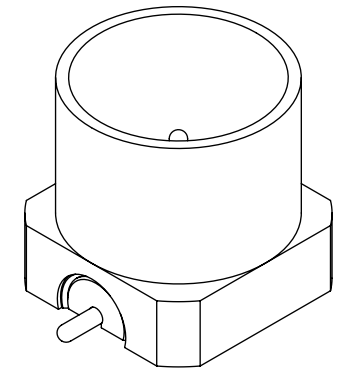
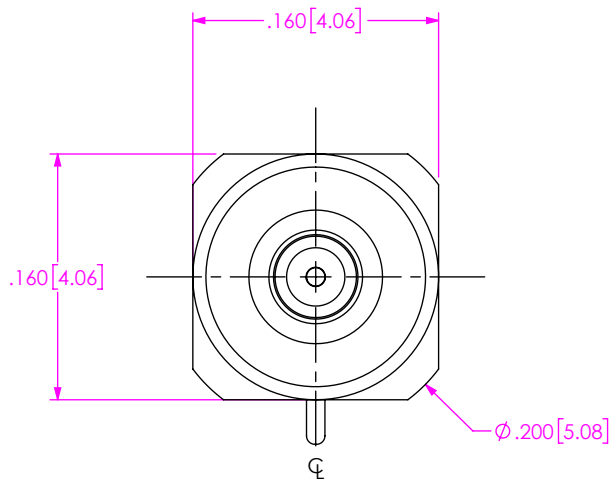
TYPE
-P: PCB

FINISH
-EG: 50μ" HEAVY GOLD CENTER CONTACT,
10μ" GOLD OUTER BODY

OPTION
-01

TERMINATION
-SM: SURFACE MOUNT

ORIENTATION
-ST: STRAIGHT



- NOTES:
- MATERIAL:
BEADS: VICTREX POLYMER.
CONTACT: BERYLLIUM COPPER.
BODY: BRASS ALLOY.
 - FINISH:
CONTACT, OUTER CONTACT:
-G: GOLD OVER NICKEL PLATE, 10-30 μIN MIN
GOLD OVER 50-100 μIN MIN NICKEL.

PROPRIETARY NOTE
THIS DOCUMENT CONTAINS CONFIDENTIAL AND PROPRIETARY INFORMATION AND ALL DESIGN, MANUFACTURING, REPRODUCTION, USE, PATENT RIGHTS AND SALES RIGHTS ARE EXPRESSLY RESERVED BY SAMTEC, INC. THIS DOCUMENT SHALL NOT BE DISCLOSED, IN WHOLE OR PART, TO ANY UNAUTHORIZED PERSON OR ENTITY NOR REPRODUCED, TRANSFERRED OR INCORPORATED IN ANY OTHER PROJECT IN ANY MANNER WITHOUT THE EXPRESS WRITTEN CONSENT OF SAMTEC, INC.

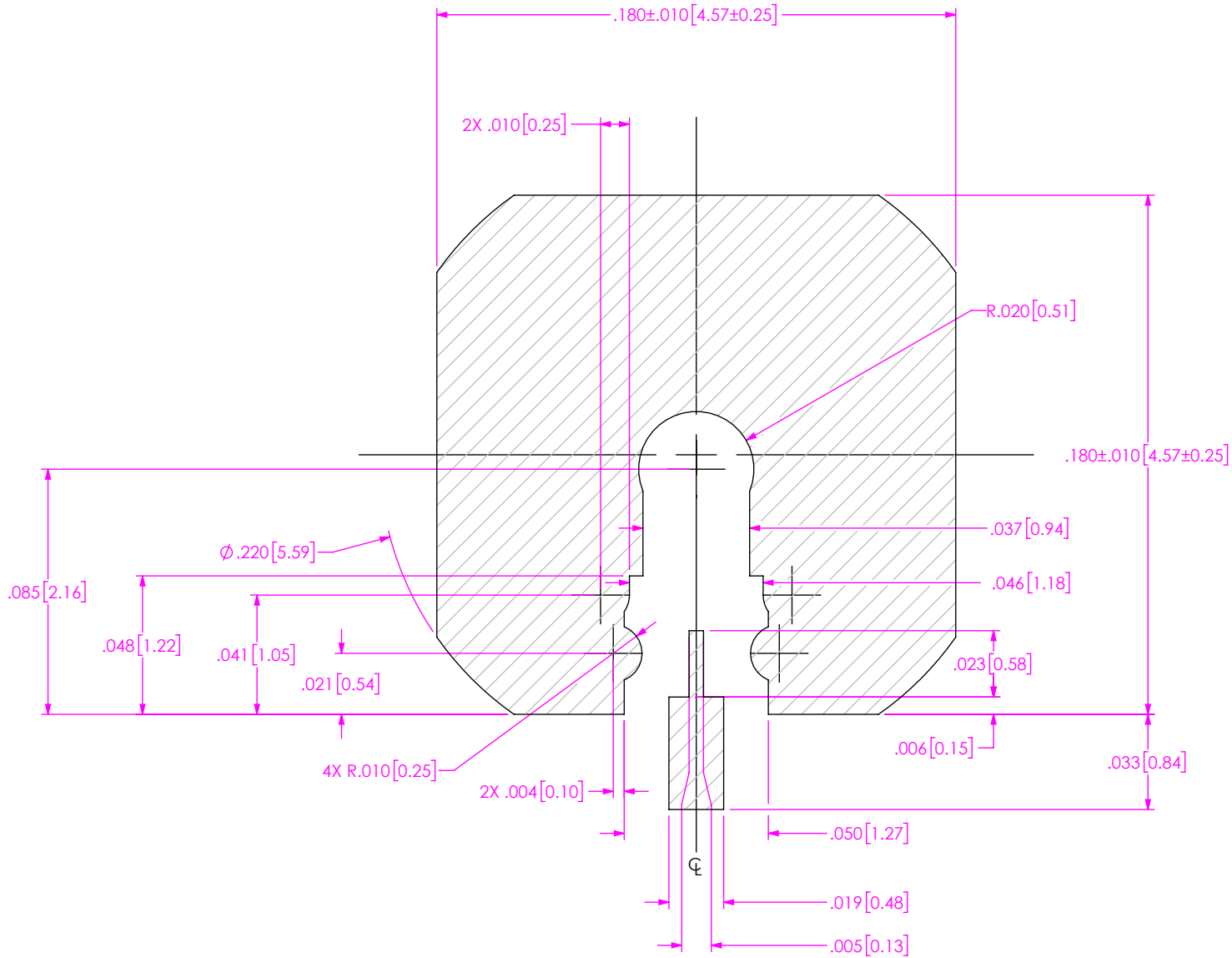


520 PARK EAST BLVD, NEW ALBANY, IN 47150
PHONE: 812-944-6733 FAX: 812-948-5047
e-Mail info@SAMTEC.com code 55322

DO NOT SCALE DRAWING
SHEET SCALE: 8:1

DESCRIPTION:
PLUG, SURFACE MOUNT, SMPM(F)

DWG. NO.
SMPM-PC-P-XX-ST-SM-1



RECOMMENDED FOOTPRINT

PROPRIETARY NOTE
 THIS DOCUMENT CONTAINS CONFIDENTIAL AND PROPRIETARY INFORMATION AND ALL DESIGN, MANUFACTURING, REPRODUCTION, USE, PATENT RIGHTS AND SALES RIGHTS ARE EXPRESSLY RESERVED BY SAMTEC, INC. THIS DOCUMENT SHALL NOT BE DISCLOSED, IN WHOLE OR PART, TO ANY UNAUTHORIZED PERSON OR ENTITY NOR REPRODUCED, TRANSFERRED OR INCORPORATED IN ANY OTHER PROJECT IN ANY MANNER WITHOUT THE EXPRESS WRITTEN CONSENT OF SAMTEC, INC.



520 PARK EAST BLVD, NEW ALBANY, IN 47150
 PHONE: 812-944-6733 FAX: 812-948-5047
 e-Mail info@SAMTEC.com code 55322

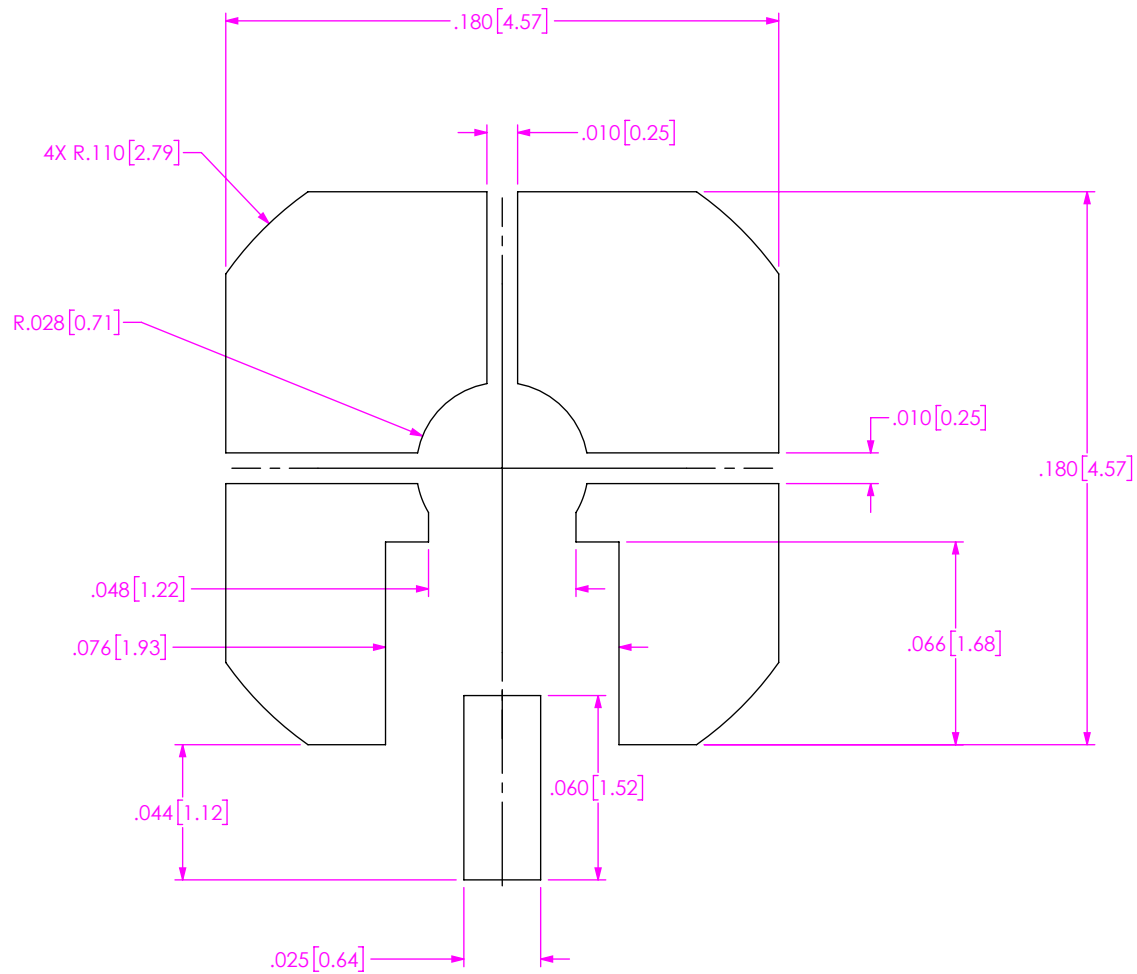
DO NOT SCALE DRAWING

DESCRIPTION:
 PLUG, SURFACE MOUNT, SMPM(F)

DWG. NO.
SMPM-PC-P-XX-ST-SM-1

SHEET SCALE: 18:1

BY: MATT M. 3/22/2022 SHEET 2 OF 3



RECOMMENDED STENCIL APERTURE LAYOUT

NOTES:

1. RECOMMENDED STENCIL THICKNESS = .004".

<p>PROPRIETARY NOTE THIS DOCUMENT CONTAINS CONFIDENTIAL AND PROPRIETARY INFORMATION AND ALL DESIGN, MANUFACTURING, REPRODUCTION, USE, PATENT RIGHTS AND SALES RIGHTS ARE EXPRESSLY RESERVED BY SAMTEC, INC. THIS DOCUMENT SHALL NOT BE DISCLOSED, IN WHOLE OR PART, TO ANY UNAUTHORIZED PERSON OR ENTITY NOR REPRODUCED, TRANSFERRED OR INCORPORATED IN ANY OTHER PROJECT IN ANY MANNER WITHOUT THE EXPRESS WRITTEN CONSENT OF SAMTEC, INC.</p>	<p>samtec 520 PARK EAST BLVD, NEW ALBANY, IN 47150 PHONE: 812-944-6733 FAX: 812-948-5047 e-Mail info@SAMTEC.com code 55322</p>
<p>DO NOT SCALE DRAWING</p>	<p>DESCRIPTION: PLUG, SURFACE MOUNT, SMPM(F)</p>
<p>SHEET SCALE: 16:1</p>	<p>DWG. NO. SMPM-PC-P-XX-ST-SM-1 BY: MATT M. 3/22/2022 SHEET 3 OF 3</p>