

DESIGNED AND DIMENSIONED IN INCHES[MILLIMETERS]
ALL DIMENSIONS REFERENCE EXCEPT AS SHOWN

DO NOT
SCALE FROM
THIS PRINT

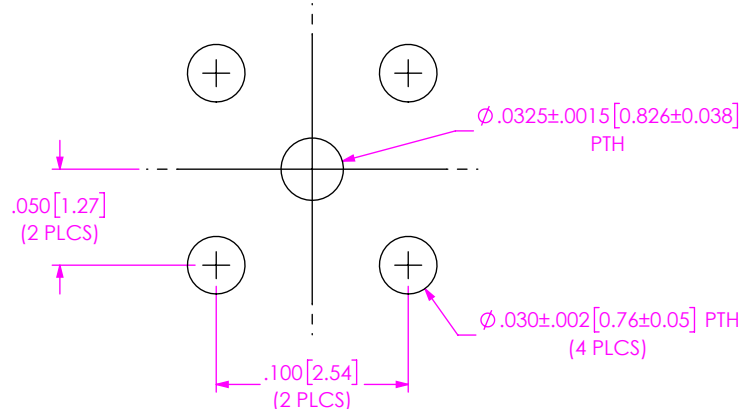


FIG 2
RECOMMENDED MOUNTING HOLE PATTERN

SMPM-PC-P-XX-ST-TH-1

GENDER
-P: PLUG

INTERFACE
-C: CATCHERS MITT

TYPE
-P: PCB

OPTION
-1

TERMINATION
-TH: THROUGH HOLE

ORIENTATION
-ST: STRAIGHT

PLATING SPECIFICATION
-HG: 30μ" HEAVY GOLD ON CENTER CONTACT,
10μ" GOLD ON OUTER CONTACT

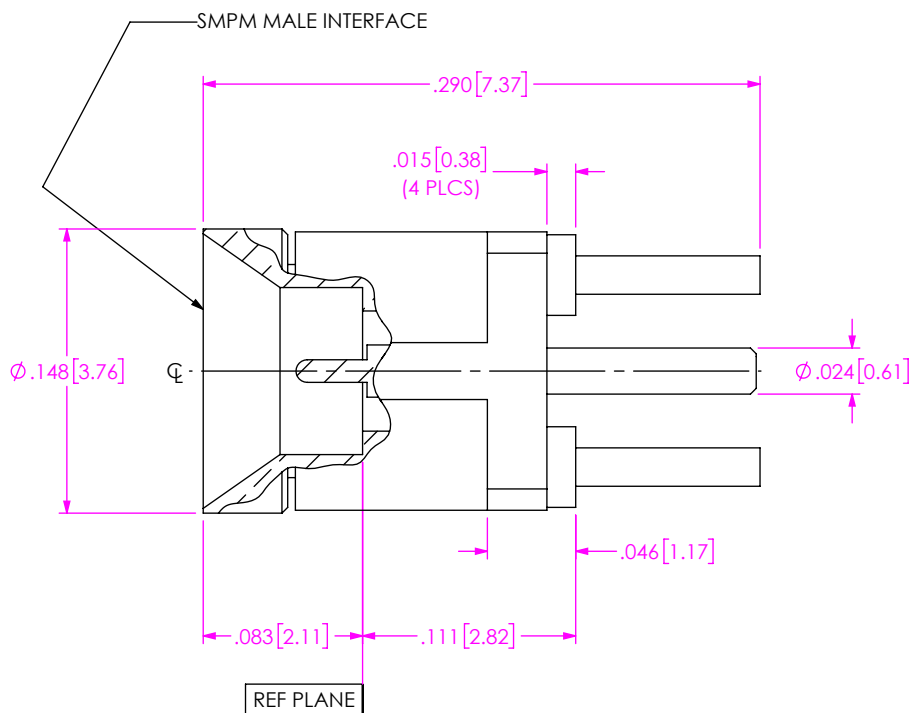
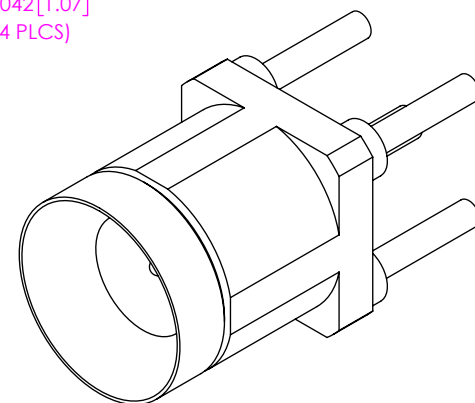
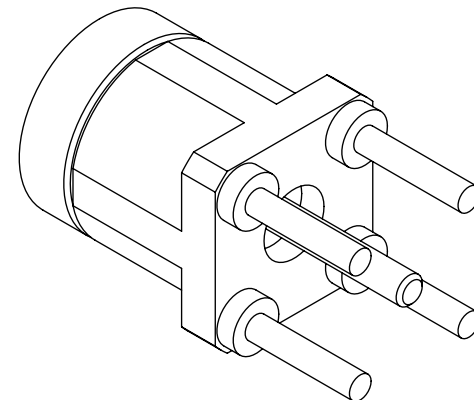
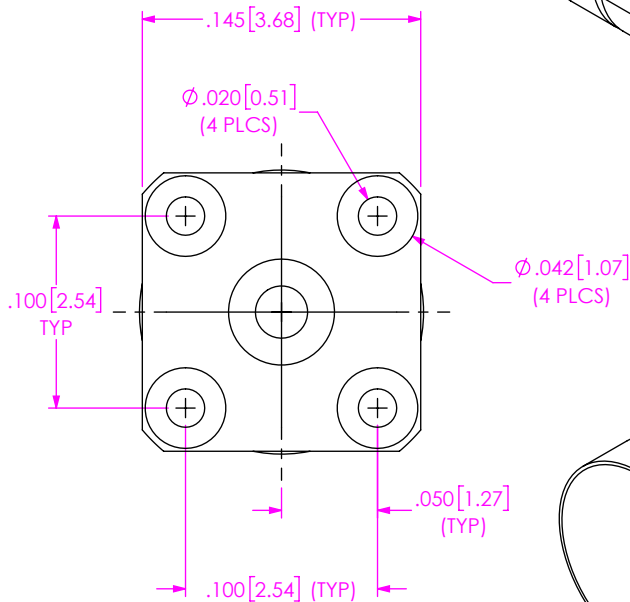


FIG 1
SMPM-PC-P-XX-ST-TH-1 SHOWN



NOTES:
1. TRAYS TO BE STANDARD PACKAGING

PROPRIETARY NOTE
THIS DOCUMENT CONTAINS CONFIDENTIAL AND PROPRIETARY INFORMATION AND ALL DESIGN, MANUFACTURING, REPRODUCTION, USE, PATENT RIGHTS AND SALES RIGHTS ARE EXPRESSLY RESERVED BY SAMTEC, INC. THIS DOCUMENT SHALL NOT BE DISCLOSED, IN WHOLE OR PART, TO ANY UNAUTHORIZED PERSON OR ENTITY NOR REPRODUCED, TRANSFERRED OR INCORPORATED IN ANY OTHER PROJECT IN ANY MANNER WITHOUT THE EXPRESS WRITTEN CONSENT OF SAMTEC, INC.

DO NOT SCALE DRAWING
SHEET SCALE: 10:1

MATERIAL:
BODY, BUSHING & PIN: GOLD PLATED COPPER ALLOY
BEAD: HIGH TEMP POLYMER

samtec
520 PARK EAST BLVD, NEW ALBANY, IN 47150
PHONE: 812-944-6733 FAX: 812-948-5047
e-Mail info@SAMTEC.com code 55322

DESCRIPTION:
SMPM MALE STR PCB THROUGH HOLE

DWG. NO.
SMPM-PC-P-XX-ST-TH-1