

DESIGNED AND DIMENSIONED IN INCHES[MILLIMETERS]
ALL DIMENSIONS REFERENCE EXCEPT AS SHOWN

DO NOT SCALE FROM THIS PRINT

SMPM-PS-P-XX-RA-TH-1

- GENDER
-P: PLUG
- INTERFACE
-S: SMOOTH BORE
- TYPE
-P: PCB
- OPTION
-1
- TERMINATION
-TH: THROUGH HOLE
- ORIENTATION
-RA: RIGHT ANGLE
- FINISH
-HF: 30μ" GOLD HEAVY CENTER CONTACT
3μ" GOLD OUTER CONTACT

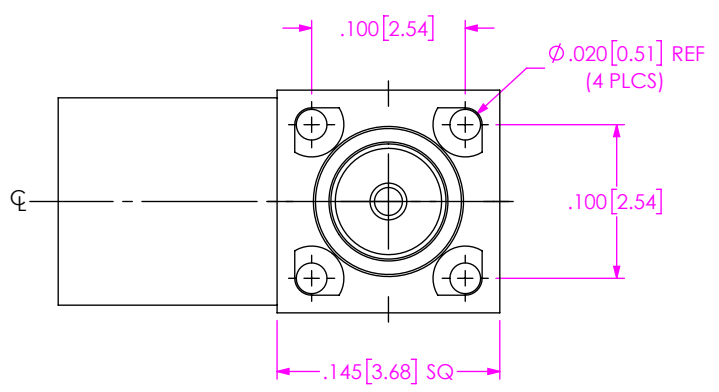
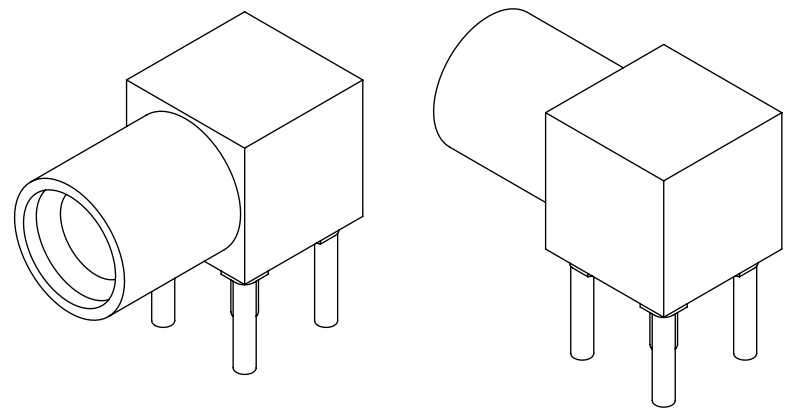
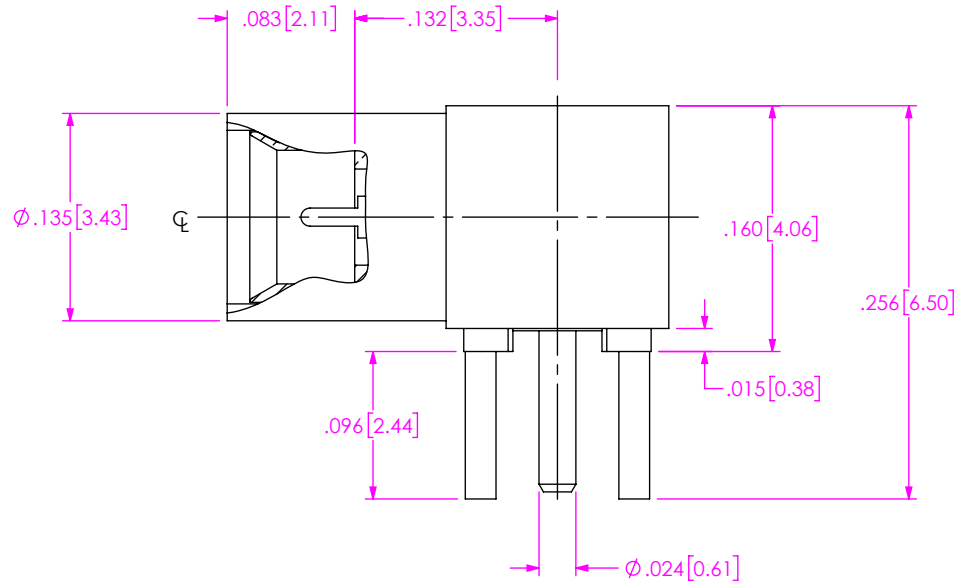
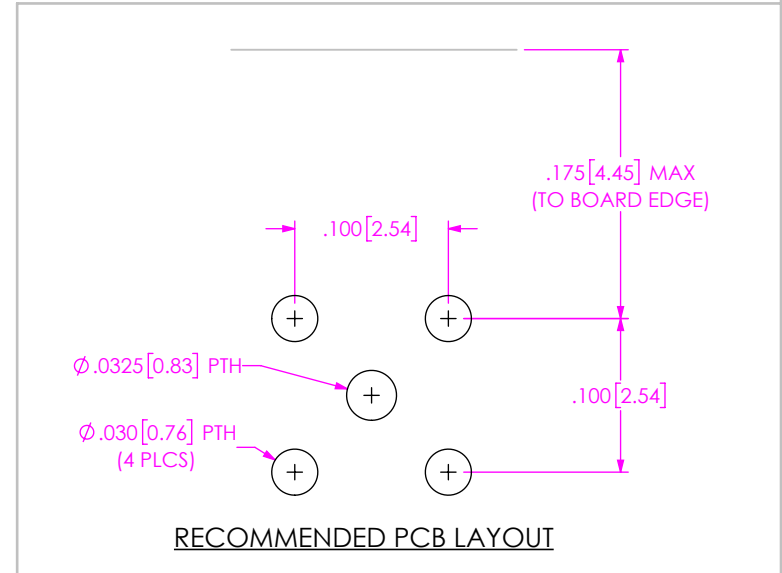


FIG 1
SMPM-PS-P-XX-RA-TH-1 SHOWN

NOTES:
1. TRAY IS STANDARD PACKAGING.



<p>PROPRIETARY NOTE</p> <p>THIS DOCUMENT CONTAINS CONFIDENTIAL AND PROPRIETARY INFORMATION AND ALL DESIGN, MANUFACTURING, REPRODUCTION, USE, PATENT RIGHTS AND SALES RIGHTS ARE EXPRESSLY RESERVED BY SAMTEC, INC. THIS DOCUMENT SHALL NOT BE DISCLOSED, IN WHOLE OR PART, TO ANY UNAUTHORIZED PERSON OR ENTITY NOR REPRODUCED, TRANSFERRED OR INCORPORATED IN ANY OTHER PROJECT IN ANY MANNER WITHOUT THE EXPRESS WRITTEN CONSENT OF SAMTEC, INC.</p>		<p>samtec</p> <p>520 PARK EAST BLVD., NEW ALBANY, IN 47150 PHONE: 812-944-6733 FAX: 812-948-5047 e-Mail: info@SAMTEC.com code 55322</p>	
<p>DO NOT SCALE DRAWING SHEET SCALE: 8:1</p>		<p>DESCRIPTION: SMPM-PLUG, RA THROUGH HOLE</p>	
<p>MATERIAL: BODY, BUSH, PIN & RING: BeCu INSULATOR: PTFE</p>		<p>DWG. NO. SMPM-PS-P-XX-RA-TH-1</p>	
<p>F:\DWG\MISC\MKTG\SMPM-PS-P-XX-RA-TH-1-MKT.SLDRW</p>		<p>BY: SHERRY W 11/2/2019 SHEET 1 OF 1</p>	