

DESIGNED AND DIMENSIONED IN INCHES[MILLIMETERS]
 ALL DIMENSIONS REFERENCE EXCEPT AS SHOWN

DO NOT
 SCALE FROM
 THIS PRINT

SMPM-PS-P-XX-ST-EM-1

GENDER
 -P: PLUG

INTERFACE
 -S: SMOOTH BORE

TYPE
 -P: PCB

OPTION
 -1

TERMINATION
 -EM: EDGE MOUNT

ORIENTATION
 -ST: STRAIGHT

PLATING SPECIFICATION
 (VALUES GIVEN ARE IN MICRO-INCHES)
 -HG: 30μ" GOLD, PIN CONTACT 10μ" GOLD,
 INTERFACE OUTER CONTACT 3μ" GOLD,
 BODY OUTER CONTACT

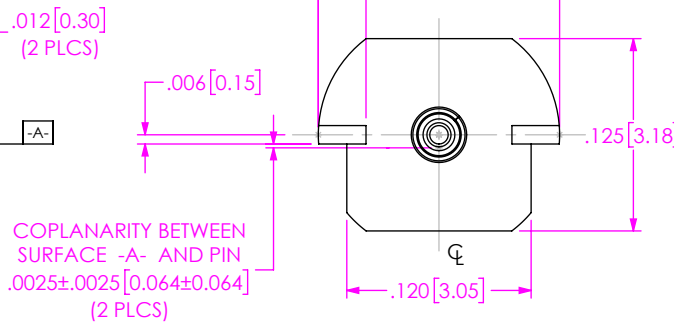
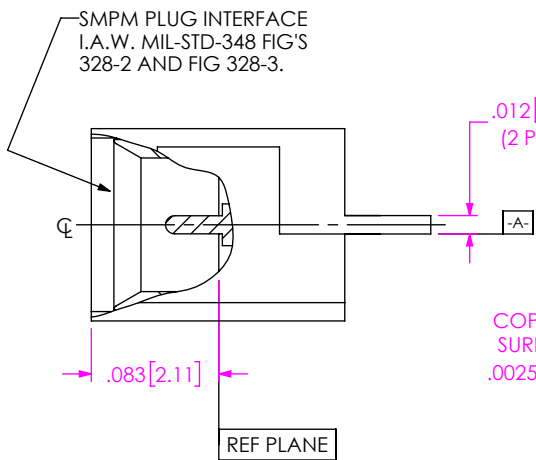
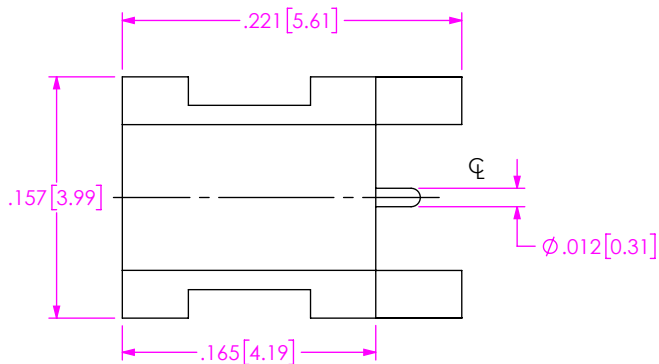
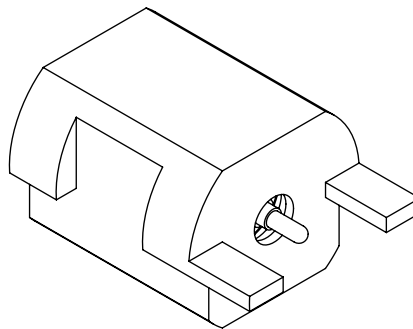
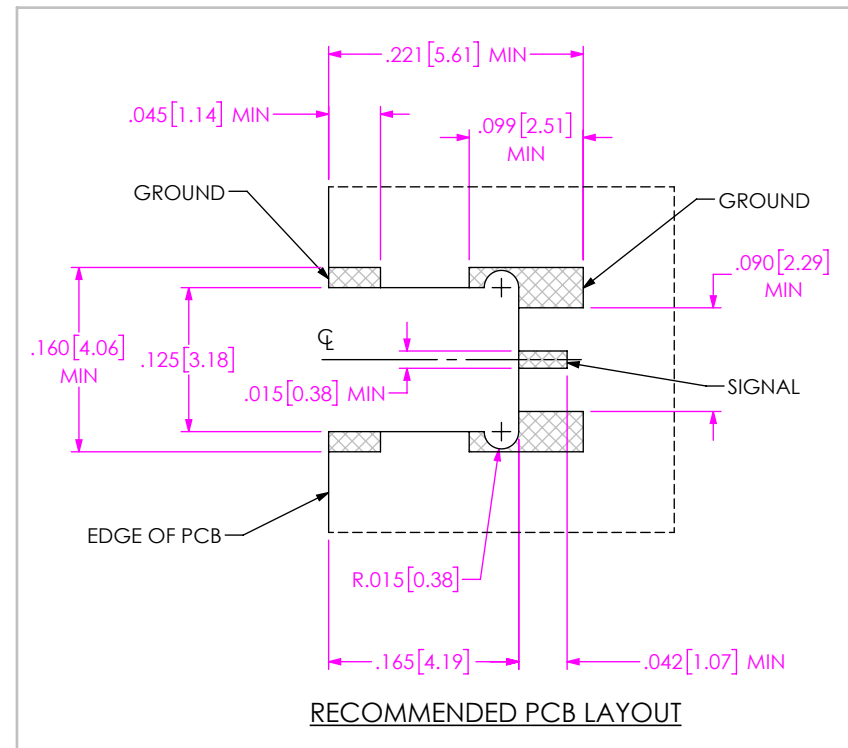


FIG 1
 SMPM-PS-P-XX-ST-EM-1 SHOWN



- NOTES:
1. TRAYS TO BE STANDARD PACKAGING

<p>PROPRIETARY NOTE</p> <p>THIS DOCUMENT CONTAINS CONFIDENTIAL AND PROPRIETARY INFORMATION AND ALL DESIGN, MANUFACTURING, REPRODUCTION, USE, PATENT RIGHTS AND SALES RIGHTS ARE EXPRESSLY RESERVED BY SAMTEC, INC. THIS DOCUMENT SHALL NOT BE DISCLOSED, IN WHOLE OR PART, TO ANY UNAUTHORIZED PERSON OR ENTITY NOR REPRODUCED, TRANSFERRED OR INCORPORATED IN ANY OTHER PROJECT IN ANY MANNER WITHOUT THE EXPRESS WRITTEN CONSENT OF SAMTEC, INC.</p>		<p>samtec</p> <p>520 PARK EAST BLVD, NEW ALBANY, IN 47150 PHONE: 812-944-6733 FAX: 812-948-5047 e-Mail: info@SAMTEC.com code 55322</p>	
<p>DO NOT SCALE DRAWING SHEET SCALE: 8:1</p>		<p>DESCRIPTION: SMPM-PLUG, EDGE MOUNT</p>	
<p>MATERIAL: BODY, BUSHING & PIN: GOLD PLATED COPPER ALLOY INSULATOR: PEK HIGH TEMP POLYMER</p>		<p>DWG. NO. SMPM-PS-P-XX-ST-EM-1</p>	
<p>BY: SHERRY W</p>		<p>10/16/2019</p>	
<p>SHEET 1 OF 1</p>		<p>SHEET 1 OF 1</p>	