

DESIGNED AND DIMENSIONED IN INCHES[MILLIMETERS]  
ALL DIMENSIONS REFERENCE EXCEPT AS SHOWN

DO NOT  
SCALE FROM  
THIS PRINT

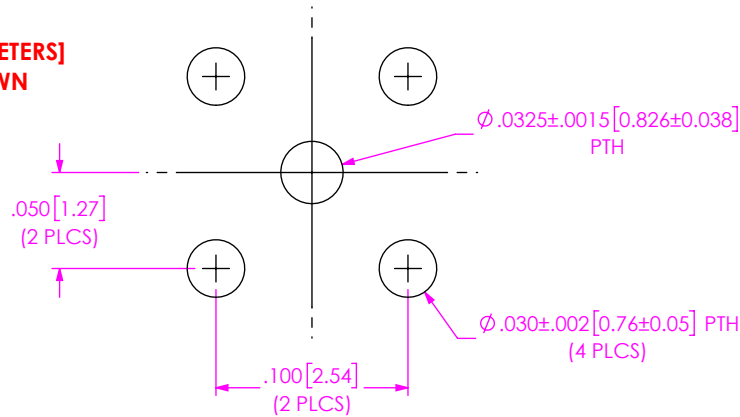


FIG 2  
RECOMMENDED MOUNTING HOLE PATTERN

SMPM-PS-P-XX-ST-TH-1

GENDER  
-P: PLUG

INTERFACE  
-S: SMOOTH BORE

TYPE  
-P: PCB

OPTION  
-1

TERMINATION  
-TH: THROUGH HOLE

ORIENTATION  
-ST: STRAIGHT

PLATING SPECIFICATION  
-HG: 30μ" HEAVY GOLD ON CENTER CONTACT,  
10μ" GOLD ON OUTER CONTACT

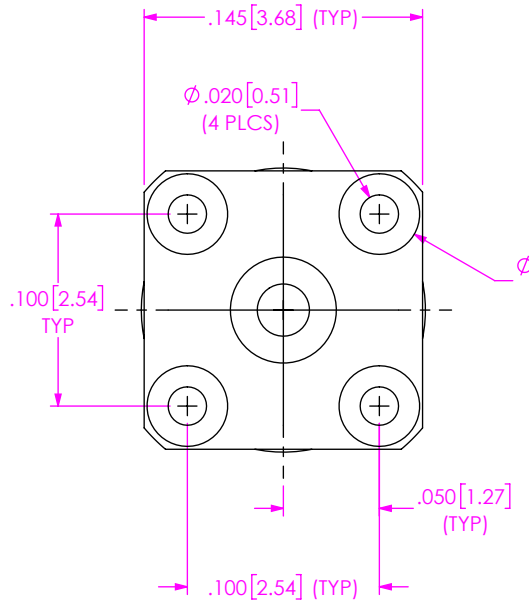
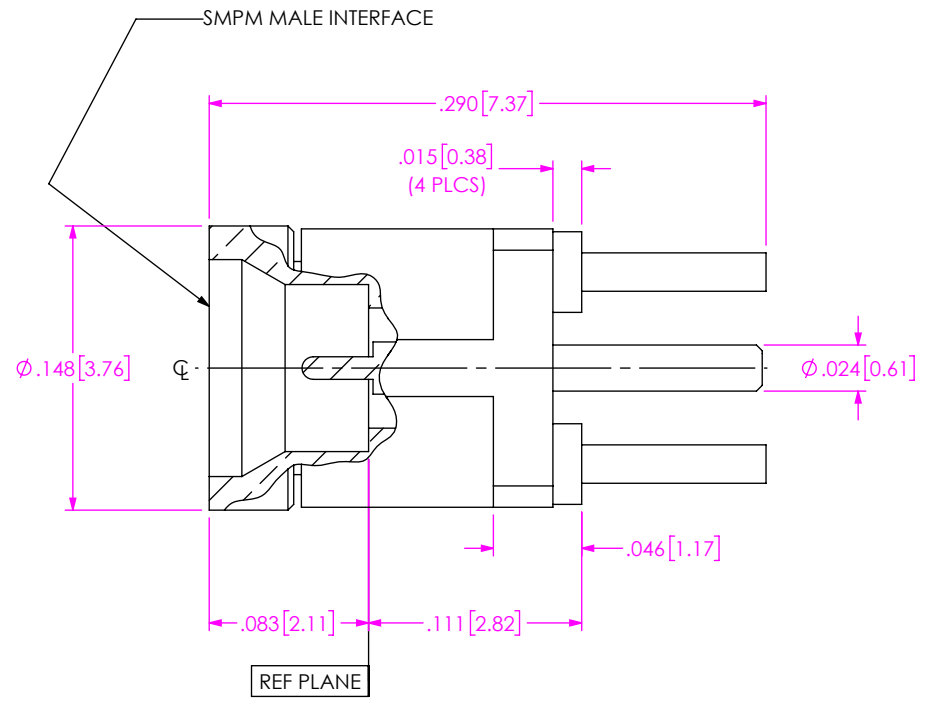
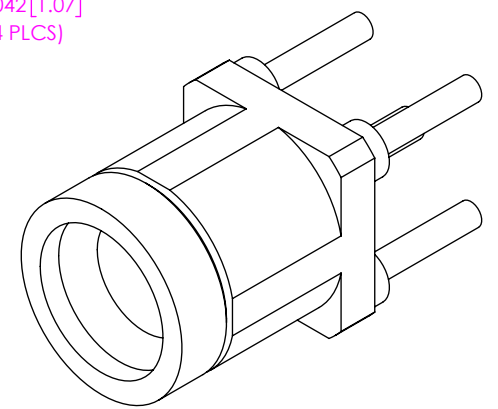
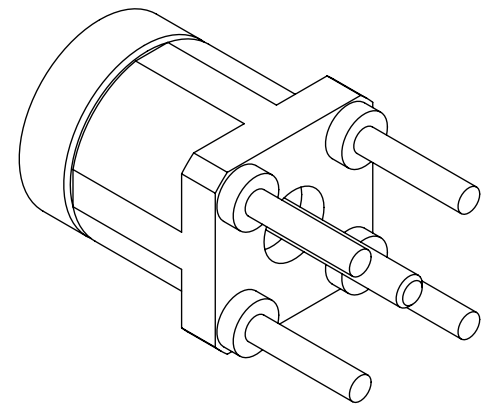


FIG 1  
SMPM-PS-P-XX-ST-TH-1 SHOWN

NOTES:  
1. TRAYS TO BE STANDARD PACKAGING

<p><b>PROPRIETARY NOTE</b></p> <p>THIS DOCUMENT CONTAINS CONFIDENTIAL AND PROPRIETARY INFORMATION AND ALL DESIGN, MANUFACTURING, REPRODUCTION, USE, PATENT RIGHTS AND SALES RIGHTS ARE EXPRESSLY RESERVED BY SAMTEC, INC. THIS DOCUMENT SHALL NOT BE DISCLOSED, IN WHOLE OR PART, TO ANY UNAUTHORIZED PERSON OR ENTITY NOR REPRODUCED, TRANSFERRED OR INCORPORATED IN ANY OTHER PROJECT IN ANY MANNER WITHOUT THE EXPRESS WRITTEN CONSENT OF SAMTEC, INC.</p>		<p><b>DESCRIPTION:</b> SMPM MALE STR PCB THROUGH HOLE</p>
<p>DO NOT SCALE DRAWING SHEET SCALE: 10:1</p>		
<p>MATERIAL: BODY, BUSHING &amp; PIN: GOLD PLATED COPPER ALLOY BEAD: HIGH TEMP POLYMER</p>		<p>DWG. NO. <b>SMPM-PS-P-XX-ST-TH-1</b></p>
<p>F:\DWG\MISC\MKTG\SMPM-PS-P-XX-ST-TH-1-MKT.SLDDRW</p>		<p>BY: SHERRY W    9/30/2019    SHEET 1 OF 1</p>