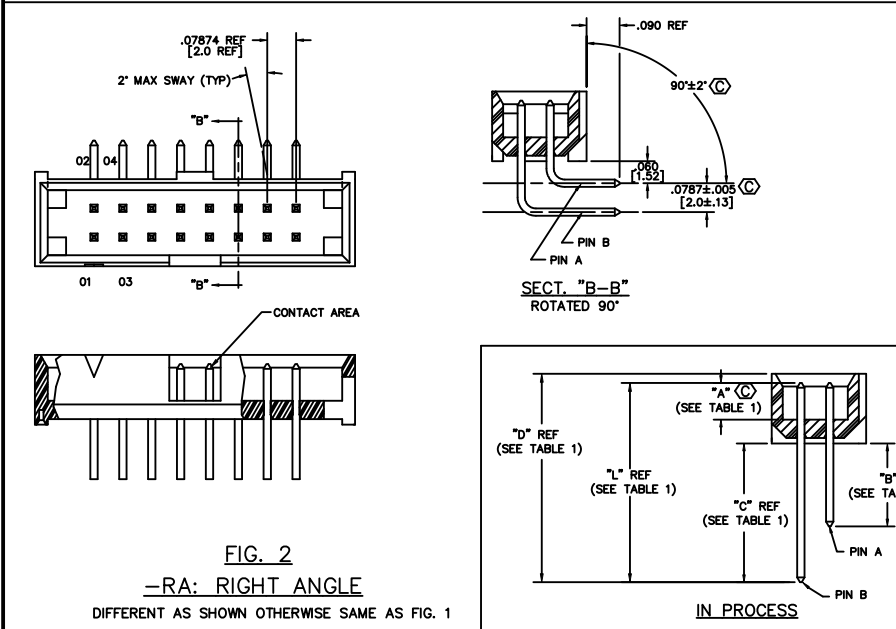
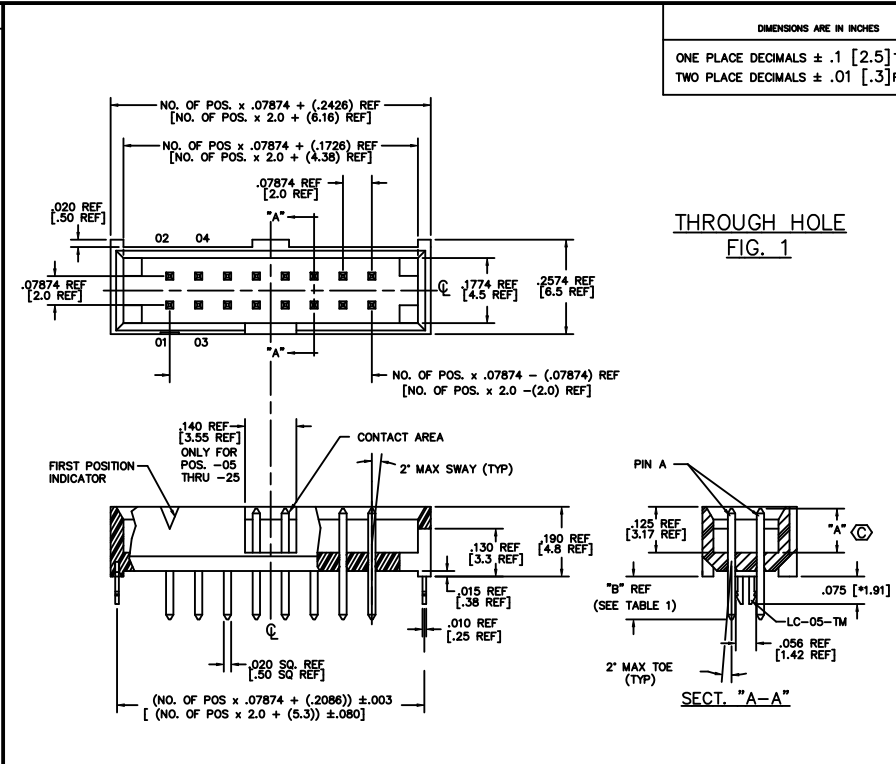


REVISION BW

DO NOT SCALE FROM THIS PRINT

PROPRIETARY NOTE

THIS DOCUMENT CONTAINS CONFIDENTIAL AND PROPRIETARY INFORMATION AND ALL DESIGN, MANUFACTURING, REPRODUCTION, USE, PATENT RIGHTS AND SALES RIGHTS ARE EXPRESSLY RESERVED BY SAMTEC, INC. THIS DOCUMENT SHALL NOT BE DISCLOSED, IN WHOLE OR IN PART, TO ANY UNAUTHORIZED PERSON OR ENTITY NOR REPRODUCED, TRANSMITTED OR INCORPORATED IN ANY OTHER PROJECT IN ANY MANNER WITHOUT THE EXPRESS WRITTEN CONSENT OF SAMTEC, INC.



UNLESS OTHERWISE NOTED
DIMENSIONS ARE IN INCHES
TOLERANCES ARE:
ONE PLACE DECIMALS ± .1 [2.5] THREE PLACE DECIMALS ± .005 [.13]
TWO PLACE DECIMALS ± .01 [.3] FOUR PLACE DECIMALS ± .0010 [.025]
ANGLES ± 1°

TITLE: 2mm C.L. SHROUDED TERMINAL STRIP TO MATE WITH CABLE
DWG NO: STMM-1XX-XX-XX-D-XX-XX-XX-X-XX
SHEET 1 OF 3

STMM-1XX-XX-XX-D-XX-XX-XX-X-XX

NO. OF POSITIONS
-02 THRU -25

TERMINAL STYLE
LEAD STYLE -01 IS STANDARD (.100 [2.54] POST HEIGHT), LEAD STYLE -02 IS FOR MATING WITH TCSD ONLY (.120 [3.05] POST HEIGHT) (SEE TABLE 1)

PLATING SPECIFICATIONS
-G: 20µ" GOLD IN CONTACT AREA, 3µ" GOLD ON TAIL
-T: MATTE TIN CONTACT AND TAIL
-S: 30µ" SELECTIVE GOLD IN CONTACT AREA, MATTE TIN ON TAIL
-L: 10µ" SELECTIVE GOLD IN CONTACT AREA, MATTE TIN ON TAIL
-F: 3µ" SELECTIVE GOLD IN CONTACT AREA, MATTE TIN ON TAIL
-H: 30µ" GOLD IN CONTACT AREA, 3µ" GOLD ON TAIL
-SM: 30µ" SELECTIVE GOLD IN CONTACT AREA, MATTE TIN ON TAIL
-TM: MATTE TIN CONTACT AND TAIL
-LM: 10µ" SELECTIVE GOLD IN CONTACT AREA, MATTE TIN ON TAIL
-FM: 3µ" SELECTIVE GOLD IN CONTACT AREA, MATTE TIN ON TAIL

ROW SPECIFICATION
-D: DOUBLE (USE STMM-XX-D-LC)

PACKAGING
BLANK: TUBES (SEE NOTE 10)
-TR: TAPE & REEL (SEE NOTE 11 & 12)
-FR: FULL REEL QTY TAPE & REEL (SEE NOTE 11 & 12)
(-XR FOR SM OPTION ONLY.)

PICK & PLACE OPTION
-P: PICK AND PLACE PAD (3 POS MINIMUM) (USE PPP-24, SEE FIG 4 SHT 2)
-M: METAL PICK AND PLACE PAD (-SM OPTION ONLY) (3 POS MINIMUM) (USE MPP-07, SEE FIG 5 SHT 2) (SEE NOTE 8)
-K: POLYIMIDE FILM PAD (SEE FIG 6, SHT 2) (USE K-DOT-.295-.406-.005)
(ALL OPTIONS NOT AVAILABLE WITH -RA OPTION)

POLARIZED OPTION
XX = PIN NO TO BE OMITTED

OPTION
-LC: LOCKING CLIP (SEE NOTE 9)
(USE LC-05-TM FOR THROUGH HOLE, SEE FIG 1, * DIMS)
(USE LC-07-TM FOR -SM, SEE FIG 3, SHT 2 * DIMS)
(NOT AVAILABLE FOR -RA)

TAIL OPTION
LEAVE BLANK FOR THROUGH HOLE (SEE FIG 1 & TABLE 1 SHT 1)
-RA: RIGHT ANGLE (SEE FIG 2 -RA & TABLE 1 SHT 1)
-SM: SURFACE MOUNT (SEE TABLE 1 SHT 1 & TABLE 2 SHT 2)

- NOTES:
- MAX PIN ROTATION IN BODY TO BE 2°.
 - PUSHOUT FORCE TO BE 1 lb. MIN.
 - ⊕ REPRESENTS CRITICAL DIMS.
 - DIMENSIONS IN [] ARE IN MILLIMETERS.
 - FOR LOCKING CLIPS: 12 OZ. MIN RETENTION
 - MEASURE AT BEND.
 - ORIENTATE PINS TO REDUCE THE NUMBER OF BANDOLIER MARKS IN THE POST AREA. (SEE TABLE 4)
 - M OPTION NOT RECOMMENDED WITH -T OR -TM PLATING
 - OPTIONS FOR LEAD FREE PROCESSING: DUE TO THE HIGH AMOUNT OF INSERTION FORCE NEEDED, THE -LC OPTION IS NOT COMPATIBLE WITH AUTO PLACEMENT. SAMTEC RECOMMENDS MANUAL PLACEMENT FOR ALL ASSEMBLIES WITH THE -LC OPTION. TUBES ARE STANDARD PACKAGING.
 - ORDERS WILL BE PACKAGED ACCORDING TO THE SAMTEC PACKAGING EFFICIENCY STANDARDS (SPES) FOUND ON WWW.SAMTEC.COM.
 - ATTACH LABEL TO EACH REEL.

THROUGH HOLE (SEE FIG. 1)	LEAD STYLE	"A" REF	"B" REF	"C" REF	PIN A	"L" REF TERMINAL LENGTH	"D" REF	PIN B	"L" REF TERMINAL LENGTH	"D" REF
THROUGH HOLE (SEE FIG. 1)	-01	.100 [2.54]	.092 [2.3]	N/A	T-1S13-04-XX-2	.255 [6.48]	.280 [7.11]	N/A	.255 [6.48]	N/A
	-02	.120 [3.05]	.117 [3.0]	N/A	T-1S13-07-XX-2	.302 [7.67]	.307 [7.80]	N/A	.302 [7.67]	N/A
RIGHT ANGLE (SEE FIG. 2)	-01	.100 [2.5]	.232 [5.9]	.390 [9.9]	T-1S13-05-XX-2	.397 [10.08]	.422 [10.71]	T-1S13-06-XX-2	.555 [14.10] REF	.580 [14.73]
	-02	.120 [3.0]	.228 [5.8]	.386 [9.8]	T-1S13-19-XX-2	.413 [10.49]	.438 [11.13]	T-1S13-22-XX-2	.571 [14.50] REF	.576 [14.63]
SURFACE MOUNT (SEE FIG. 3)	-01	.100 [2.54]	.172 [4.4]	N/A	T-1S13-07-XX-2	.302 [7.67]	.327 [8.31]	N/A	SEE TABLE 2	N/A
	-02	.120 [3.05]	.173 [4.4]	N/A	T-1S13-20-XX-2	.323 [8.20]	.328 [8.33]	N/A	SEE TABLE 2	N/A

MATERIAL:
BODY: LCP
COLOR: BLACK

TERMINAL:
PHOSPHOR BRONZE

PLOT SCALE: 1=.25

EXISPROD ASSEMBLY 2MM STMMASM

samtec

520 PARK EAST BLVD. NEW ALBANY, INDIANA 47150
PHONE (812) 944-6733 P.O. BOX 1147
CODE 55322

MADE BY: KOLB 1-28-92

STMM-1XX-XX-XX-D-XX-XX-XX-X-XX
SHEET 1 OF 3