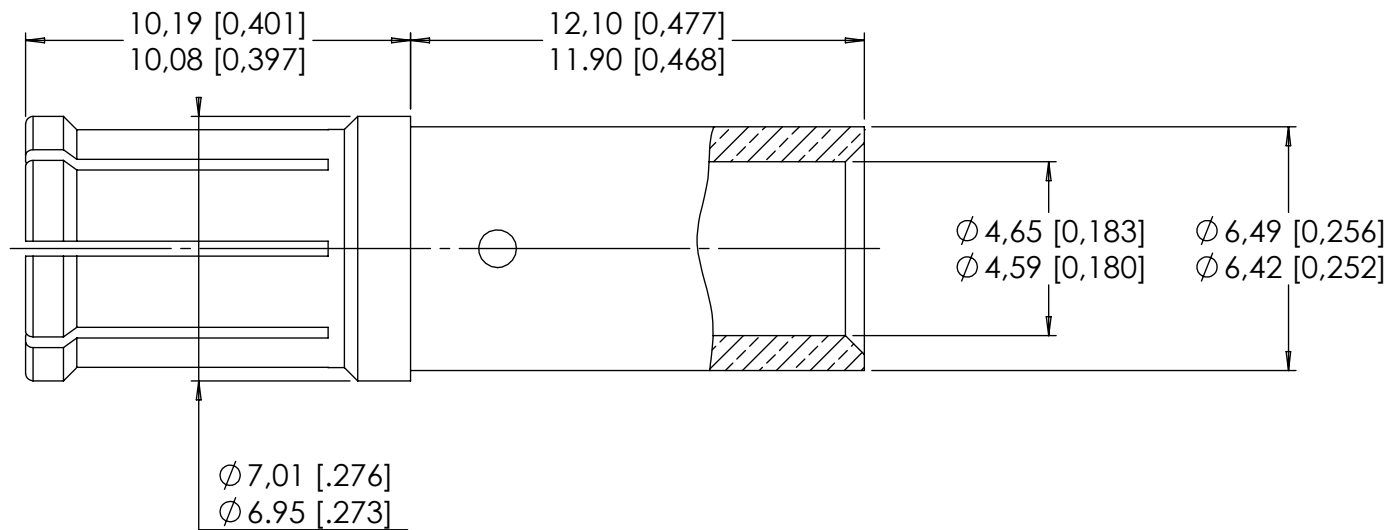
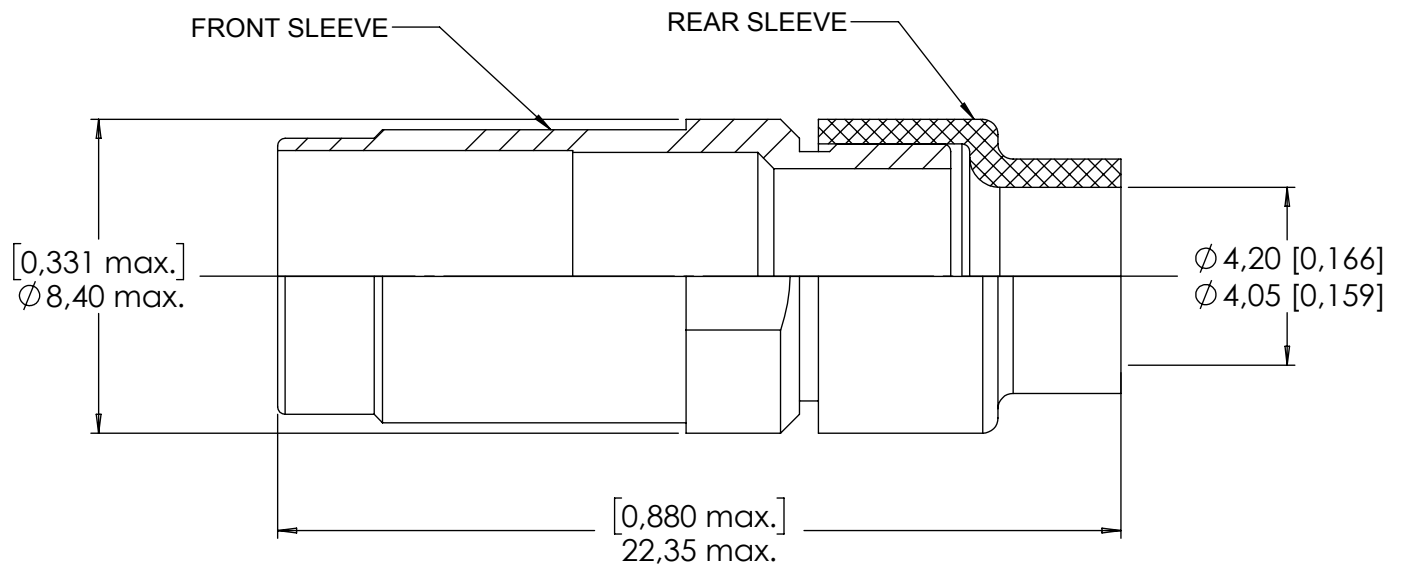
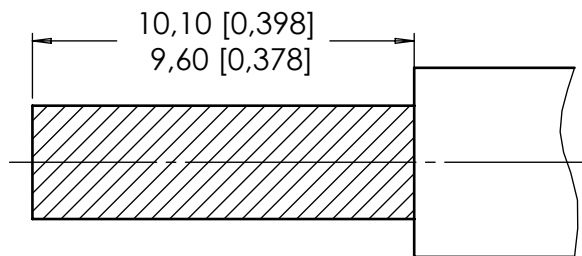


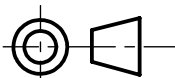
**Series**  
**EPX**
**ENVIRONMENTAL SIZE 5 POWER CRIMP SOCKET CONTACT**  
**FOR AWG 8 CABLE**
**Issue:**  
**Mar. 09, 2020**
**Page**  
**1/1**

**Environmental sleeve:**

**Cable stripped length:**

**MATERIALS AND FINISHES:**

- CONTACT BODY : Beryllium copper; gold over nickel plated,
- ENVIRONMENTAL SLEEVE :  
 Rear : Fluorosilicone.  
 Front : Thermoplastic.

**CRIMPING TOOL :** M22520/23-01  
**DIE SET :** M22520/23-02  
**LOCATOR :** RADIALL P/N: 282557021  
**EXTRACTION TOOL :** M81969/28-01, RADIALL P/N: 282946

**NOTES:**

- Environmental sleeve used with cable diameter from Ø4.79 [0,189] to Ø5.76 [0,227]

**DIMENSIONS : mm (inch are given for information only)**


Estimated weight : 3,75 g

| CREATION          |             |  |           |             |
|-------------------|-------------|--|-----------|-------------|
| PEN: M060400115A  | Mar. 09, 20 | Removed the note: PRODUCT NOT QUALIFIED                                | LOPEZ C.  | WEIHS H.    |
|                   | Aug. 23, 18 | Updated information to be conform with similar TDS: 617390 & 617939002 | LOPEZ C.  | WEIHS H.    |
| NOM: PAILOT N.    | Apr. 24, 18 | Updated TDS  | WeihS H.  | Moutault W. |
| DATE: 27 Nov 2006 | Dec 17, 12  | Modification of material of inserts.                                   | DELCLAUD  | LEGLOHAEC   |
| APPR.: PESSARD M. | Jan 19, 07  | the Locator P/N was 282 557 020  | Pailot N. | Pessard M   |
|                   | Issue       | Revisions  | Name      | Approved    |

This document contains proprietary information and such information shall not be disclosed to any third party for any purpose whatsoever or used for manufacturing purposes without prior written agreement from RADIALL. This information is given as an indication. In the continual goal to improve our products, we reserve the right to make any modifications judged necessary.