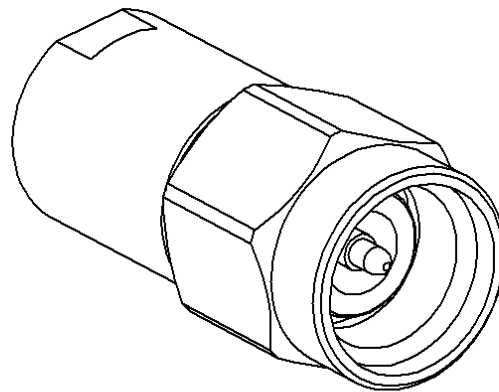
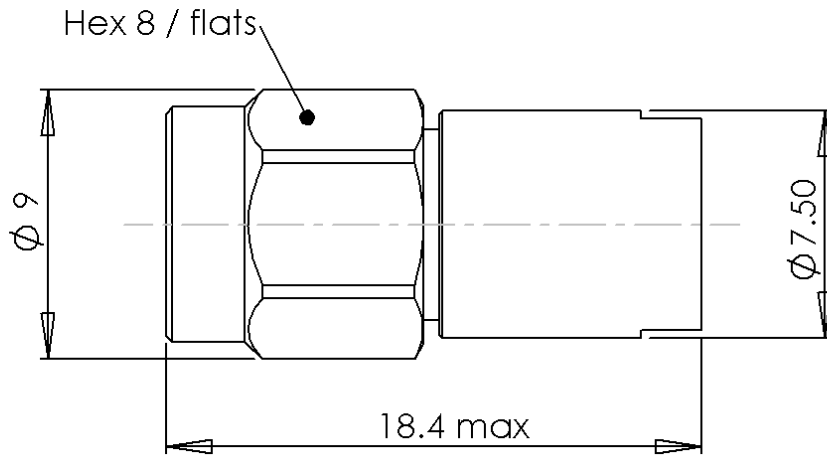
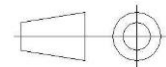


| | | | |
|----------|------------------------|----------------------|-------------------------------|
| PAGE 1/2 | ISSUE 23-04-15B | SERIES CHARGE | PART NUMBER R404280150 |
|----------|------------------------|----------------------|-------------------------------|



Scale 1:1

All dimensions are in mm.



| COMPONENTS | MATERIALS | PLATING (μm) |
|----------------|-------------------------|---------------------------|
| Body | STAINLESS STEEL | PASSIVATED |
| Center contact | BERYLLIUM COPPER | GOLD OVER NICKEL |
| Outer contact | - | - |
| Insulator | ULTEM | |
| Gasket | SILICONE RUBBER | |
| Substrate | ALUMINA | |
| Resistor | THIN FILM | |
| Others parts | - | - |

| | | | |
|----------|------------------------|-------------------------|-------------------------------|
| PAGE 2/2 | ISSUE 23-04-15B | SERIES CHARGE | PART NUMBER R404280150 |
|----------|------------------------|-------------------------|-------------------------------|

ELECTRICAL CHARACTERISTICS

Frequency (GHz) **DC - 40**
V.S.W.R (≤) **1.18**

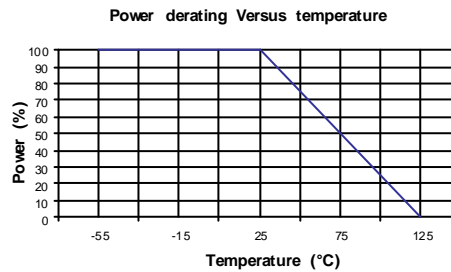
| | | |
|------------------------------|----------------|-----------------------|
| Operating Frequency Range | DC - 40 | GHz |
| Impedance | 50 | Ω |
| DC Resistance | 50 | Ω ± 5% |
| Peak power at 25°C (1μs, 1%) | 50 | W |
| Average power at 25°C | 1 | W (Free Air Cooled) |
| | | W (Conduction Cooled) |

MECHANICAL CHARACTERISTICS

| | | | |
|------------|-----------------|-------------|--------------------|
| Connectors | SMA2.9 | Male | MIL C 39012 |
| Weight | 4,8500 g | | |

ENVIRONMENTAL CHARACTERISTICS

| | | |
|-----------------------------|-----------------|----|
| Operating temperature range | -55/+125 | °C |
| Storage temperature range | -55/+125 | °C |



SPECIFICATION

OTHER CHARACTERISTICS