

REV.	DESCRIPTION	DRAWN	DATE
2	Revised plated to 10u" gold	Willis	2013/05/07
3	Corrected housing shape	FROS	2018/03/22
4	ECR2100006	FROS	2021/03/10

SPECIFICATION:

1. ELECTRICAL
 - 1.1 Current Rating: 1.5A
 - 1.2 Voltage Rating: 100V AC/DC
 - 1.3 Contact Resistance: 30mΩ
 - 1.4 Insulation Resistance: 1000MΩ
 - 1.5 Dielectric Withstanding Voltage: 500VDC
2. MECHANICAL
 - 2.1 Durability: 10000 Cycle
 - 2.2 Insertion Force: 28.8N max.
 - 2.3 Extraction Force: 3.7~24.5N max.
3. ENVIRONMENTAL
 - 3.1 Operating temperature range: -40°C~+85°C
 - 3.2 Storage temperature range: -40°C~+85°C
4. SOLDER ABILITY
 - 4.1 Recommended IR Reflow Temperature: 260°C

Datecode: YWWD

8	Hook	Stainless Steel
7	Crank	Stainless Steel
6	Spring	Piano Wire
5	Slider	LCP UL94V-0 Black
4	Hold down	Brass C2680, 0.2t, Tin Plating
3	Shell	Stainless Steel SUS304, 0.2T
2	Contact	Phosphor Bronze C5210, 0.2t, 10u" Gold
1	Housing	LCP UL94V-0 Black
NO.	PART NAME	DESCRIPTION

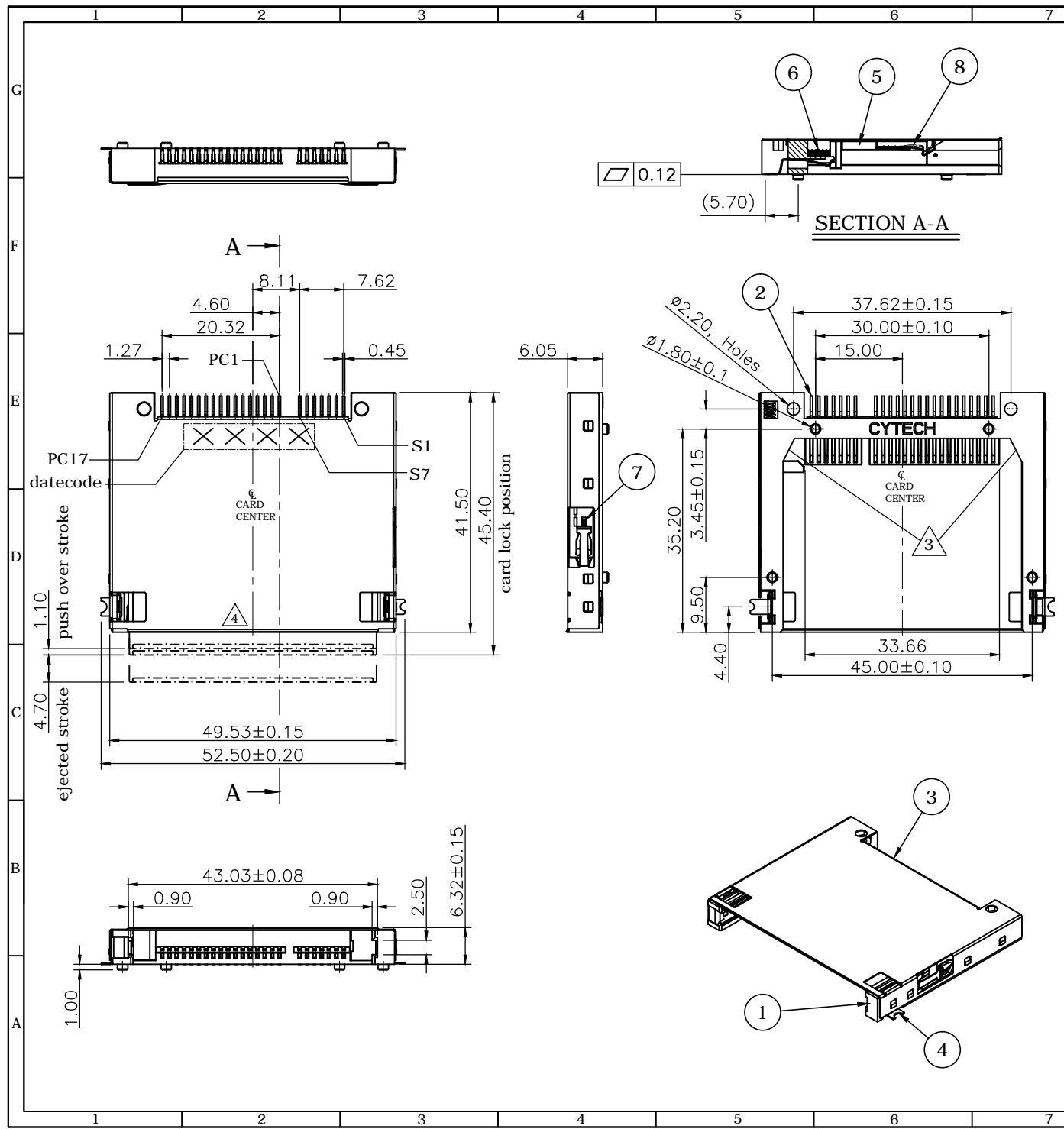
UNLESS OTHERWISE SPECIFIED TOLERANCE

UNIT:	DECIMAL	LINEAR	ANGLES
mm	X.	±0.50	±5°
	X.X	±0.25	±3°
	X.XX	±0.12	±1°

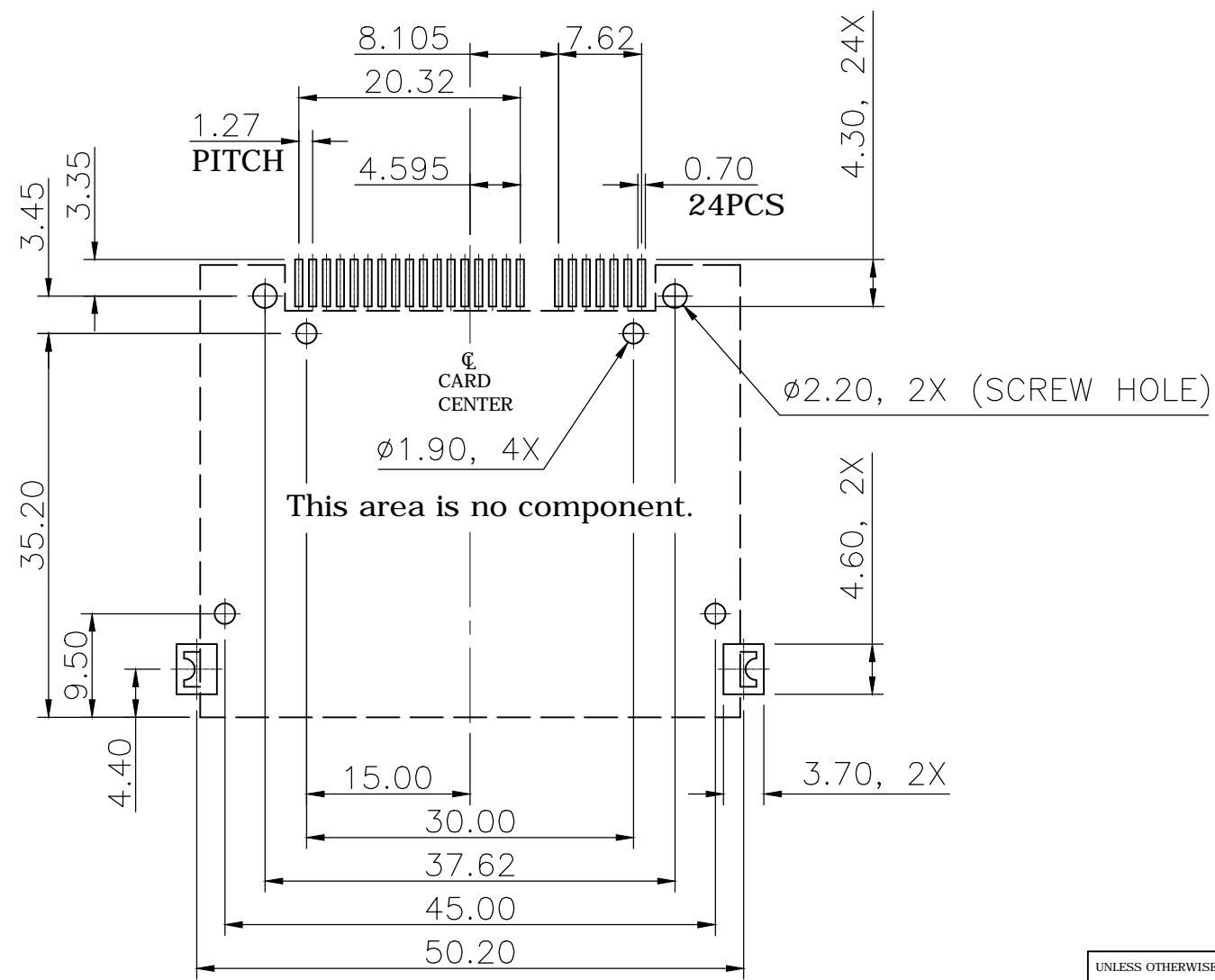


www.attend.com.tw


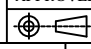
DRAWN	Willis	2012/07/04	DRAWN NAME:	CFAST Socket 6.05H TypeII Push-Push Type			
CHECKED	Angel	2012/07/04					
APPROVED	Ken	2012/07/04	PRODUCT NO.	120C-605D00			
SCALE	1/1	SHEET	1/2	SIZE	A4	FILE NAME	120C-605D00_B_3



REV.	DESCRIPTION	DRAWN	DATE
	see sheet one		



RECOMMENDED LAYOUT (TOP VIEW)
GENERAL TOLERANCE: ±0.05

UNLESS OTHERWISE SPECIFIED TOLERANCE					
UNIT:	DECIMAL	LINEAR	ANGLES		
mm	X.	±0.50	±5°	www.attend.com.tw	
	X.X	±0.25	±3°		
	X.XX	±0.12	±1°		
DRAWN	Willis	2012/07/04	DRAWN NAME:		
CHECKED	Angel	2012/07/04	CFAST Socket 6.05H TypeII Push-Push Type		
APPROVED	Ken	2012/07/04	PRODUCT NO.	120C-605D00	
	SCALE 1.6	SHEET 2/2	SIZE A4	FILE NAME	120C-605D00_B_3