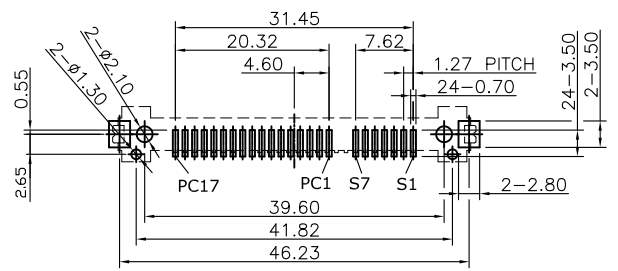
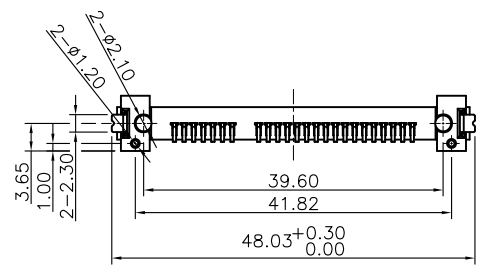
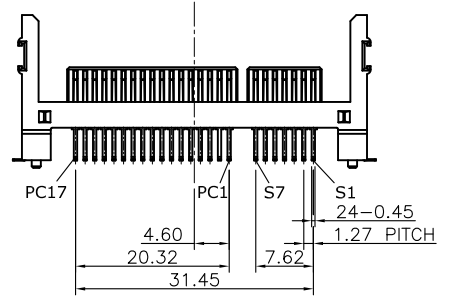
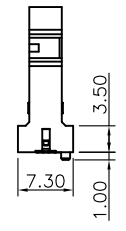
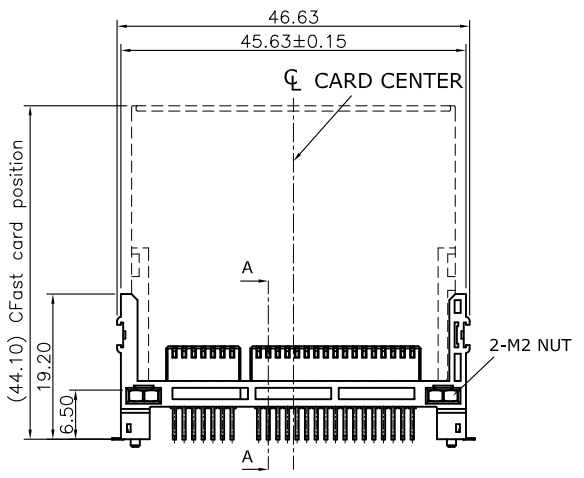
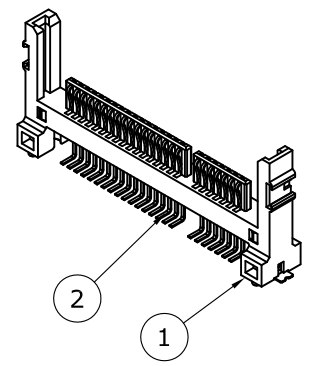
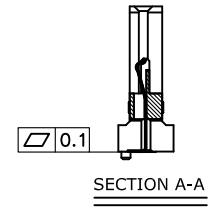
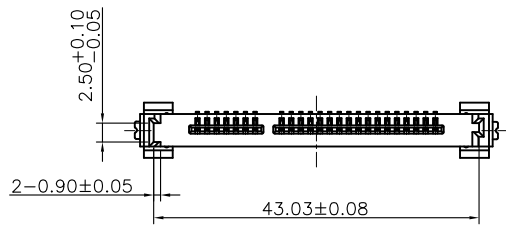


REV.	DESCRIPTION	DRAWN	DATE
1	Initial Release	TIM	2017/02/23



SPECIFICATION:

1. ELECTRICAL
 - 1.1 Current Rating: 1.5A
 - 1.2 Voltage Rating: 30V AC/DC
 - 1.3 Contact Resistance: 30mΩ
 - 1.4 Insulation Resistance: 1000MΩ
 - 1.5 Dielectric Withstanding Voltage: 500VAC
2. MECHANICAL
 - 2.1 Durability: 10,000 Cycle
 - 2.2 Insertion Force: 28N max.
 - 2.3 Extraction Force: 3.7N~24.5N max.
3. ENVIRONMENTAL
 - 3.1 Operating temperature range: -40 °C~+85°C
 - 3.2 Storage temperature range: -40 °C~+85°C
4. SOLDER ABILITY
 - 4.1 Recommended IR Reflow Temperature: 260°C

2	CONTACT	Phosphor Bronze, contact area: Gold solder area: matte Tin, under plating: Nickel	
1	HOUSING	LCP, UL94V-0, Black	
NO. PART NAME		DESCRIPTION	
UNLESS OTHERWISE SPECIFIED TOLERANCE			
UNIT:	DECIMAL	LINEAR	ANGLES
	X.	±0.50	±5°
	X.X	±0.25	±3°
mm	X.XX	±0.12	±1°
WWW.ATTEND.COM.TW			
DRAWN	Tim	2017/02/23	DRAWN NAME:
CHECKED	Fros	2017/02/23	CFast Socket Vertical Type , SMT, w/o Lock, 30u"
APPROVED	Ken	2017/02/23	PRODUCT NO. 120E-0G00
SCALE	SHEET	SIZE	FILE NAME
1/1	1/1	A4	120E-0G00_B_1