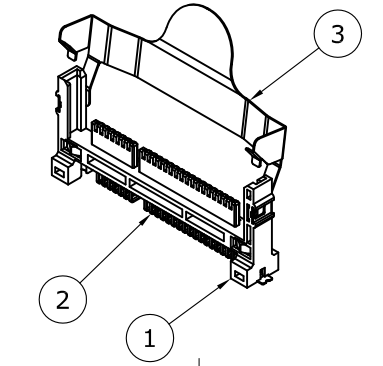
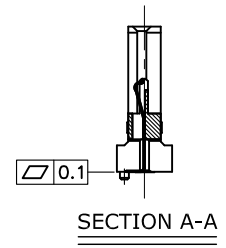
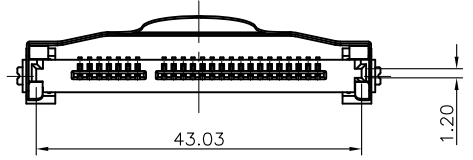
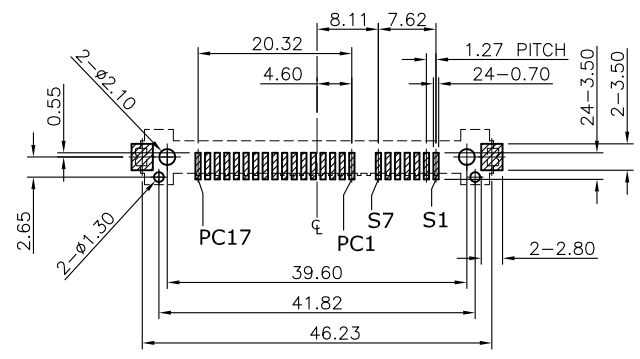
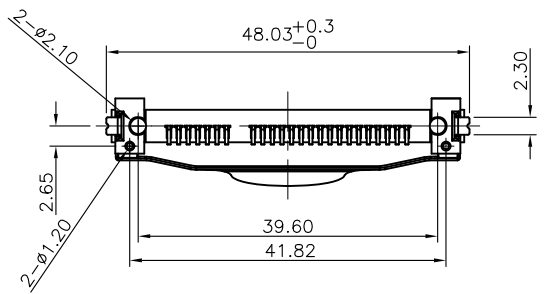
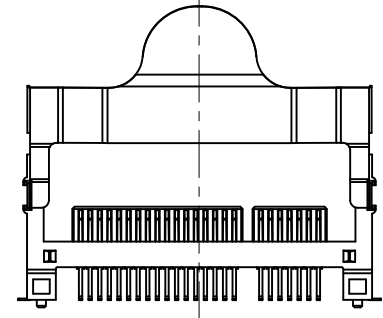
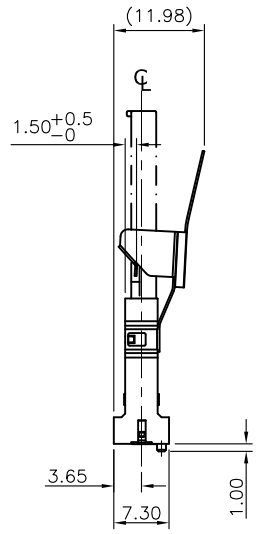
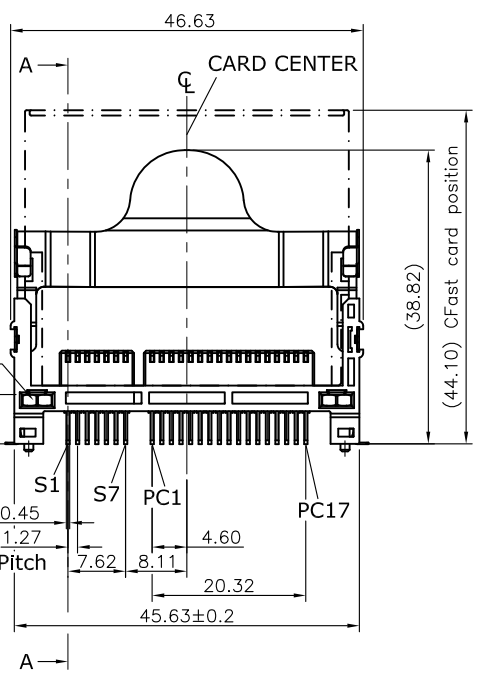


REV.	DESCRIPTION	DRAWN	DATE
1	INITIAL RELEASE	FROS	2017/02/23



SPECIFICATION:

1. ELECTRICAL
 - 1.1 Current Rating: 1.5A
 - 1.2 Voltage Rating: 30V AC/DC
 - 1.3 Contact Resistance: 30mΩ
 - 1.4 Insulation Resistance: 1000MΩ
 - 1.5 Dielectric Withstanding Voltage: 500VAC
2. MECHANICAL
 - 2.1 Durability: 10,000 Cycle
 - 2.2 Insertion Force: 28N max.
 - 2.3 Extraction Force: 3.7N~24.5N max.
3. ENVIRONMENTAL
 - 3.1 Operating temperature range: -40°C~+85°C
 - 3.2 Storage temperature range: -40°C~+85°C
4. SOLDER ABILITY
 - 4.1 Recommended IR Reflow Temperature: 260°C



RECOMMENDED LAYOUT (TOP VIEW)
GENERAL TOLERANCE: ±0.1mm

3	SPRING	Stainless Steel Sheet	
2	CONTACT	Phosphor Bronze, contact area: Gold solder area: matte Tin, under plating: Nickel	
1	HOUSING	LCP, UL94V-0, Black	
NO. PART NAME		DESCRIPTION	
UNLESS OTHERWISE SPECIFIED TOLERANCE			
UNIT:	DECIMAL	LINEAR	ANGLES
	mm	X, X.X	X, XX
		±0.50	±0.25
		±0.12	±5°
DRAWN: Fros 2017/02/23			
DRAWN NAME: CFast Socket Vertical Type SMT, w/ Lock, 30u"			
CHECKED: Tim 2017/02/23			
APPROVED: Ken 2017/02/23			
SCALE: 1/1		SHEET: 1/1	
SIZE: A4		FILE NAME: 120E-1G00_B_1	



WWW.ATTEND.COM.TW