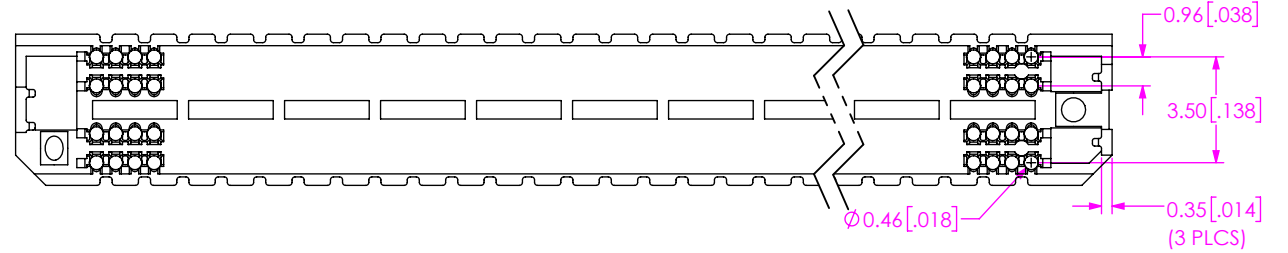
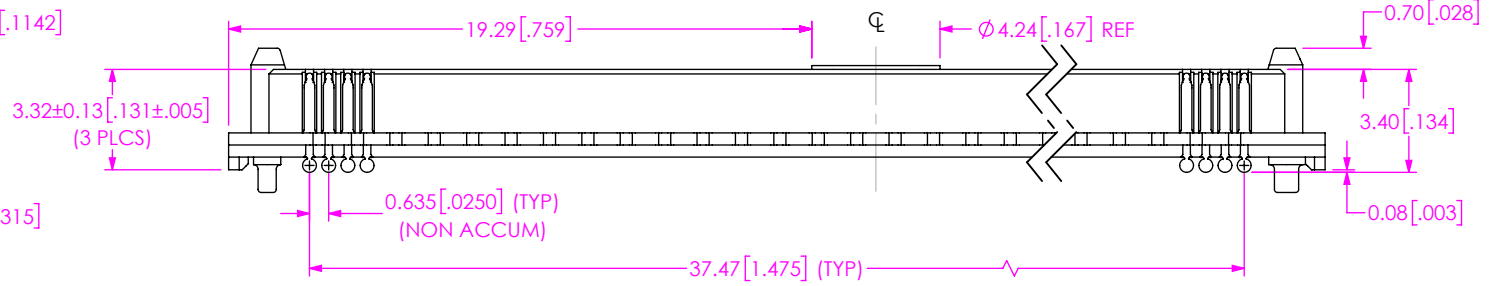
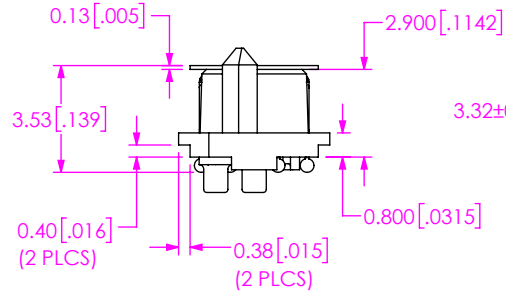
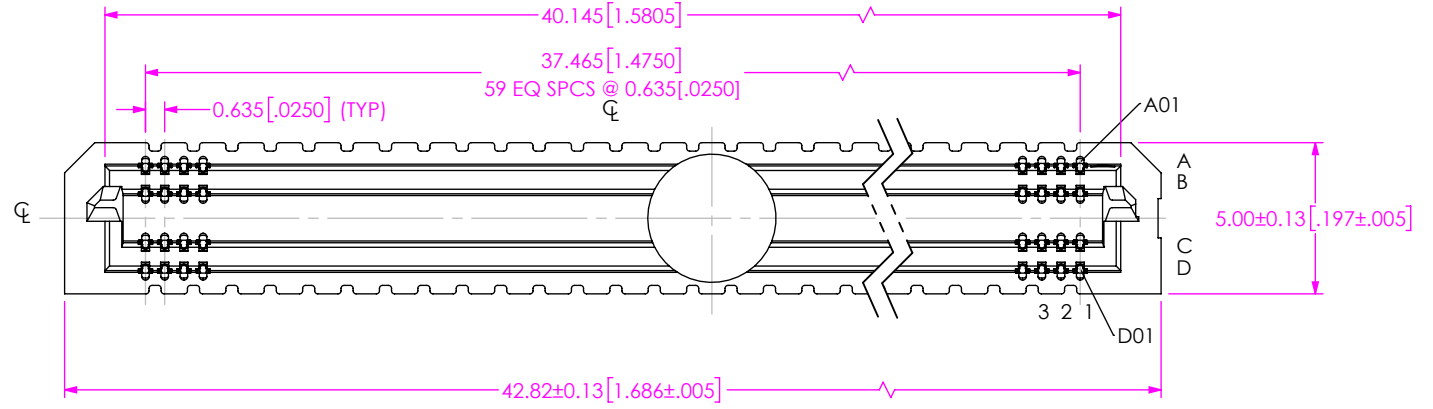
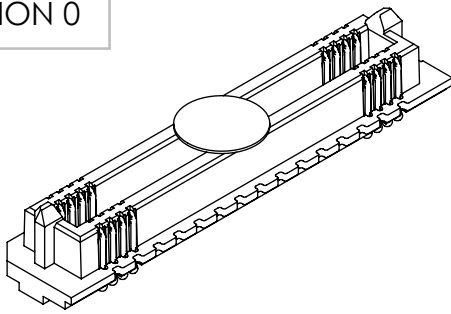


**DESIGNED AND DIMENSIONED IN MILLIMETERS[INCHES]
ALL DIMENSIONS REFERENCE EXCEPT AS SHOWN**

**SOME CENTER FEATURES
OMITTED FOR CLARITY**



1. K-DOT PROVIDED AS STANDARD.
2. PARTS TO BE PACKAGED IN TAPE & REEL
3. ORDERS WILL BE PACKAGED ACCORDING TO THE SAMTEC PACKAGING EFFICIENCY STANDARDS (SPES) FOUND ON WWW.SAMTEC.COM
4. ATTACH LABEL-4X2 TO EACH REEL.

PROPRIETARY NOTE

THIS DOCUMENT CONTAINS CONFIDENTIAL AND PROPRIETARY INFORMATION AND ALL DESIGN, MANUFACTURING, REPRODUCTION, USE, PATENT RIGHTS AND SALES RIGHTS ARE EXPRESSLY RESERVED BY SAMTEC, INC. THIS DOCUMENT SHALL NOT BE DISCLOSED, IN WHOLE OR PART, TO ANY UNAUTHORIZED PERSON OR ENTITY NOR REPRODUCED, TRANSFERRED OR INCORPORATED IN ANY OTHER PROJECT IN ANY MANNER WITHOUT THE EXPRESS WRITTEN CONSENT OF SAMTEC, INC.



520 PARK EAST BLVD, NEW ALBANY, IN 47150
PHONE: 812-944-6733 FAX: 812-948-5047
e-Mail info@SAMTEC.com code 5332

DO NOT SCALE DRAWING SHEET SCALE: 4:1

MATERIAL:
INSULATOR: LCP, COLOR BLACK
CONTACT: COPPER ALLOY
PLATING:
CONTACT AREA: 10µ" SELECTIVE GOLD
REMAINDER: MATTE TIN
F:\DWG\SW\Ref\226000\REF-226081-01.slddrw

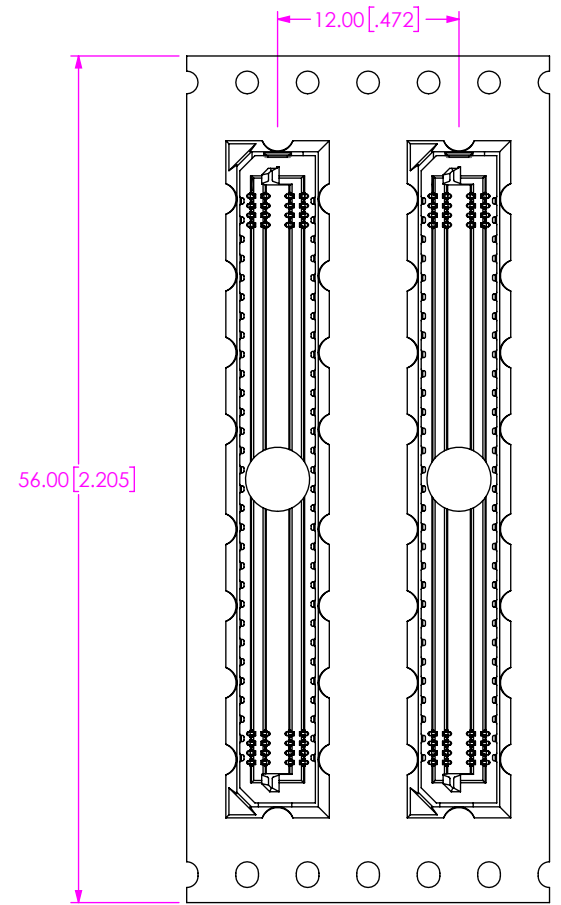
DESCRIPTION:

ADM6 ASSEMBLY

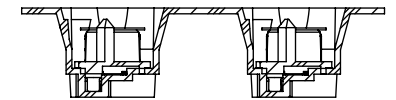
DWG. NO.

REF-226081-01

BY: J. BROWNING 01/26/2022 SHEET 1 OF 2



USER DIRECTION OF UN-REELING →
POCKET NOT DETAILED



PACKAGING VIEW

• PROPRIETARY NOTE •
THIS DOCUMENT CONTAINS CONFIDENTIAL AND PROPRIETARY INFORMATION AND ALL DESIGN, MANUFACTURING, REPRODUCTION, USE, PATENT RIGHTS AND SALES RIGHTS ARE EXPRESSLY RESERVED BY SAMTEC, INC. THIS DOCUMENT SHALL NOT BE DISCLOSED, IN WHOLE OR PART, TO ANY UNAUTHORIZED PERSON OR ENTITY NOR REPRODUCED, TRANSFERRED OR INCORPORATED IN ANY OTHER PROJECT IN ANY MANNER WITHOUT THE EXPRESS WRITTEN CONSENT OF SAMTEC, INC.



520 PARK EAST BLVD, NEW ALBANY, IN 47150
PHONE: 812-944-6733 FAX: 812-948-5047
e-Mail info@SAMTEC.com code 55322

DO NOT SCALE DRAWING

SHEET SCALE: 2:1

DESCRIPTION: ADM6 ASSEMBLY

DWG. NO. REF-226081-01

BY: J. BROWNING 01/26/2022 SHEET 2 OF 2