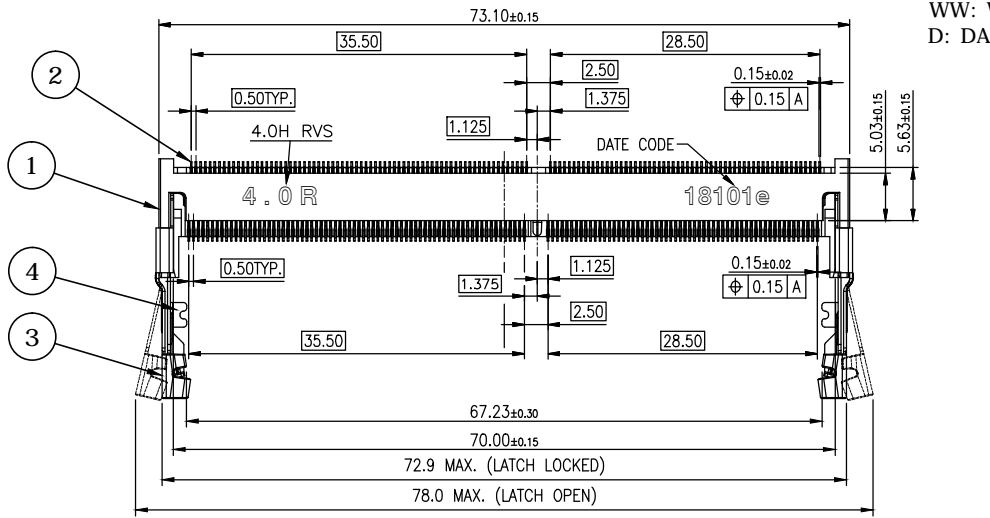


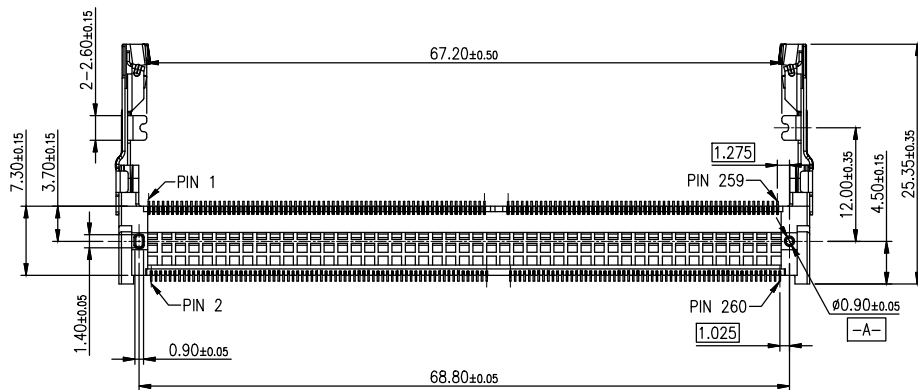
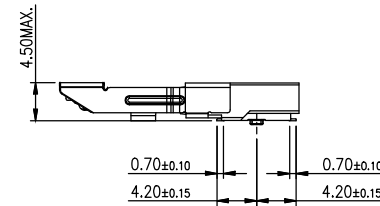
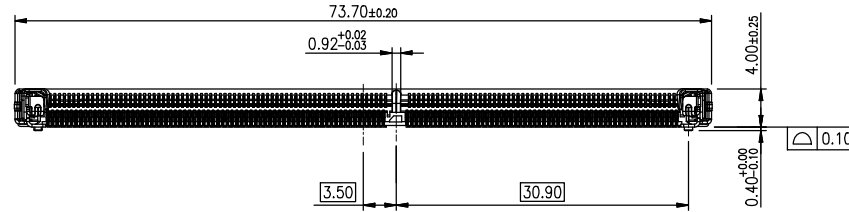
DATE CODE: 18101 (YYWW)
 YY: YEAR (2018)
 WW: WEEK (01~52)
 D: DAY (1~7)

REV.	DESCRIPTION	DRAWN	DATE
1	Initial release	FROS	2019/05/30



SPECIFICATION:

1. ELECTRICAL
 - 1.1 Current Rating: 0.6A per pin
 - 1.2 Voltage Rating: 25V AC
 - 1.3 Contact Resistance: 60mΩ max.
 - 1.4 Insulation Resistance: 100MΩ
 - 1.5 Dielectric Withstanding Voltage: 500VAC
2. MECHANICAL
 - 2.1 Durability: 50 Cycle
 - 2.2 Insertion Force: 59.8N max.
 - 2.3 Extraction Force: 44.6N max.
3. ENVIRONMENTAL
 - 3.1 Operating temperature range: -40°C~+85°C
 - 3.2 Storage temperature range: -40°C~+85°C
4. SOLDER ABILITY
 - 4.1 Recommended IR-Reflow Temperature: 260°C

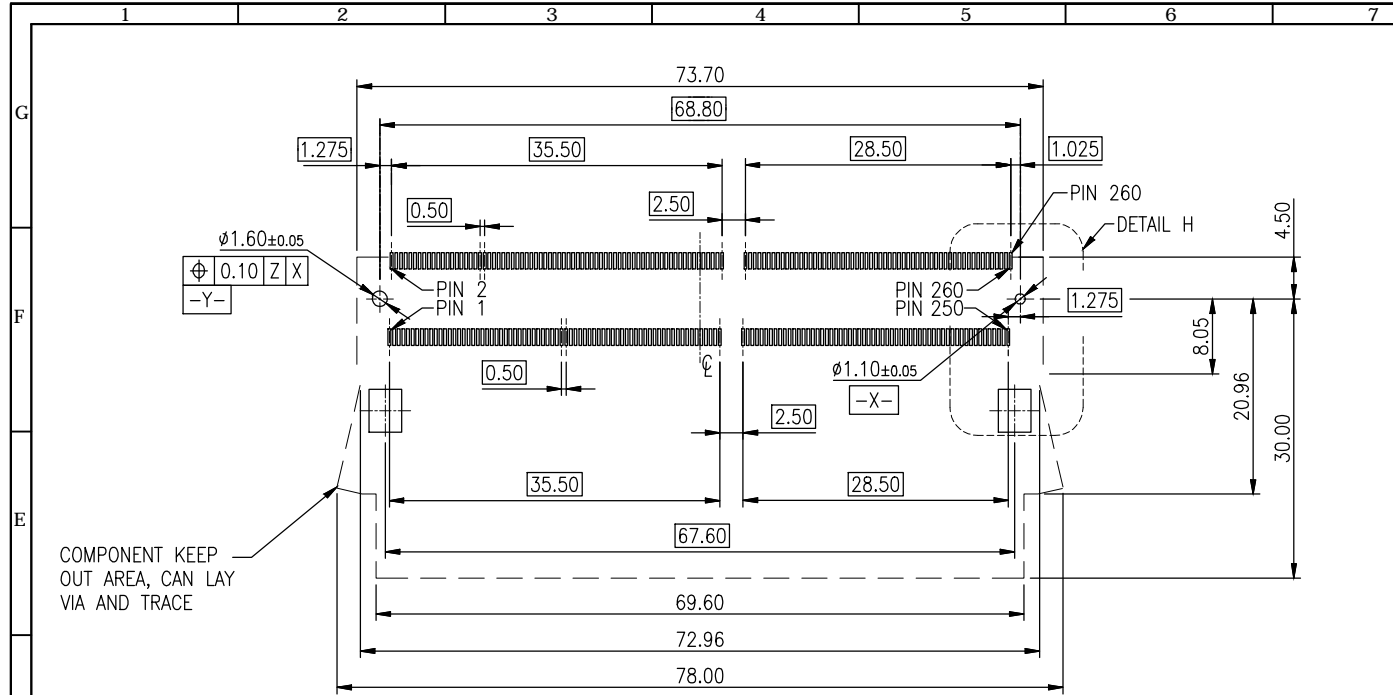


4	PEG	Stainless steel, 50u" min. tin plating over 50u" min. nickel plating
3	LATCH	Stainless steel
2	CONTACT	Copper alloy, contact area gold flash, solder area gold flash, under plating 50u" min. nickel
1	HOUSING	LCP, UL94V-0, black

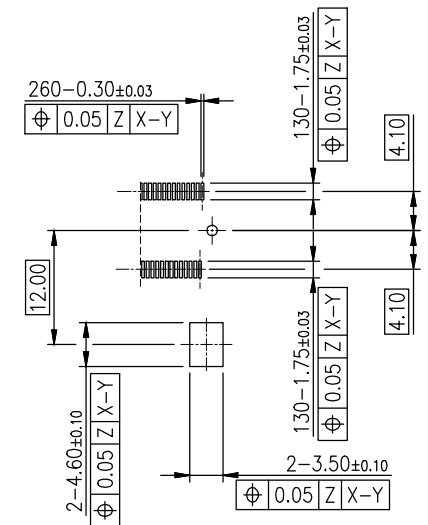
NO.		PART NAME		DESCRIPTION	
UNLESS OTHERWISE SPECIFIED TOLERANCE					
UNIT:	mm	DECIMAL	LINEAR	ANGLES	
		X.	±0.50	±5°	
		X.X	±0.25	±3°	
		X.XX	±0.12	±1°	
www.attend.com.tw					
DRAWN	Fros	2019/05/30	DRAWN NAME: DDR4 SODIMM Socket, Horizontal 4.0H, RVS, G/F, Black, Reel, Solder PEG		
CHECKED	Tim	2019/05/30			
APPROVED	Ken	2019/05/30	PRODUCT NO.	124A-40A13	
SCALE	1.25/1	SHEET	1/2	SIZE	A4
			FILE NAME	124A-40A13_B_1	



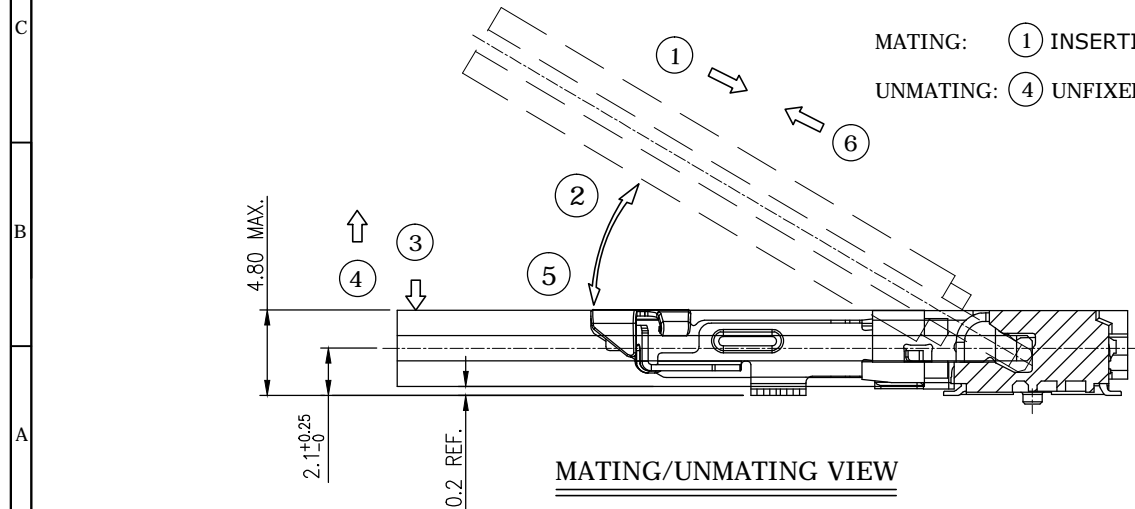
REV.	DESCRIPTION	DRAWN	DATE
	SEE SHEET ONE		



RECOMMENDED LAYOUT (TOP VIEW)
GENERAL TOLERANCE: ±0.05




DETAIL H
SCALE 1/1

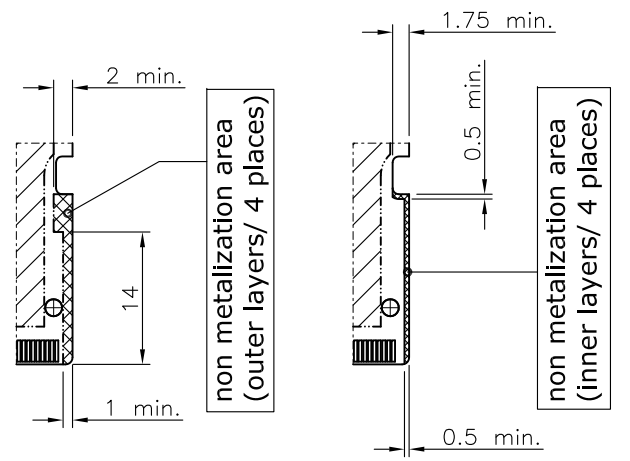
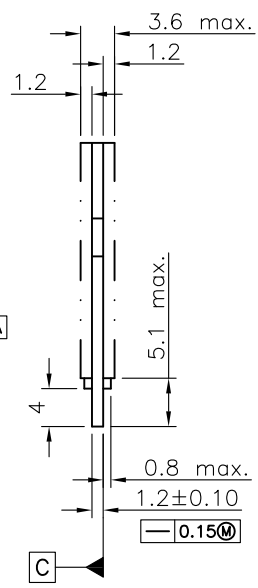
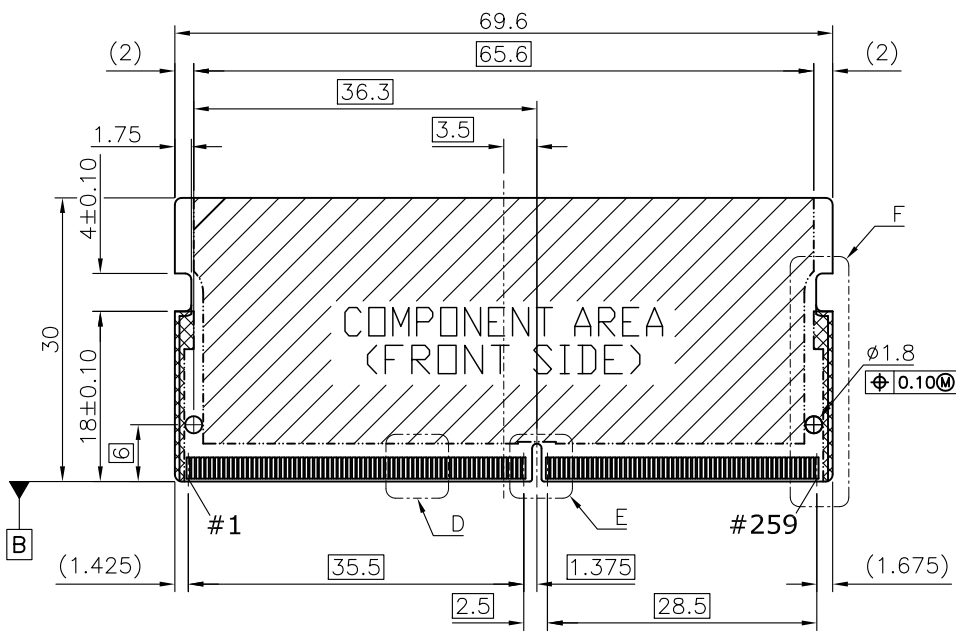


MATING/UNMATING VIEW

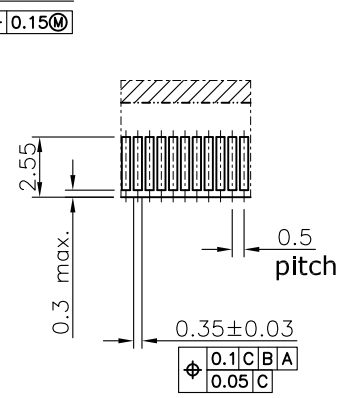
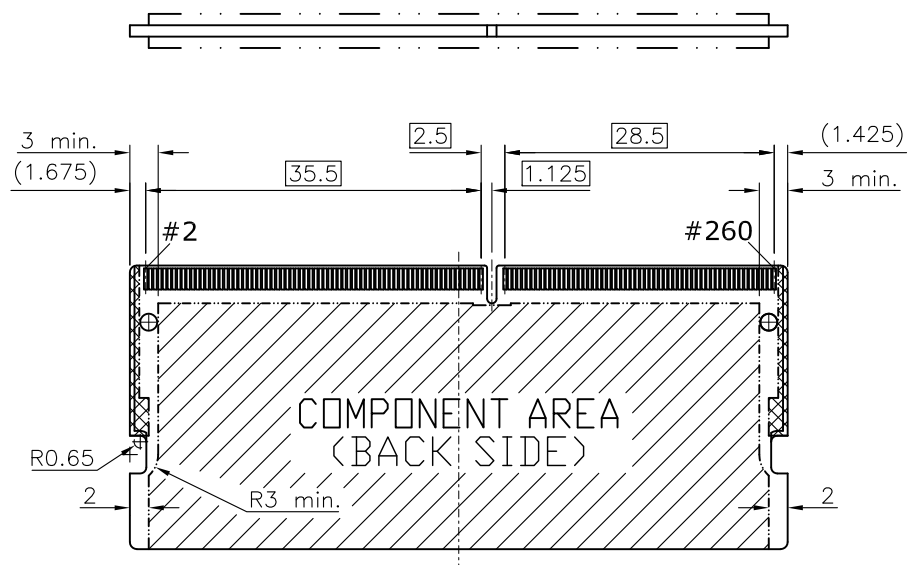
MATING: ① INSERTING(25°) → ② ROTATING(0°) → ③ FIXED
 UNMATING: ④ UNFIXED → ⑤ RISE UP (25°) → ⑥ EXTRACTING

UNLESS OTHERWISE SPECIFIED TOLERANCE					
UNIT:	DECIMAL	LINEAR	ANGLES		
mm	X.	±0.50	±5°	www.attend.com.tw	
	X.X	±0.25	±3°		
	X.XX	±0.12	±1°		
DRAWN	Fros	2019/05/30	DRAWN NAME: DDR4 SODIMM Socket, Horizontal 4.OH,		
CHECKED	Tim	2019/05/30	RVS, G/F, Black, Reel, Solder PEG		
APPROVED	Ken	2019/05/30	PRODUCT NO.	124A-40A13	
SCALE	1.6/1	SHEET	2/2	SIZE	A4
			FILE NAME	124A-40A13_B_1	

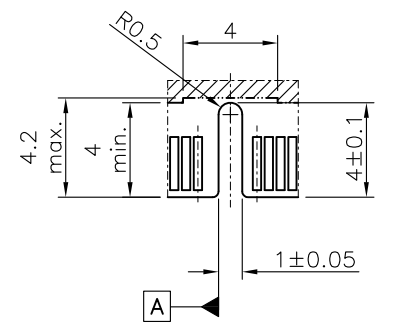
REV.	DESCRIPTION	DRAWN	DATE
1	INITIAL RELEASE	FROS	2017/02/23



Detail F




Detail D
SCALE 3.125

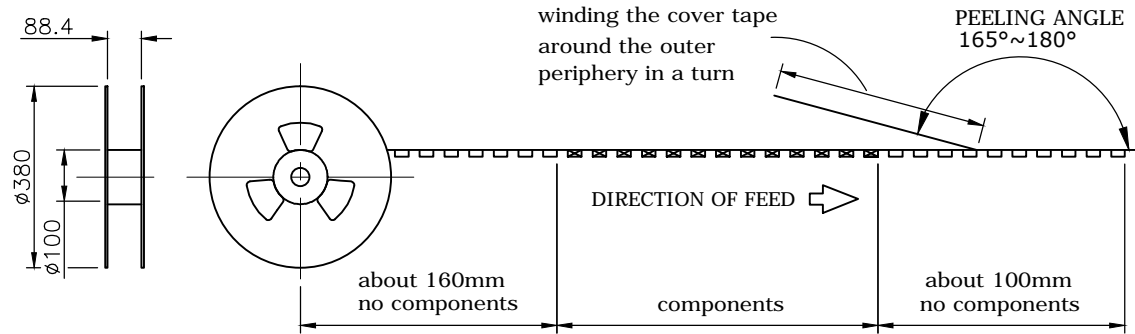


Detail E
SCALE 3.125

Note: tolerance on dimensions is ±0.15 unless otherwise specified.

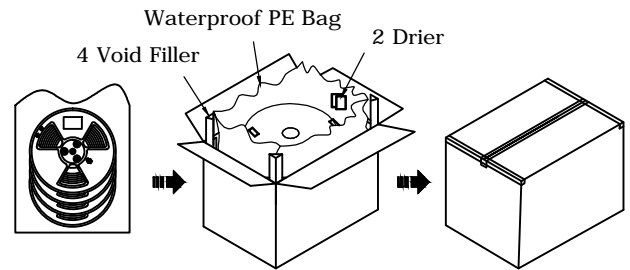
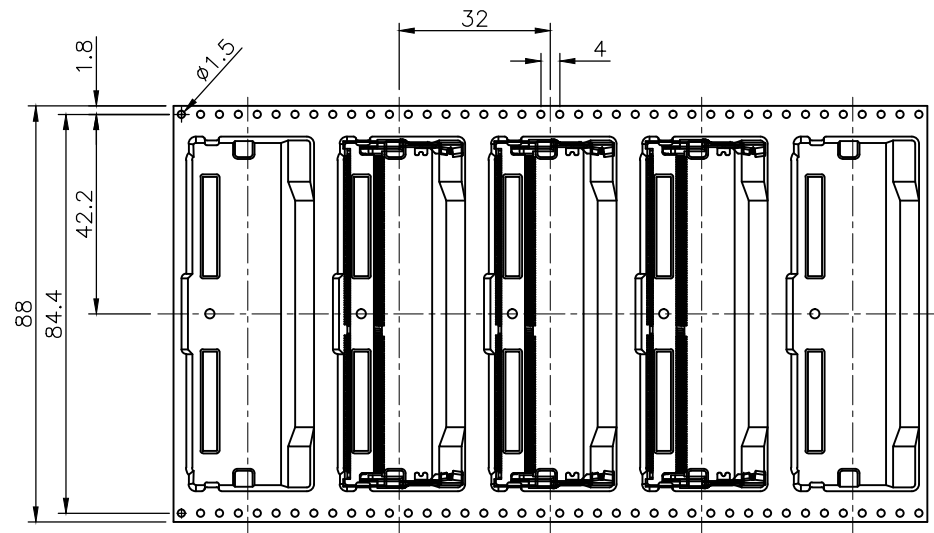
UNLESS OTHERWISE SPECIFIED TOLERANCE					
UNIT:	DECIMAL	LINEAR	ANGLES		
mm	X.	±0.50	±5°	www.attend.com.tw	
	X.X	±0.25	±3°		
	X.XX	±0.12	±1°		
DRAWN	Fros	2017/02/23	DRAWN NAME: DDR4 SODIMM CARD SPEC.		
CHECKED	Tim	2017/02/23	PRODUCT NO.		
APPROVED	Ken	2017/02/23	FILE NAME 124-CARD_B_1		
SCALE	SHEET	SIZE			
1.25/1	1/1	A4			

REV.	DESCRIPTION	DRAWN	DATE
1	INITIAL RELEASE	FROS	2019/06/10




PACKAGING SPECIFICATION:

1. MATERIAL
 - 1.1 Embossed Carrier Tape: PS Black
 - 1.2 Top Cover Tape: PET
20-80g(Peel Speed 300mm/Minute)
 - 1.3 Taping Reel: Plastic



Carton L*W*H= 405*405*320

P/N		REEL	CARTON
124A-40A03		500PCS	1500PCS
124A-40A13		500PCS	1500PCS
UNLESS OTHERWISE SPECIFIED TOLERANCE			
UNIT:	DECIMAL	LINEAR	ANGLES
	mm	X. ±0.50	±5°
		X.X ±0.25	±3°
	X.XX ±0.12	±1°	
			 www.attend.com.tw
DRAWN	Fros	2019/06/10	DRAWN NAME: DDR4 SODIMM Socket, Horizontal 4.0H, G/F, Reel, Solder Latch
CHECKED	Tim	2019/06/10	
APPROVED	Ken	2019/06/10	
		PRODUCT NO.	SEE TABLE
		SCALE	FILE NAME
		1/1	124A-40AX3_D_1
		SHEET	
		1/1	
		SIZE	
		A4	