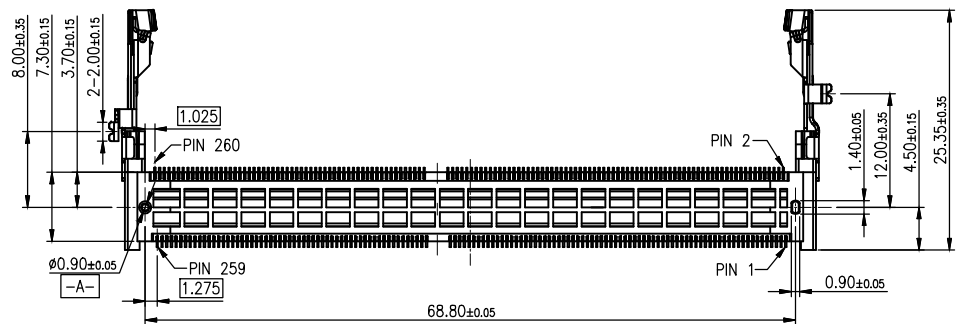
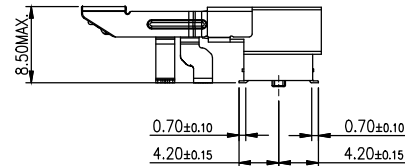
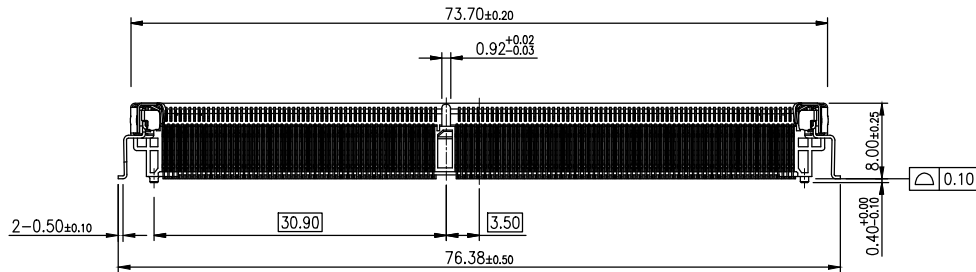
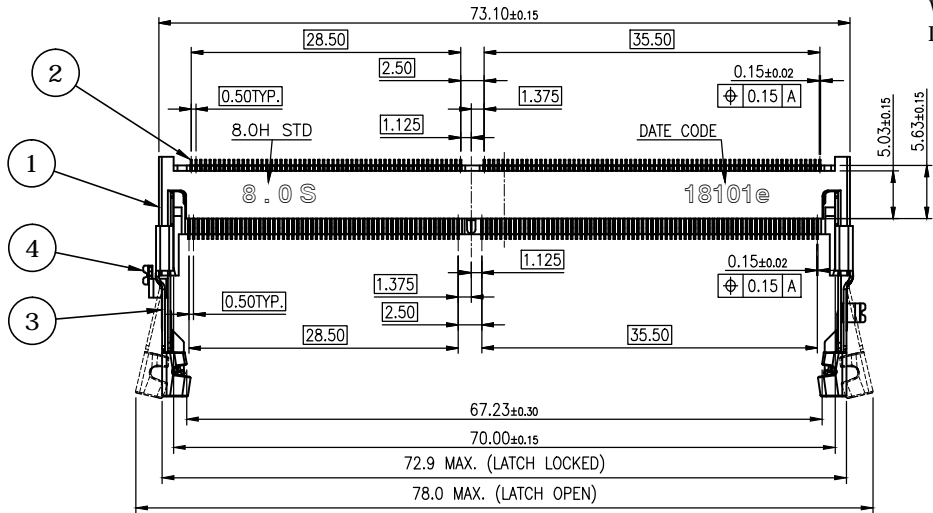


DATE CODE: 18101 (YYWW)
 YY: YEAR (2018)
 WW: WEEK (01~52)
 D: DAY (1~7)

REV.	DESCRIPTION	DRAWN	DATE
1	Initial release	FROS	2019/05/30



SPECIFICATION:

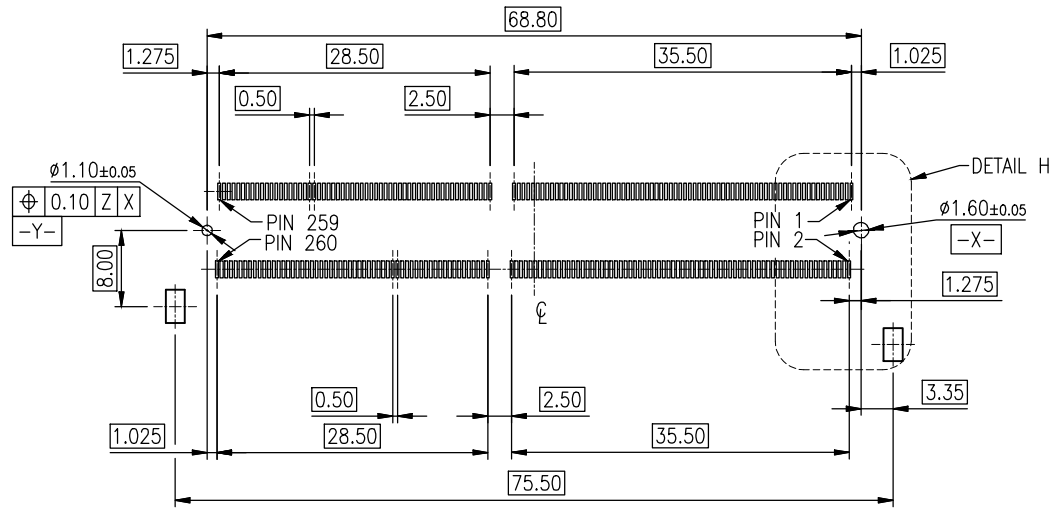
- ELECTRICAL**
 - Current Rating: 0.6A per pin
 - Voltage Rating: 25V AC
 - Contact Resistance: 60mΩ max.
 - Insulation Resistance: 100MΩ
 - Dielectric Withstanding Voltage: 500VAC
- MECHANICAL**
 - Durability: 50 Cycle
 - Insertion Force: 59.8N max.
 - Extraction Force: 44.6N max.
- ENVIRONMENTAL**
 - Operating temperature range: -40°C~+85°C
 - Storage temperature range: -40°C~+85°C
- SOLDER ABILITY**
 - Recommended IR-Reflow Temperature: 260°C

4	PEG	Stainless steel, 50u" min. tin plating over 50u" min. nickel plating
3	LATCH	Stainless steel
2	CONTACT	Copper alloy, contact area gold flash, solder area gold flash, under plating 50u" min. nickel
1	HOUSING	LCP, UL94V-0, black

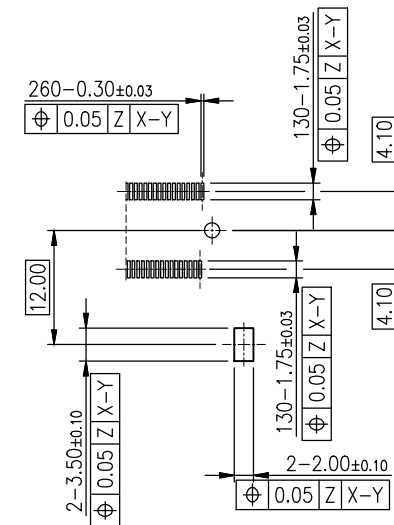
NO.		PART NAME		DESCRIPTION			
UNLESS OTHERWISE SPECIFIED TOLERANCE							
UNIT:	mm	DECIMAL	LINEAR	ANGLES			
		X.	±0.50	±5°			
		X.X	±0.25	±3°			
		X.XX	±0.12	±1°			
www.attend.com.tw							
DRAWN	Fros	2019/05/30	DRAWN NAME: DDR4 SODIMM Socket, Horizontal 8.0H, STD, G/F, Black, Reel, Solder PEG				
CHECKED	Tim	2019/05/30					
APPROVED	Ken	2019/05/30	PRODUCT NO.	124A-80A03			
SCALE	1.25/1	SHEET	1/2	SIZE	A4	FILE NAME	124A-80A03_B_1



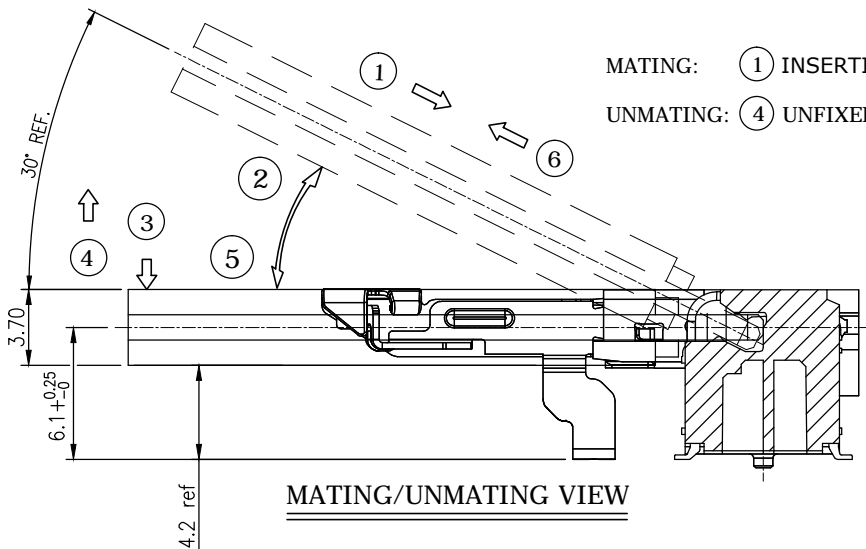
REV.	DESCRIPTION	DRAWN	DATE
	SEE SHEET ONE		



RECOMMENDED LAYOUT (TOP VIEW)
GENERAL TOLERANCE: ± 0.05


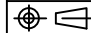


DETAIL H
SCALE 1.6/1

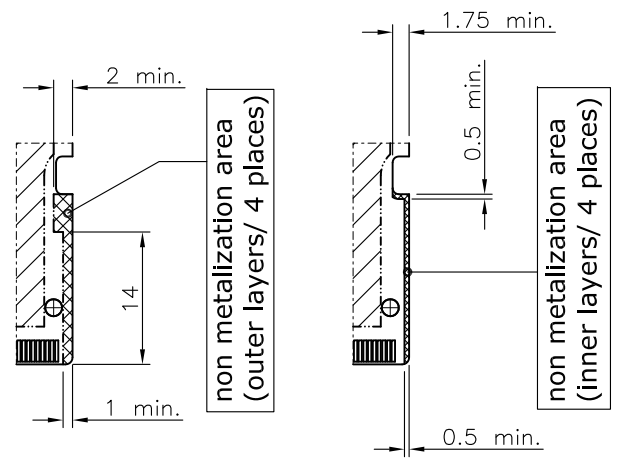
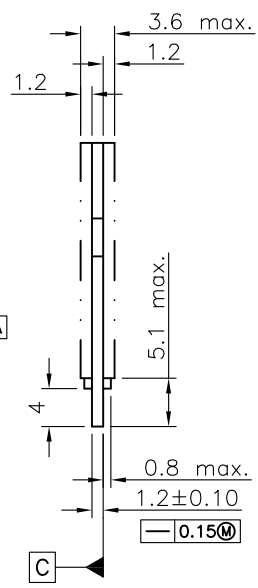
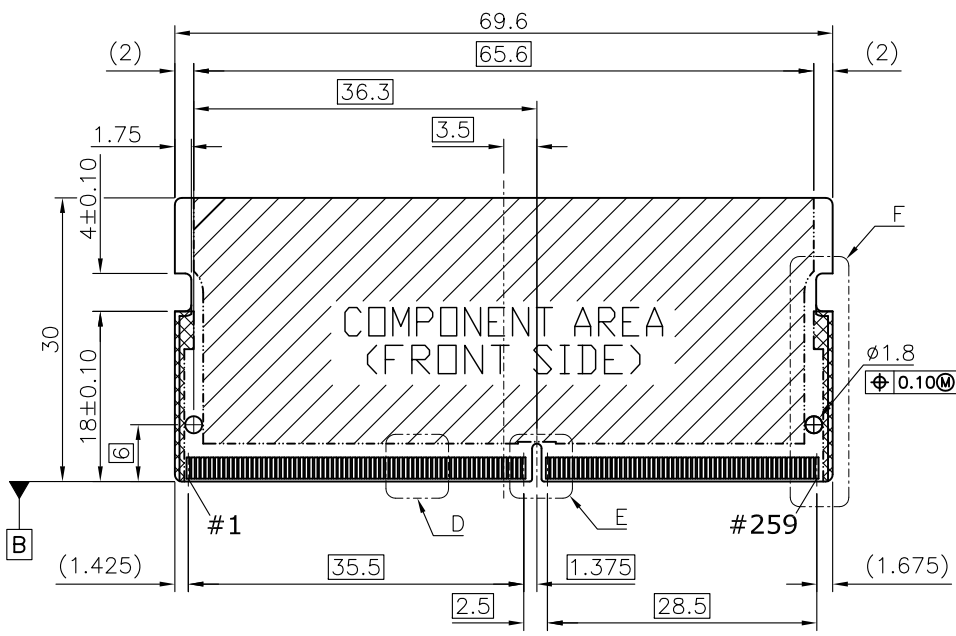


MATING/UNMATING VIEW

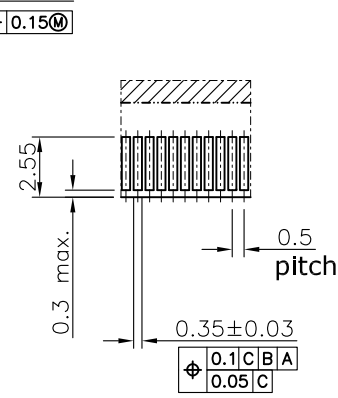
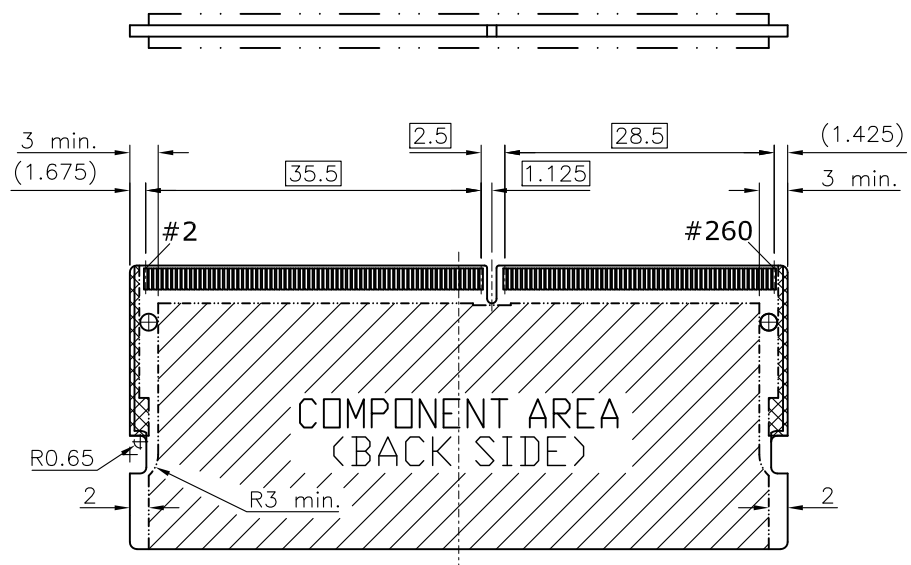
MATING: ① INSERTING(25°) → ② ROTATING(0°) → ③ FIXED
 UNMATING: ④ UNFIXED → ⑤ RISE UP (25°) → ⑥ EXTRACTING

UNLESS OTHERWISE SPECIFIED TOLERANCE				 www.attend.com.tw
UNIT:	DECIMAL	LINEAR	ANGLES	
mm	X.	± 0.50	$\pm 5^\circ$	
	X.X	± 0.25	$\pm 3^\circ$	
	X.XX	± 0.12	$\pm 1^\circ$	
DRAWN	Fros	2019/05/30	DRAWN NAME:	
CHECKED	Tim	2019/05/30	DDR4 SODIMM Socket, Horizontal 8.OH, STD, G/F, Black, Reel, Solder PEG	
APPROVED	Ken	2019/05/30	PRODUCT NO. 124A-80A03	
	SCALE 1.6/1	SHEET 2/2	SIZE A4	FILE NAME 124A-80A03_B_1

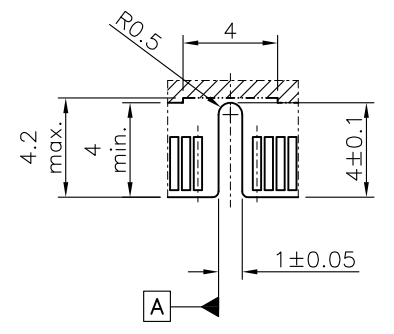
REV.	DESCRIPTION	DRAWN	DATE
1	INITIAL RELEASE	FROS	2017/02/23



Detail F




Detail D
SCALE 3.125

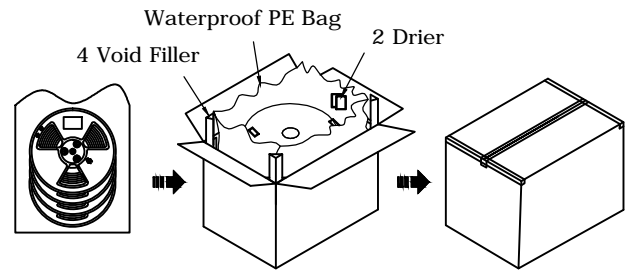
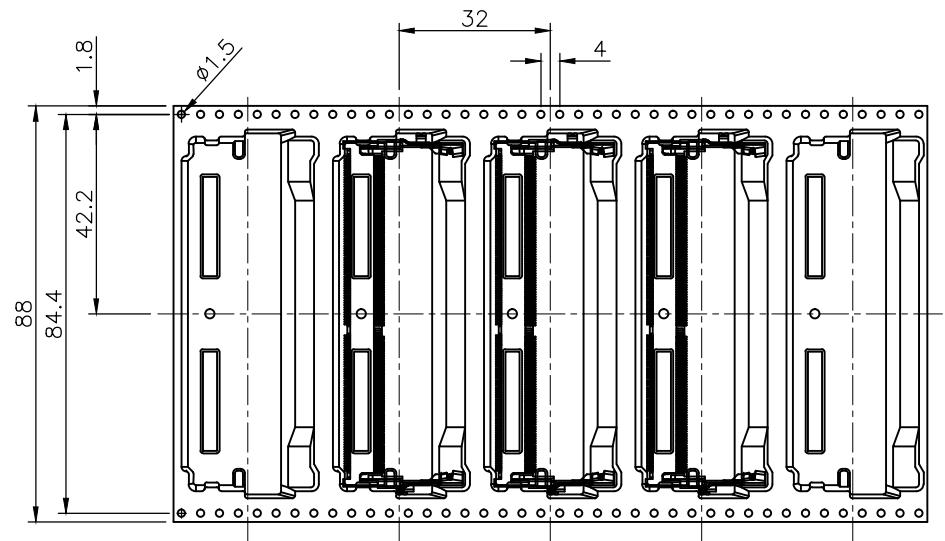
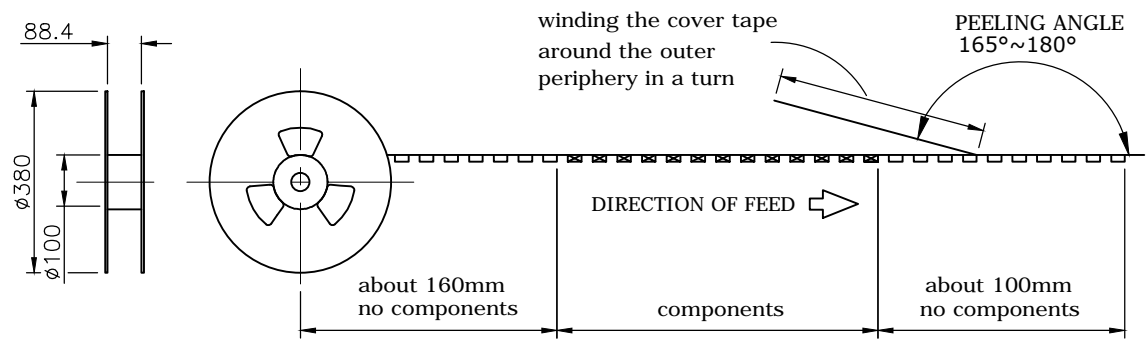


Detail E
SCALE 3.125

Note: tolerance on dimensions is ±0.15 unless otherwise specified.

UNLESS OTHERWISE SPECIFIED TOLERANCE					
UNIT:	DECIMAL	LINEAR	ANGLES		
mm	X.	±0.50	±5°	www.attend.com.tw	
	X.X	±0.25	±3°		
	X.XX	±0.12	±1°		
DRAWN	Fros	2017/02/23	DRAWN NAME: DDR4 SODIMM CARD SPEC.		
CHECKED	Tim	2017/02/23	PRODUCT NO.		
APPROVED	Ken	2017/02/23	FILE NAME 124-CARD_B_1		
SCALE 1.25/1		SHEET 1/1	SIZE A4		

REV.	DESCRIPTION	DRAWN	DATE
1	INITIAL RELEASE	FROS	2019/06/10



Carton L*W*H= 405*405*320

PACKAGING SPECIFICATION:

1. MATERIAL
 - 1.1 Embossed Carrier Tape: PS Black
 - 1.2 Top Cover Tape: PET
20-80g(Peel Speed 300mm/Minute)
 - 1.3 Taping Reel: Plastic

P/N		REEL	CARTON
124A-80A03		300PCS	900PCS
124A-80A13		300PCS	900PCS
UNLESS OTHERWISE SPECIFIED TOLERANCE			
UNIT:	DECIMAL	LINEAR	ANGLES
mm	X.	±0.50	±5°
	X.X	±0.25	±3°
	X.XX	±0.12	±1°
www.attend.com.tw			
DRAWN	Fros	2019/06/10	DRAWN NAME: DDR4 SODIMM Socket, Horizontal 8.0H, G/F, Reel, Solder Latch
CHECKED	Tim	2019/06/10	
APPROVED	Ken	2019/06/10	PRODUCT NO. SEE TABLE
SCALE	1/1	SHEET	1/1
SIZE	A4	FILE NAME	124A-80AX3_D_1