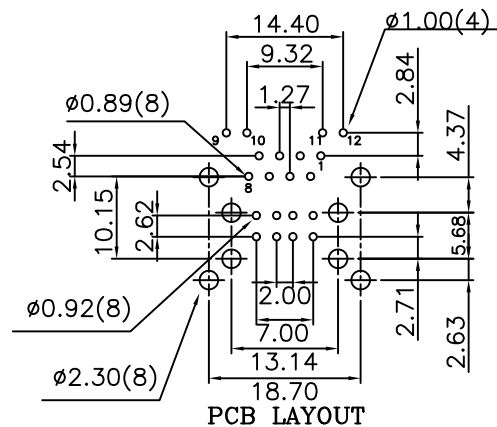
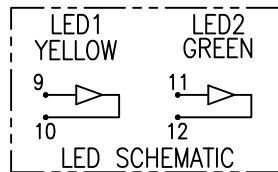
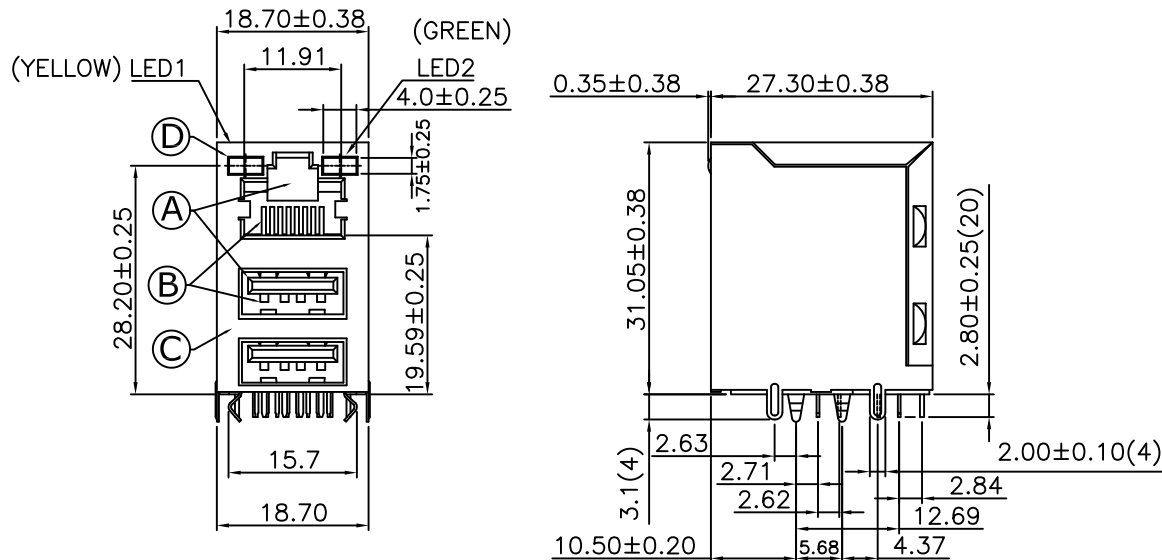


1	2	3	4	5	6	7	8	9	10
SWITCH CIRCUIT			MATERIAL AND FINISH AS BELOW						
WHEN CARD IS EJECTED		WHEN CARD IS INSERTED	A	Housing	PBT UL94V-0 Black	E			
			B	Contact	Phosphor Bronze C5210, 5u' Gold Plating	F			
			C	Shell	Brass C2680, Nickel Plating	G			
			D	Led	Epoxy Resin	H			



## SPECIFICATION:

### 1. ELECTRICAL

- 1.1 Current Rating: 1A per pin
- 1.2 Voltage Rating: 150V AC
- 1.3 Contact Resistance: 50mΩ
- 1.4 Insulation Resistance: 500MΩ
- 1.5 Dielectric Withstanding Voltage:
  - 1KVrms at 60Hz , 1 minute between adjacent contacts.
  - 1.5KVrms at 60Hz , 1 minute between shield and contacts

### 2. MECHANICAL

- 2.1 Durability: 750 Cycle

### 3. ENVIRONMENTAL

- 3.1 Operating temperature range: -40°C~+85°C
- 3.2 Storage temperature range: -40°C~+85°C

### 4. SOLDER ABILITY

- 4.1 Recommended Wave Soldering Temperature: 260°C
- 4.2 Recommended PCB Thickness: 1.2mm

P1	P2	P3	P4	P5	P6	P7	P8	P9	P10	P11	P12
----	----	----	----	----	----	----	----	----	-----	-----	-----

### PIN ASSIGNMENT

205G-CCN0	RJ45 With USBx2, Top Mount DIP Type, Shell: Nickel Plating RJ Contact: 5u' Gold, USB Contact: 5u' Gold
-----------	-----------------------------------------------------------------------------------------------------------

### PRODUCT NO. DESCRIPTION

UNLESS OTHERWISE SPECIFIED TOLERANCE		
ANGLES	ANG.	±5°
LINEAR	0.	±0.3
	0.0	±0.25
	0.00	±0.20



www.attend.com.tw

Revise:											
Revise:											
Revise:											
DRAWN	Willis	2013/06/05	DRAWN NAME: RJ45 With USBx2 Receptacle Top Mount DIP Type		PRODUCT NO.	205G-CCN0					
CHECKED	Angel	2013/06/05			FILE NAME	205G-CCN0_B_4					
APPROVED	Ken	2013/06/05									

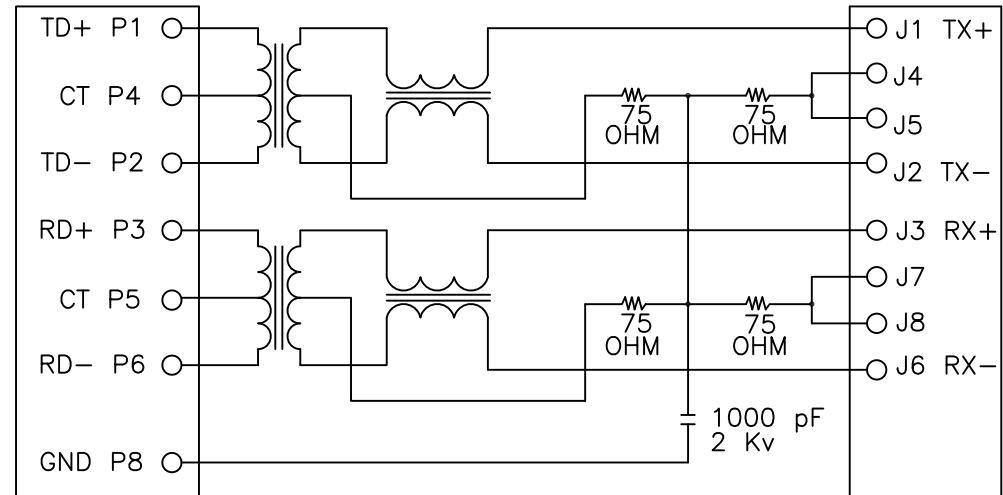
REV.	DESCRIPTION	DATE	REV.	DESCRIPTION	DATE	SIZE	REV.	FILE NAME			
1			4			A4	1.0	205G-CCN0_B_4			

**ELECTRICAL CHARACTERISTICS**

1. TR:(100KHz,0.1V);  
 PINS:(P1-P2):(J1-J2)=1:1±3%  
 PINS:(P3-P6):(J3-J6)=1:1±3%
2. LX:(100KHz,100mV,8mA, DC Blas)  
 PINS: (P1,P2),(P3,P6)=350uH MINIMUM
3. DCR:  
 PINS:(J1-J2),(J3-J6)=1.2 OHMS MINIMUM
4. INSERTION LOSS:  
 -1.0dB MAXIMUM AT 1MHz TO 100MHz
5. RETURN LOSS:  
 -20dB MINIMUM AT 1MHz TO 30MHz  
 -15dB MINIMUM AT 30MHz TO 60MHz  
 -10dB MINIMUM AT 60MHz TO 80MHz
6. CROSS TALK:  
 -30dB MINIMUM AT 1MHz TO 100MHz
7. COMMON TO COMMON MODE REJECTION:  
 -30dB MINIMUM AT 1MHz TO 100MHz

LAN CHIP SIDE

RJ CABLE SIDE



CONNECTOR SCHEMATIC

UNLESS OTHERWISE SPECIFIED TOLERANCE

ANGLES	ANG.	±5°
LINEAR	0.	±0.3
	0.0	±0.25
	0.00	±0.20

SCALE AS SHOWN UNIT: mm

DRAWN Willis 2013/06/05

CHECKED Angel 2013/06/05

APPROVED Ken 2013/06/05



www.attend.com.tw

DRAWN NAME:  
RJ45 With USBx2 Receptacle  
Top Mount DIP Type

PRODUCT NO. 205G-CCN0

FILE NAME 205G-CCN0\_B\_4

REV.	DESCRIPTION	DATE	REV.	DESCRIPTION	DATE
1			4		
2			5		
3			6		

SIZE A4 REV. 1.0

Revise:  
Revise:  
Revise: