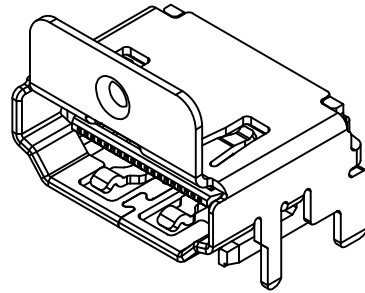
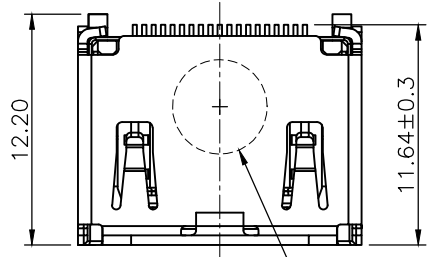
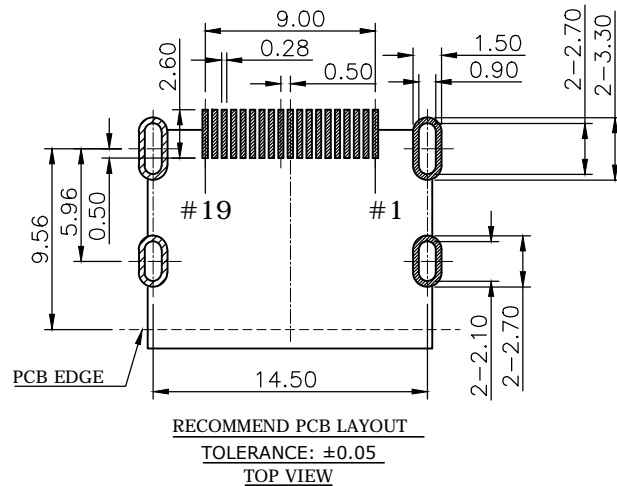
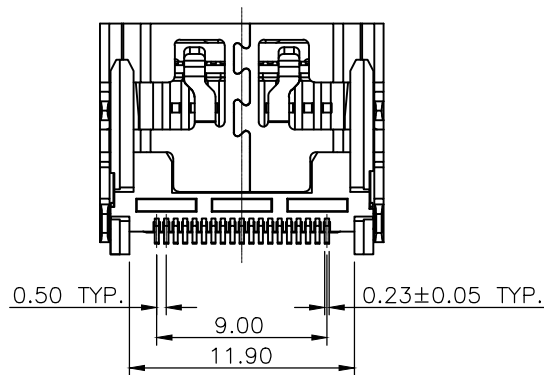
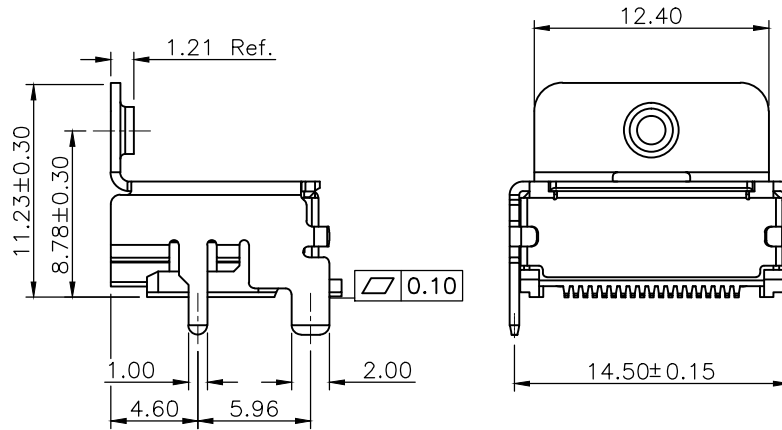
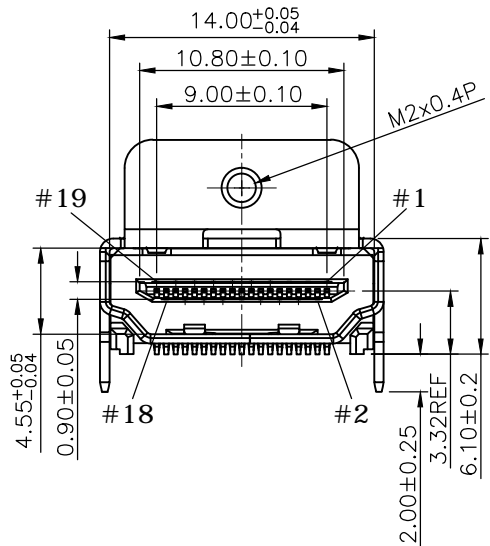


REV.	DESCRIPTION	DRAWN	DATE
1	INITIAL RELEASE	FROS	2019/11/22
1.1	CORRECTED	TIM	2019/12/13



SPECIFICATION:

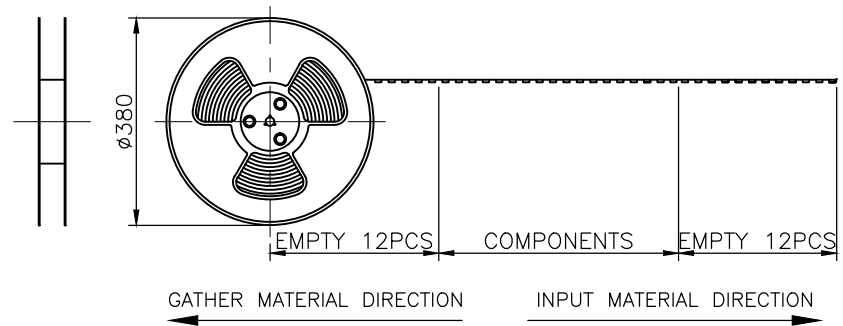
1. ELECTRICAL
 - 1.1 Current Rating: 0.5A Max.
 - 1.2 Voltage Rating: 40V AC/DC
 - 1.3 Contact Resistance: 30mΩ
 - 1.4 Insulation Resistance: 100MΩ
 - 1.5 Dielectric Withstanding Voltage: 500VAC
2. MECHANICAL
 - 2.1 Insertion Force: 4.5kgf
 - 2.2 Extraction Force: 1kgf~4kgf
3. ENVIRONMENTAL
 - 3.1 Operating temperature range: -25°C~+85°C
4. SOLDER ABILITY
 - 4.1 Recommended IR-Reflow Temperature: 260°C



4	EMI SHELL	Steel					
3	SHELL	Copper alloy, nickel plating over all.					
2	CONTACT	Copper alloy, gold flash on contact area, tin plating on solder tails, under plating Nickel over all.					
1	HOUSING	HI.-Temp. plastic, UL94V-0, Black					
NO. PART NAME		DESCRIPTION					
UNLESS OTHERWISE SPECIFIED TOLERANCE							
UNIT:	DECIMAL	LINEAR	ANGLES				
mm	X.	±0.50	±5°				
	X.X	±0.25	±3°				
	X.XX	±0.12	±1°				
www.attend.com.tw							
DRAWN	Fros	2019/11/22	DRAWN NAME:				
CHECKED	Tim	2019/11/22	HDMI R/A Socket, 2.1 A type with Flange (H=8.78), G/F				
APPROVED	Ken	2019/11/22	PRODUCT NO. 206B-SA01				
SCALE	2.5/1	SHEET	1/1	SIZE	A4	FILE NAME	206B-SA01_B_1.1



REV.	DESCRIPTION	DRAWN	DATE
1	INITIAL RELEASE	FROS	2019/11/22

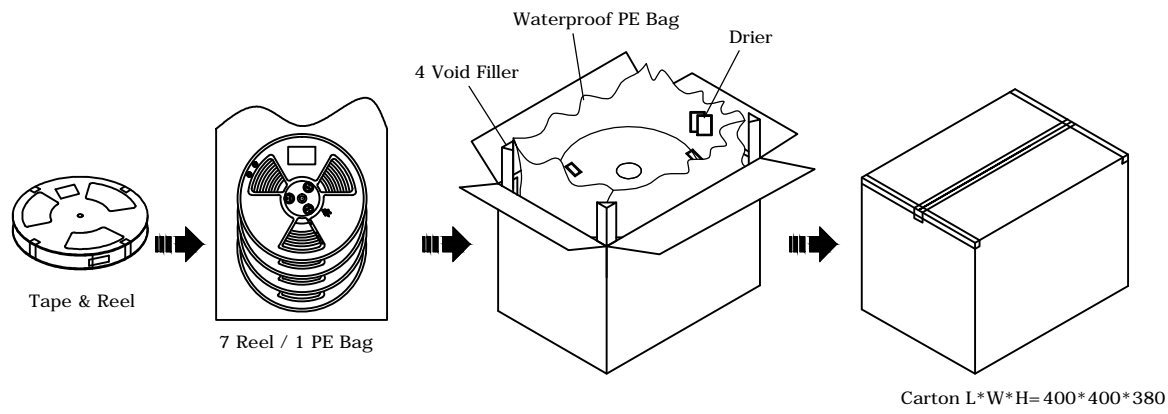
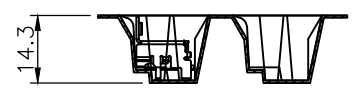
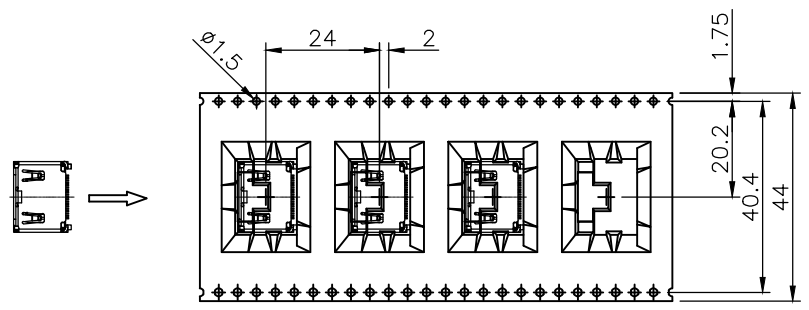



PACKAGING SPECIFICATION:

- 1. MATERIAL
- 1.1 Embossed Carrier Tape: PS Black
- 1.2 Top Cover Tape: PET
20-80g(Peel Speed 300mm/Minute)
- 1.3 Taping Reel: Plastic

- 2. PACKING
- 2.1 Quantity:

 - 250 Piece/Reel
 - 7 Reel/ Carton
 - 1750 Piece/ Carton



UNLESS OTHERWISE SPECIFIED TOLERANCE				 www.attend.com.tw
UNIT:	DECIMAL	LINEAR	ANGLES	
mm	X.	±0.50	±5°	
	X.X	±0.25	±3°	
	X.XX	±0.12	±1°	
DRAWN	Fros	2019/11/22	DRAWN NAME:	
CHECKED	Tim	2019/11/22	HDMI R/A Socket, 2.1 A type with Flange (H=8.78), G/F	
APPROVED	Ken	2019/11/22	PRODUCT NO. 206B-SA01	
SCALE	N/A	SHEET 1/1	SIZE A4	FILE NAME 206B-SA01_D_1

Carton L*W*H= 400*400*380