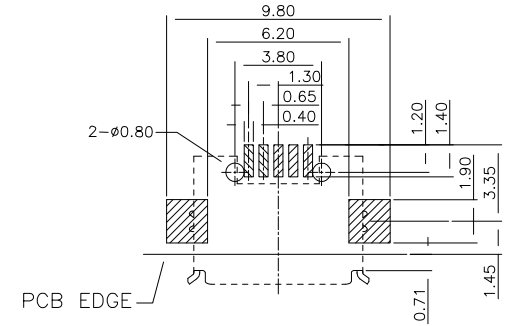
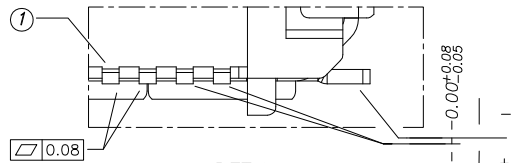
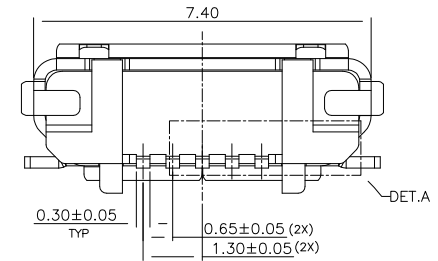
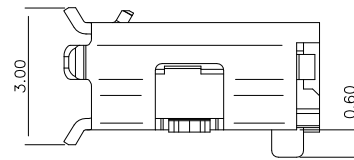
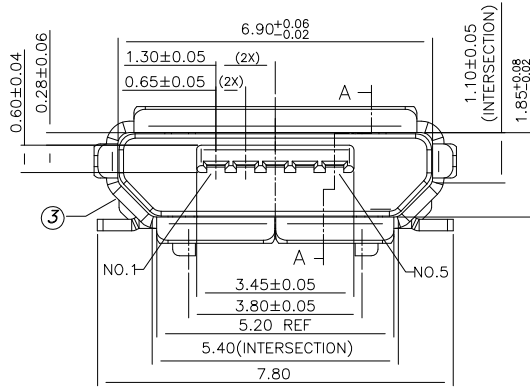


SEC. A-A



PCB LAYOUT(SCALE 4:1)
TOLERANCE:±0.05



DET.A
SCALE 10:1

△ PRODUCT NUMBER:

207A-B B A 0-R
1 2 3 4

1.Type
B:B Type

2.Contact Plating
B:30u" Gold Plating

3.Peg
A:With Peg

4.RoHS

ITEM	DESC.	MATERIAL	REMARKS	PART REMARKS
3	SHELL	STAINLESS STEEL, T=0.25	40u" Min. NICKEL OVER PLATED	
2	HOUSING	HIGH TEMPERATURE THERMAL PLASTIC	COLOR:BLACK	
1	CONTACT	COPPER ALLOY,T=0.20	CONTACT AREA:Au 30u" Min, SOLDER AREA:Au 3u" Min.	

REV.	DESCRIPTION	DATE	REV.	DESCRIPTION	DATE
3	Revise:				
2	Revise:				
1	Revise: Product Number: Contact Area(Gold 30u ") and Peg Area	2009/08/11			

UNLESS OTHERWISE SPECIFIED TOLERANCE		
ANGLES	ANG.	±5°
LINEAR	0.	±0.3
	0.0	±0.25
	0.00	±0.20
SCALE	AS SHOWN	UNIT: mm
DRAWN	Willis	2012/08/03
CHECKED	Angel	2012/08/03
APPROVED	Ken	2012/08/03
SIZE	A4	REV. 1.0



www.attend.com.tw	
DRAWN NAME: Micro USB B Receptacle SMD Type	
PRODUCT NO.	207A-BBA0-R
FILE NAME	207A-BBA0-R_B_2