

REV.	DESCRIPTION	DRAWN	DATE
1	INITIAL RELEASE	Willis	2013/07/26
2	ECR1900002	FROS	2019/01/25
3	SUS301->SUS304, ADD PIN ASSIGNMENT	FROS	2020/03/26

SPECIFICATION:

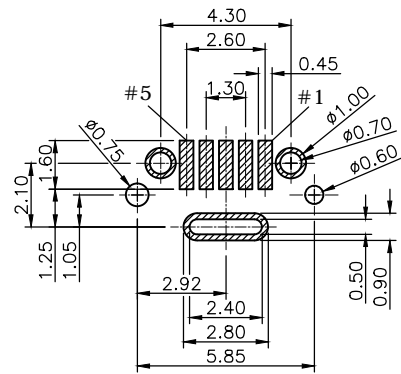
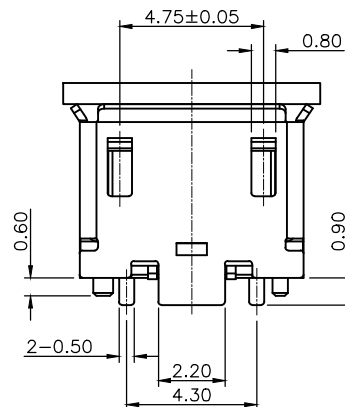
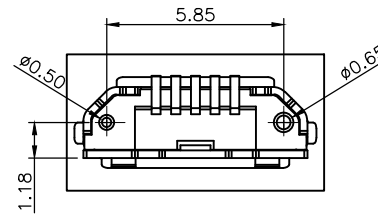
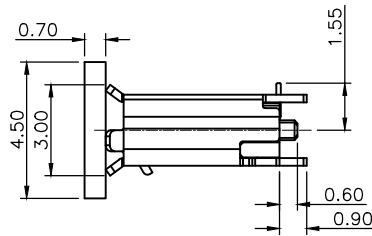
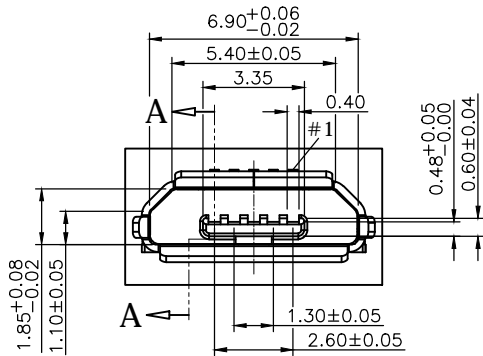
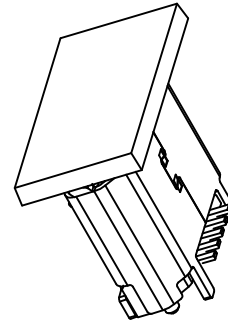
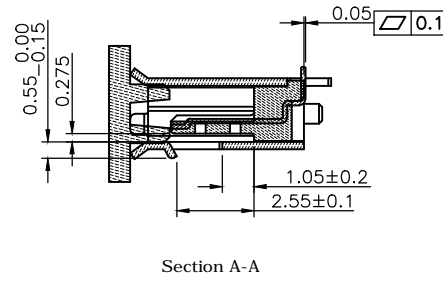
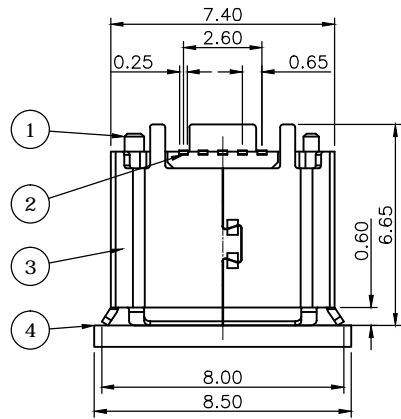
1. ELECTRICAL
 - 1.1 Current Rating: 0.5A per pin
 - 1.2 Voltage Rating: 40V AC
 - 1.3 Contact Resistance: 30mΩ Max
 - 1.4 Insulation Resistance: 1000MΩ Min
 - 1.5 Dielectric Withstanding Voltage: 100VAC
2. MECHANICAL
 - 2.1 Durability: 10000 Cycle
 - 2.2 Insertion Force: 35N max.
 - 2.3 Extraction Force: 8N max.
3. ENVIRONMENTAL
 - 3.1 Operating temperature range: -30°C~+60°C
 - 3.2 Storage temperature range: -40°C~+85°C
4. SOLDER ABILITY
 - 4.1 Recommended IR Reflow Temperature: 260°C 10Sec
 - 4.2 Recommended PCB Thickness: 1.0mm

Pin assignments

no.	signal name
1	VBUS
2	D-
3	D+
4	ID
5	GND
Shell	Shield

4	CAP	LCP UL94V-0, Black
3	SHELL	Stainless Steel, SUS304, Nickel plated
2	CONTACT	Phosphor Bronze C5210, Contact Area: Gold Flash under nickel plating over all
1	HOUSING	LCP UL94V-0, Black

NO.		PART NAME	DESCRIPTION	
UNLESS OTHERWISE SPECIFIED TOLERANCE				
UNIT:	DECIMAL	LINEAR	ANGLES	
	mm	X. ±0.50	±5°	
		X.X ±0.25	±3°	
		X.XX ±0.12	±1°	
DRAWN	Willis	2013/07/26	DRAWN NAME: Micro USB B Receptacle Vertical Type	
CHECKED	Angel	2013/07/26		
APPROVED	Ken	2013/07/26	PRODUCT NO. 207F-BA00	
SCALE	4/1	SHEET 1/1	SIZE A4	FILE NAME 207F-BA00_B_3



Recommended layout (top view)
General tolerance: ±0.05mm