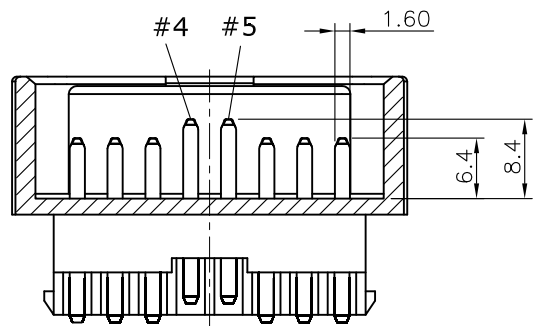
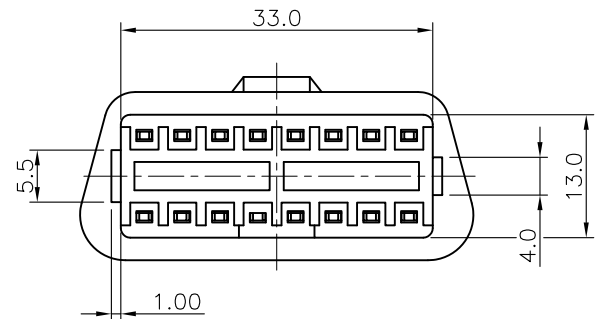
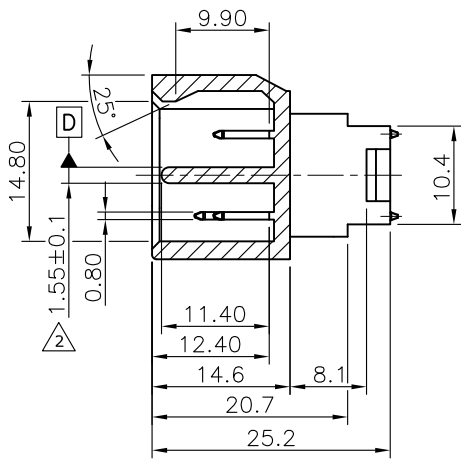
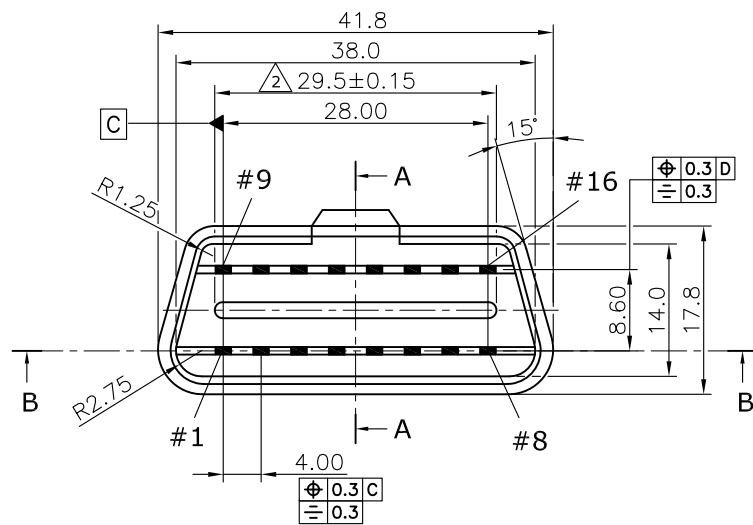
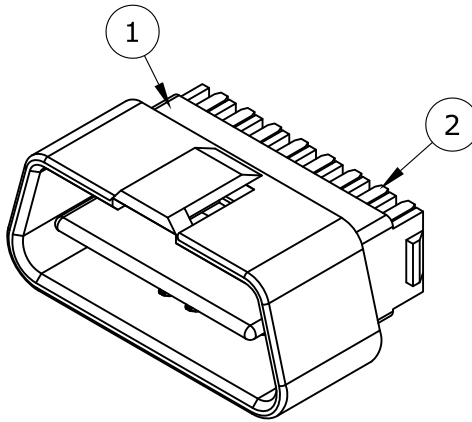
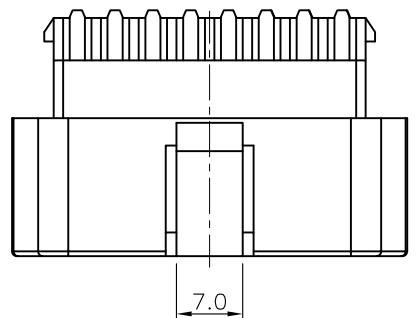


REV.	DESCRIPTION	DRAWN	DATE
1	INITIAL RELEASE	TIM	2019/03/15
2	ECR2100016	Fros	2021/07/29

SPECIFICATION:

1. ELECTRICAL
 - 1.1 Current Rating: 6A Max
 - 1.2 Voltage Rating: 30V DC
 - 1.3 Contact Resistance: 100mΩ Max
 - 1.4 Insulation Resistance: 100MΩ Min
 - 1.5 Dielectric Withstanding Voltage: 1000VAC
2. MECHANICAL
 - 2.1 Durability: 200 Cycle
 - 2.2 Insertion Force: 142N max.
 - 2.3 Extraction Force: 88N max.
3. ENVIRONMENTAL
 - 3.1 Operating temperature range: -40°C~+85°C



SECTION B-B

SECTION A-A

2	CONTACT	Brass, Gold plating on contact area Tin plating on solder tail, under plated Nickel		
1	HOUSING	PA66, UL94V-0, Black		
NO	PART NAME	DESCRIPTION		
UNLESS OTHERWISE SPECIFIED TOLERANCE				
UNIT:	DECIMAL	LINEAR	ANGLES	
mm	X.	±0.50	±5°	
	X.X	±0.25	±3°	
	X.XX	±0.12	±1°	
DRAWN	Tim	2019/03/15	DRAWN NAME: OBD2 Type A Male Connector, 16Pin, 12V, Solder Pin, Overmold	
CHECKED	Fros	2019/03/15		
APPROVED	Ken	2019/03/15		PRODUCT NO. 226A-1201
	SCALE 1.25	SHEET 1/1	SIZE A4	FILE NAME 226A-1201_B_2



www.attend.com.tw