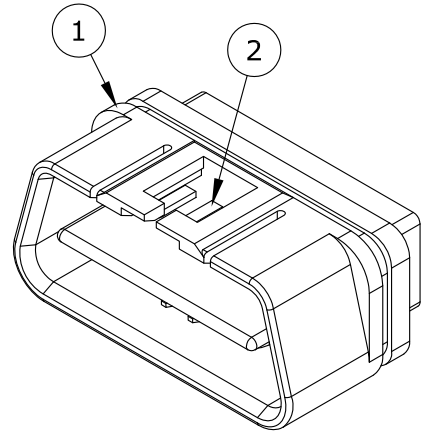
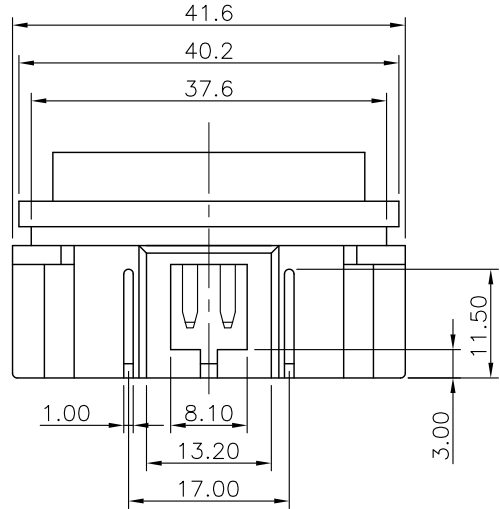


REV.	DESCRIPTION	DRAWN	DATE
1	INITIAL RELEASE	TIM	2019/03/15
2	corrected	Fros	2024/05/15



**SPECIFICATION:**

**1. ELECTRICAL**

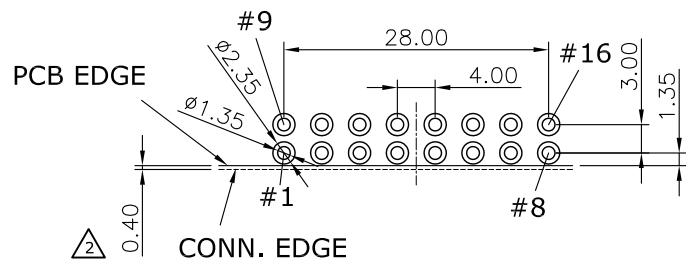
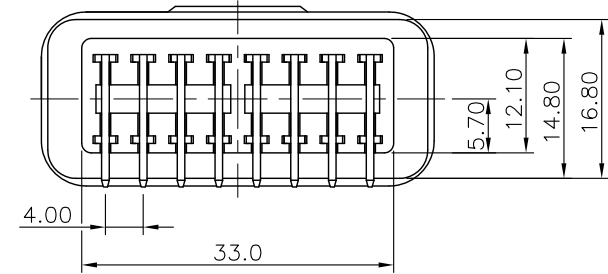
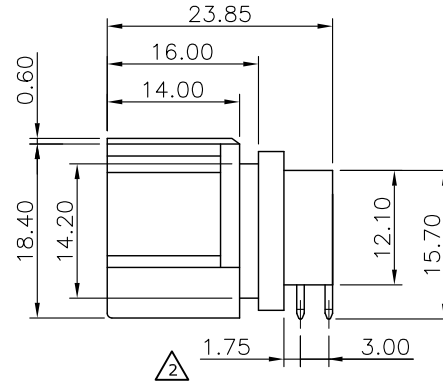
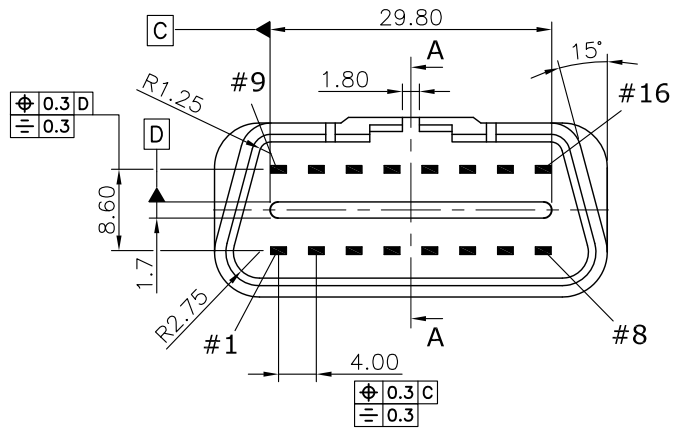
- 1.1 Current Rating: 6A Max
- 1.2 Voltage Rating: 30V DC
- 1.3 Contact Resistance: 100mΩ Max
- 1.4 Insulation Resistance: 100MΩ Min
- 1.5 Dielectric Withstanding Voltage: 1000VAC

**2. MECHANICAL**

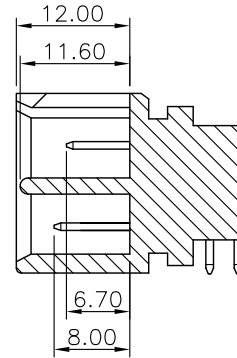
- 2.1 Durability: 200 Cycle
- 2.2 Insertion Force: 142N max.
- 2.3 Extraction Force: 88N max.

**3. ENVIRONMENTAL**

- 3.1 Operating temperature range: -40°C~+85°C



**RECOMMENDED LAYOUT ( TOP VIEW )**  
**GENERAL TOLERANCE: ±0.05mm**



**SECTION A-A**

2	CONTACT	BRASS, BRIGHT TIN PLATED UNDER NICKEL	
1	HOUSING	Nylon 66, UL94V-0, Black	
NO	PART NAME	DESCRIPTION	
UNLESS OTHERWISE SPECIFIED TOLERANCE			
UNIT:	DECIMAL	LINEAR	ANGLES
mm	X.	±0.50	±5°
	X.X	±0.25	±3°
	X.XX	±0.12	±1°
www.attend.com.tw			
DRAWN	Tim	2019/03/15	DRAWN NAME:
CHECKED	Fros	2019/03/15	OBD2 Type A Male Connector, 16Pin, 12V, R/A, DIP
APPROVED	Ken	2019/03/15	PRODUCT NO. 226A-1202
SCALE	SHEET	SIZE	FILE NAME
1.25	1/1	A4	226A-1202_B_2