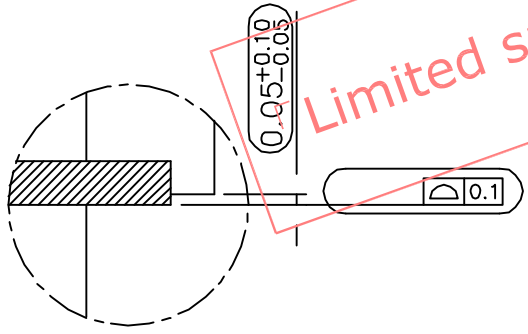
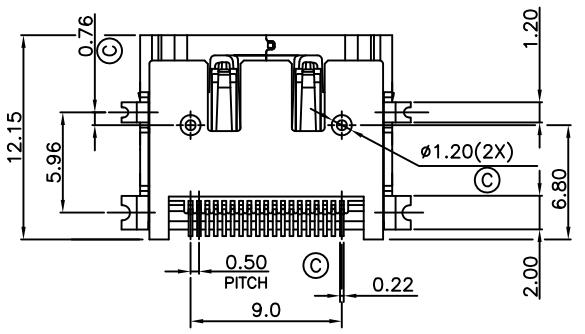
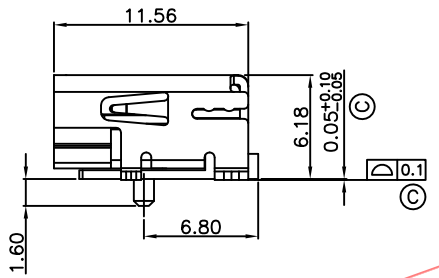
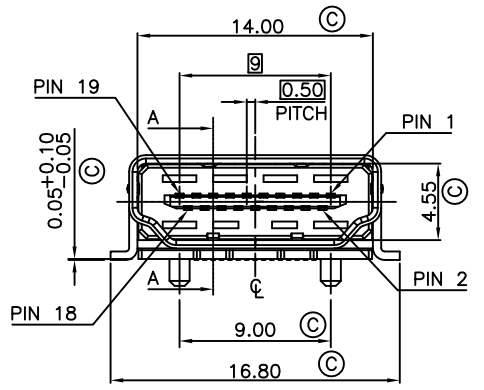


RECOMMENDED PCB LAYOUT (THICKNESS=1.6±0.15mm)

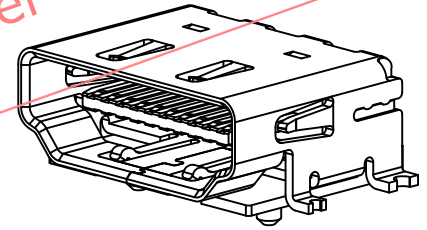


SECTION A-A

- Material and Finish:
1. Insulator Material: L.C.P.+30% Glass Filled, UL94V-0, Color: Black
 2. Contact Material: Brass(C2680-EH), t=0.2mm
 3. Shell Material: SPCC
 4. Contact Area Plated: 15u" Gold For One Side Plated Over 50u" Nickel
 5. Solder Area Plated: 100u" Tin Plated
 6. Shell Plated: 50u" Nickel Plated
 7. Current Rating: 0.5 Amp Min.
 8. Insulation Resistance: Unmated: 100 MΩ Min. Mated: 10 MΩ Min.
 9. Contact Resistance: 10 mΩ Max.
 10. Dielectric Withstanding Voltage: 300V AC
 11. Operation Temperature: -20°C to +85°C
 12. Control Dimensions Indicated From ©

PRODUCT NUMBER:
206A-S A B N
1 2 3 4

1. Solder Tail Type
S: SMT Type
2. Contact Plating
A: 15u" Gold Plating
3. Metal Shell Type
B: SMT Metal shell
4. Shell Plating
N: Nickel plated



Limited supply by further check with us.

UNLESS OTHERWISE SPECIFIED TOLERANCE				DRAWN NAME:	
ANGLES	ANG.	±5°	www.attend.com.tw		
LINEAR	0.	±0.3	DRAWN NAME:		
	0.0	±0.25	HDMI Connector		
	0.00	±0.20	With Peg, Solder Tail: SMD Type, Shell: SMD Type		
SCALE	AS SHOWN	UNIT: mm	PRODUCT NO.	206A-SABN	
DRAWN	Willis	2014/03/19	FILE NAME	206A-SABN_B_2	
CHECKED	Angel	2014/03/19			
APPROVED	Ken	2014/03/19			
REV.	DESCRIPTION	DATE	SIZE	A4	REV. 1.0
1					
2					
3					
4					
5					
6					
7					
8					
9					
10					

