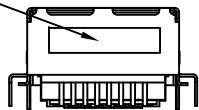


SWITCH CIRCUIT

MATERIAL AND FINISH AS BELOW

A	Housing	LCP UL94V-0 Black	E	
B	Contact	Phosphor Bronze C5191,Contact Area:Gold Plating	F	
C	Shell	Brass C2680,Nickel Plating	G	
D	Coil Box	Phenolic UL94V-0 Black	H	

DATE CODE YYWWXX
 Year
 Week
 For coil factory
 A:DongGuan Nuconn Industry CORP.
 J:JiangXi Nuconn Industry CORP.
 S:Vetak Electronic CORP.
 For final production factory
 A:DongGuan Nuconn Industry CORP.



PRODUCT NUMBER:
212A-11 C D 0-RA8
1 2 3

SPECIFICATION:

1. ELECTRICAL

- 1.1 Current Rating: 750mA per pin
- 1.2 Voltage Rating: 57V DC per pin
- 1.3 Contact Resistance: 30mΩ
- 1.4 Insulation Resistance: 1000MΩ
- 1.5 Dielectric Withstanding Voltage: 1500VAC/2250VDC

1.No. of Contact
11:1X1 Port

2.Contact Plating
C: 5u" Gold Plating

3.EMI Tab
D:Middle Mount without EMI Tab

2. MECHANICAL

- 2.1 Durability: 1000 Cycle
- 2.2 Insertion Force: 22N max.
- 2.3 Extraction Force: 22N min.

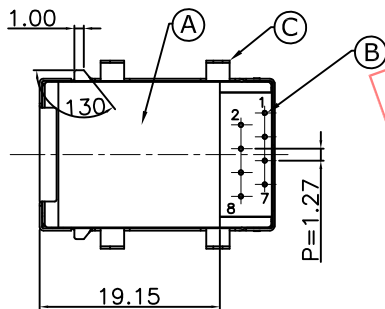
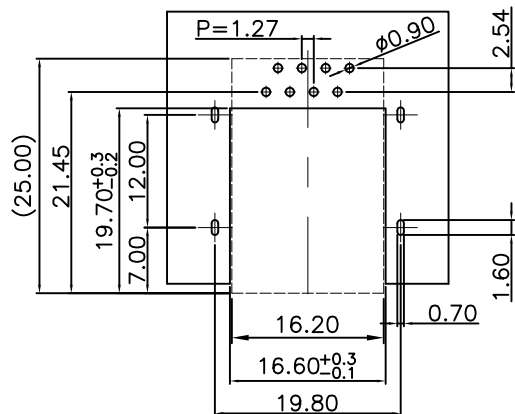
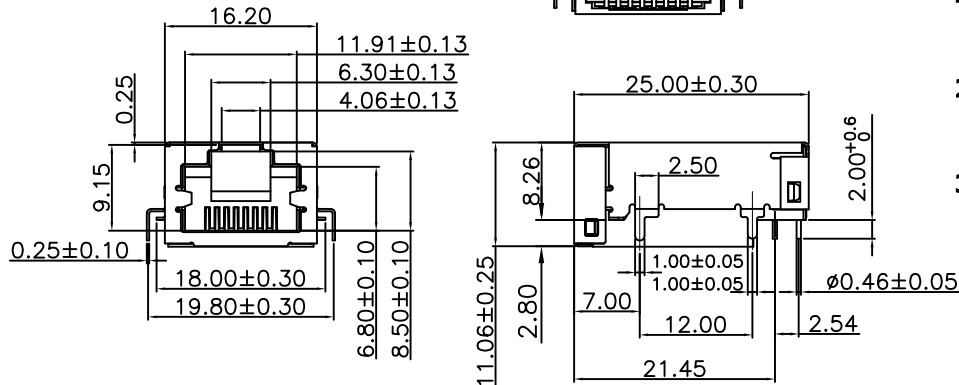
3. ENVIRONMENTAL

- 3.1 Operating temperature range: 0°C~+85°C
- 3.2 Storage temperature range: -40°C~+85°C

4. SOLDER ABILITY

- 4.1 Recommended Wave Soldering Temperature: 260°C
- 4.2 Recommended PCB Thickness: 1.5mm

「 Limited supply by further check with us. 」



P1	P2	P3	P4	P5	P6	P7	P8	P9	P10	P11	P12
----	----	----	----	----	----	----	----	----	-----	-----	-----

PIN ASSIGNMENT

212A-11CD0-RA8 Middle Mount 2.8mm Magnetic Type, Contact Area:5u" Gold

PRODUCT NO. DESCRIPTION

UNLESS OTHERWISE SPECIFIED TOLERANCE		
ANGLES	ANG.	±5°
LINEAR	0.	±0.3
	0.0	±0.25
	0.00	±0.20



www.attend.com.tw

DRAWN	Willis	2012/09/27
CHECKED	Angel	2012/09/27
APPROVED	Ken	2012/09/27

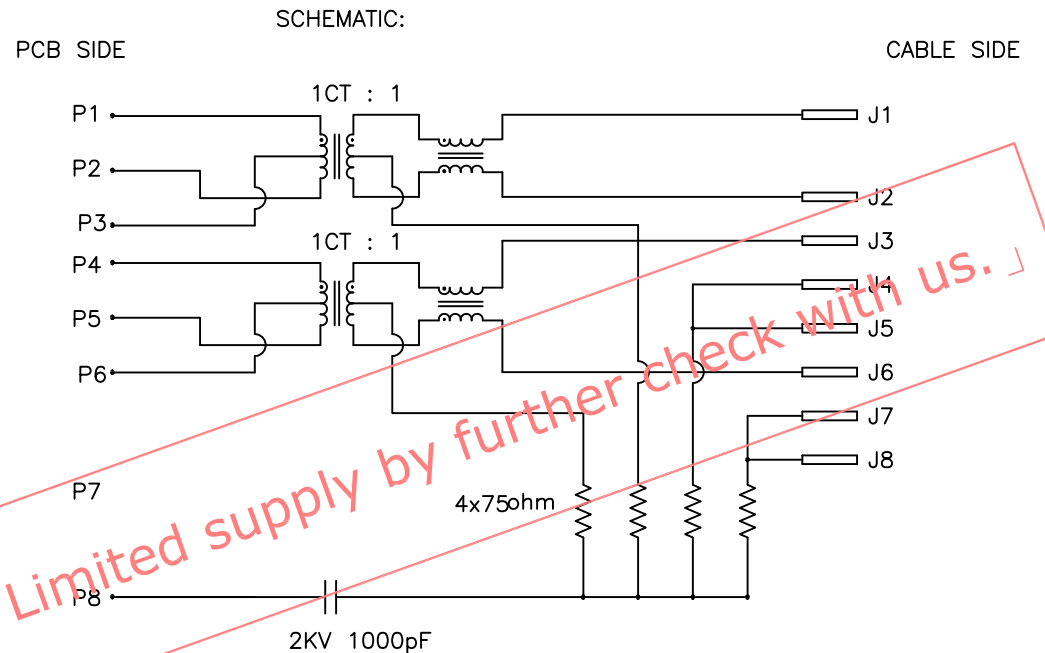
DRAWN NAME:
 RJ45 Jack Middle Mount Magnetic Type
 10/100 Base-T

PRODUCT NO. 212A-11CD0-RA8

REV.	DESCRIPTION	DATE
3	Revise:	
2	Revise:	
1	Revise:	

DATE	SIZE A4	REV. 1.0	FILE NAME	212A-11CD0-RA8_B_1
------	---------	----------	-----------	--------------------

1. Turns Ratio: (P1-P2):(J1-J2):1CT:1CT $\pm 5\%$
(P4-P5):(J3-J6):1CT:1CT $\pm 5\%$
2. Inductance: (P1-P2):350uH min. @0.1V,100kHz,8mA DC Bias
(P4-P5):350uH min. @0.1V,100kHz,8mA DC Bias
3. leakage Inductance:
P1-P2(Short J1-J2):0.3uH MAX@1MHz
P4-P5(Short J3-J6):0.3uH MAX@1MHz
4. Interwinding Capacitance:
(P1,P2,P3) To (J1,J2):35pf MAX.@1MHz
(P4,P5,P6) To (J3,J6):35pf MAX.@1MHz
5. DC Resistance: (J1-J2) and (J3-J6):1.2 ohm Max
6. Return Loss: (P1-P2) and (P4-P5)@Load 100Ohm
1~30MHz:-18dB MIN
30~60MHz:-16dB MIN
60~80MHz:-12dB MIN
7. Hi-pot : (J1,J2)To (P1,P2,P3)1500VAC or 2250VDC 60sec@60Hz
(J3,J6) To (P4,P5,P6): 1500VAC or 2250VDC 60sec@60Hz
8. Insertion Loss:1~100 MHz:-1.0 dB MAX
9. Cross Talk:1~100 MHz:-30dB MIN
10. Common to Common Mode Rejection: 1~100MHz:-35dB MIN



「 Limited supply by further check with us. 」

REV.	DESCRIPTION	DATE	REV.	DESCRIPTION	DATE

UNLESS OTHERWISE SPECIFIED TOLERANCE			ATTEND www.attend.com.tw
ANGLES	ANG.	$\pm 5^\circ$	
LINEAR	0.	± 0.3	
	0.00	± 0.25	
SCALE	AS SHOWN	UNIT: mm	± 0.20
DRAWN	Willis	2012/09/27	DRAWN NAME:
CHECKED	Angel	2012/09/27	RJ45 Jack Middle Mount Magnetic Type 10/100 Base-T
APPROVED	Ken	2012/09/27	PRODUCT NO. 212A-11CD0-RA8
			FILE NAME 212A-11CD0-RA8_B_1

PACKAGING SPECIFICATION:

1. MATERIAL

1.1 Tray: PET

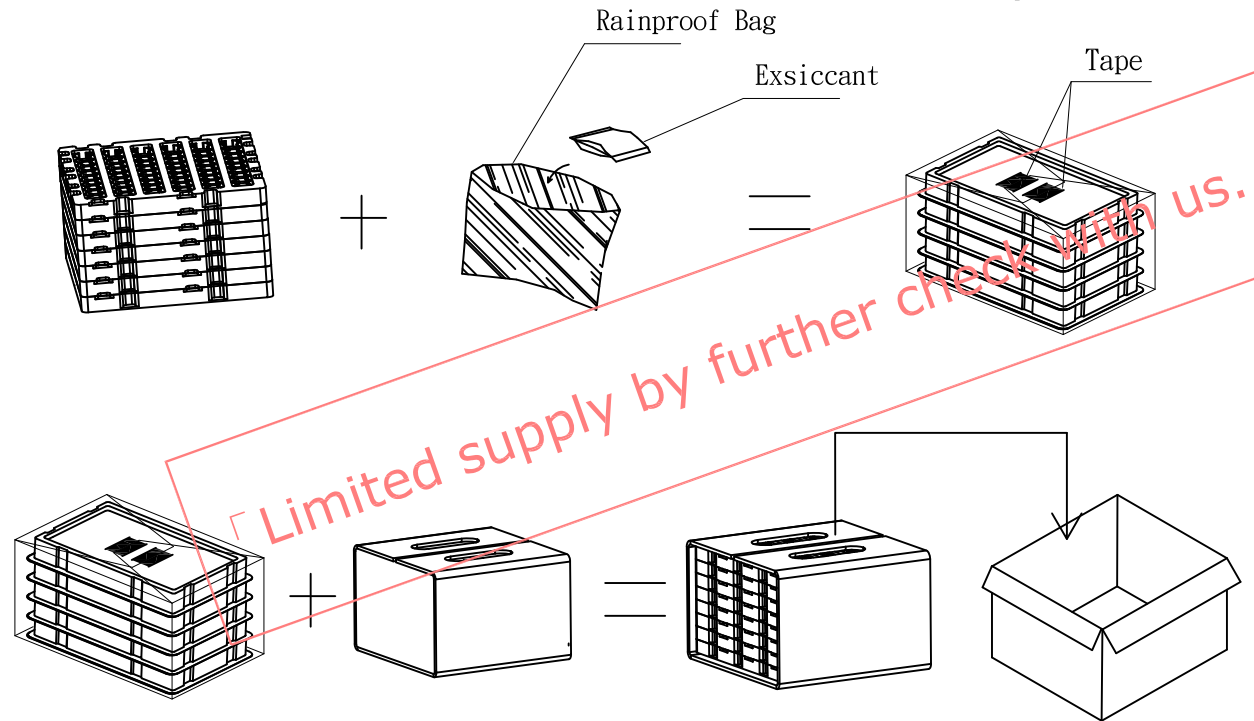
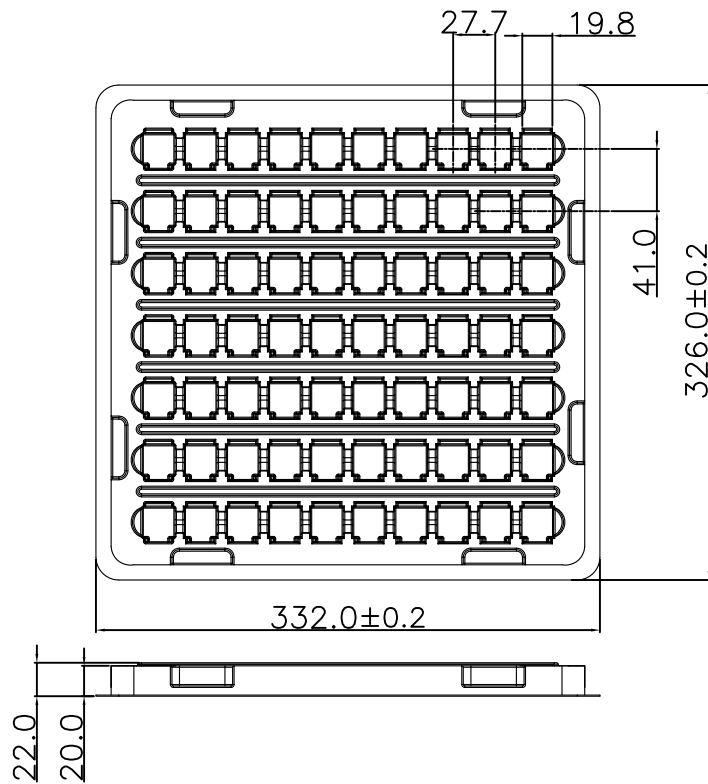
2. PACKING

2.1 Quantity:

70Piece/Tray

12Tray/Carton

840Piece/Carton



「 Limited supply by further check with US. 」

UNLESS OTHERWISE SPECIFIED TOLERANCE		
ANGLES	ANG.	±5°
	0.	±0.3
LINEAR	0.0	±0.25
	0.00	±0.20
SCALE	AS SHOWN	UNIT: mm
DRAWN	Willis	2012/09/27
CHECKED	Angel	2012/09/27
APPROVED	Ken	2012/09/27



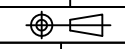
www.attend.com.tw

DRAWN NAME:
RJ45 Jack Middle Mount Magnetic Type
10/100 Base-T

PRODUCT NO. 212A-11CD0-RA8

FILE NAME 212A-11CD0-RA8_D_1

REV.	DESCRIPTION	DATE	REV.	DESCRIPTION	DATE
1			1		
2			2		
3			3		
4			4		
5			5		
6			6		
7			7		



SIZE A4 REV. 1.0