

SWITCH CIRCUIT

MATERIAL AND FINISH AS BELOW

A	Housing	PBT UL94V-0 Black	E
B	Contact	Phosphor Bronze C5191, Contact Area: 5u" Gold	F
C	Shell	Brass C2680, Nickel Plating	G
D			H

SPECIFICATION:

1. ELECTRICAL

- 1.1 Current Rating: 1.5A per pin
- 1.2 Voltage Rating: 125V DC per pin
- 1.3 Contact Resistance: 50mΩ
- 1.4 Insulation Resistance: 1000MΩ
- 1.5 Dielectric Withstanding Voltage: 1000VAC

2. MECHANICAL

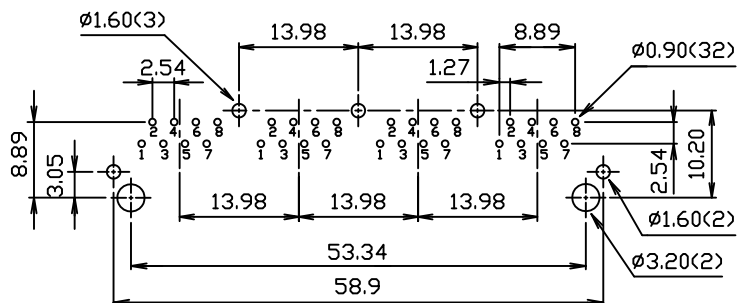
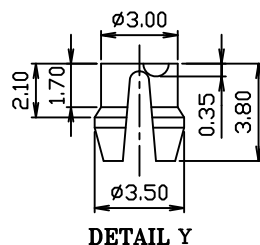
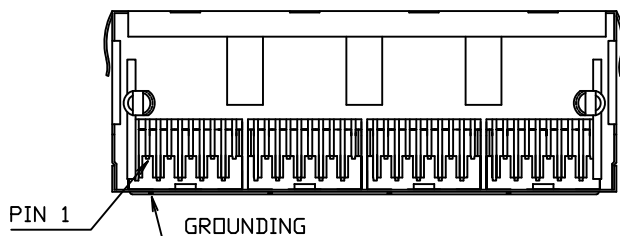
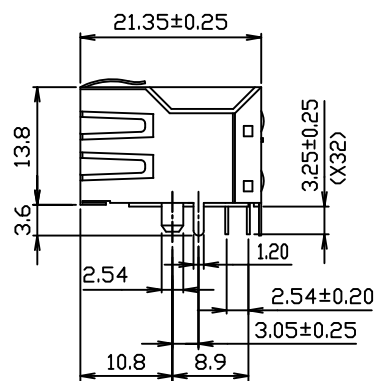
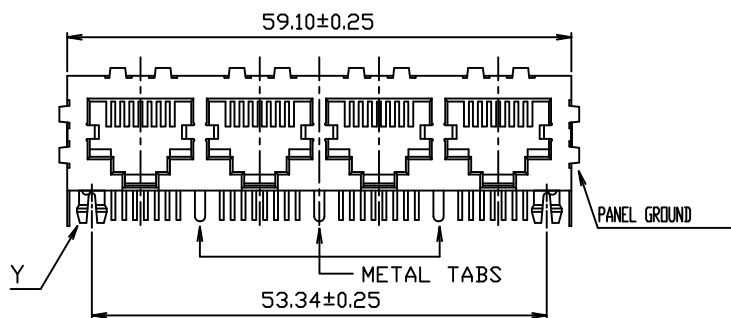
- 2.1 Durability: 750 Cycle

3. ENVIRONMENTAL

- 3.1 Operating temperature range: -40°C ~ +85°C
- 3.2 Storage temperature range: -40°C ~ +85°C

4. SOLDER ABILITY

- 4.1 Recommended Wave Soldering Temperature: 260°C
- 4.2 Recommended PCB Thickness: 1.6mm



PCB LAYOUT

P1	P2	P3	P4	P5	P6	P7	P8	P9	P10	P11	P12
----	----	----	----	----	----	----	----	----	-----	-----	-----

PIN ASSIGNMENT

212A-14CA0-RA11	RJ45 1X4 Jack Magnetic Type, Contact Area: 5u" Gold
PRODUCT NO.	DESCRIPTION

UNLESS OTHERWISE SPECIFIED TOLERANCE		
ANGLES	ANG.	±5°
LINEAR	0.	±0.3
	0.0	±0.25
	0.00	±0.20
SCALE	AS SHOWN	UNIT: mm
DRAWN	Willis	2013/04/15
CHECKED	Angel	2013/04/15
APPROVED	Ken	2013/04/15



www.attend.com.tw

DRAWN NAME:
RJ45 1X4 Jack Magnetic Type

PRODUCT NO. 212A-14CA0-RA11

FILE NAME 212A-14CA0-RA11_B_1

- △ Revise:
- △ Revise:
- △ Revise:

REV.	DESCRIPTION	DATE	REV.	DESCRIPTION	DATE	SIZE A4	REV. 1.0
1			4				
2			5				
3			6				
4			7				
5			8				
6			9				
7			10				

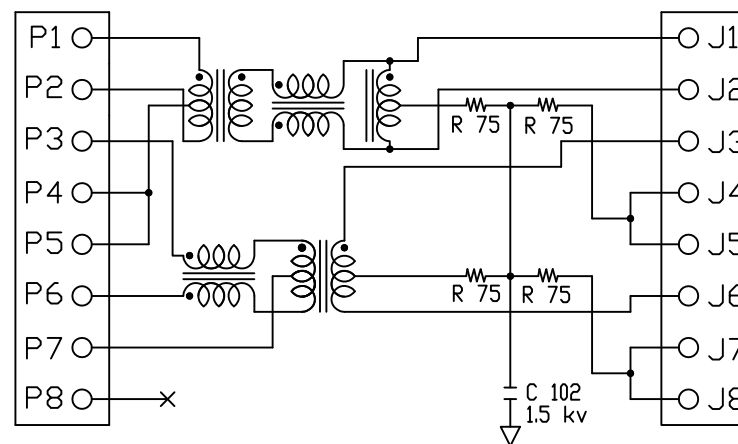
Specification :

Item	Parameter	Condition	Min.	Typ.	Max.	Unit	REMARK
1	Insertion loss	1-100 MHz			-1	dB	
2	Return loss	1-30 MHz	-16			dB	NOTE 1
		30-60 MHz				dB	
		60-80 MHz	-10			dB	
3	□CL	100 KHz	350			μH	
4	Crosstalk	1-100 MHz	-35			dB	
5	Hipot	Vrms	1.5			kV	
6	Turns Ratio (Chip : Cable)	TX: 1 : 1 RX: 1 : 1				CT	
7	Direct Current resistance					Ω	

*NOTE 1: Greater than $(16-20 \text{ Log } (f/30\text{MHz}))$ dB.

CONNECTOR SOLDER SIDE

RJ45
CONTACT SIDE



CONNECTOR SCHEMATIC

				UNLESS OTHERWISE SPECIFIED TOLERANCE				
				ANGLES	ANG.	±5°	 www.attend.com.tw	
				LINEAR	0.	±0.3		
					0.00	±0.20		
				SCALE	AS SHOWN	UNIT: mm		
				DRAWN	Willis	2013/04/15	DRAWN NAME:	
				CHECKED	Angel	2013/04/15	RJ45 1X4 Jack Magnetic Type	
				APPROVED	Ken	2013/04/15	PRODUCT NO.	212A-14CA0-RA11
REV.	DESCRIPTION	DATE	REV.	DESCRIPTION	DATE	SIZE	REV.	FILE NAME
1						A4	1.0	212A-14CA0-RA11_B_1