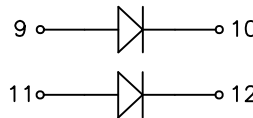


PCB Layout T=1.60mm
Component Side Shown



- PRODUCT NUMBER:
213A-11 C A A-R
1 2 3 4
- No. of Contact
11:1X1
 - Contact Plating
C:5u" Gold Plating
 - EMI Tab
A:with EMI Tab
 - LED
A:Y(LED2)+G(LED1)

Notes:
Characteristics Description:

- RJ45 10/100 Base-Tx Transformer Jack With Transformer Impedance Resistor/High Voltage Capacitor.
- Size Same As RJ-45 Modular Jack To Save PCB Space.
- Reduce EMI Radiation, Improve EMI Performance.
- Designed For Network Interface Card Application.
- Designed To Meet IEEE 802.3u Requirement.
- Designed For 100 Base Transmission over UTP-5 Cable.
- Operation Temperature Range: -20°C To 70°C

Electrical Specifications:

- Inductance At 100 KHz, 100 mV 8mADC Bias: 350 uH Min.
- Leakage Inductance: 0.3 uH Max. @100KHz 100mV
- C W/W 30pF Max. @1MHz
- Insertion Loss: 1.1 dB Max. @ 1-100 MHz
- Return Loss: 18dB Min. @ 1-30MHz
12dB Min. @ 60-80MHz
- Cross Talk: 35dB Min. @ 1-80MHz
- Common Mode Rejection: 35dB Typ. @30-100MHz
- Rise Time, RS=100 Ohms And RL=100 Ohms
Output Voltage=1V Peak 3.0nS Max.
Output Voltage=1V Peak 3.0nS Max.
- Isolation @60Hz: 1500Vrms (Input To Output) 60 Seconds
- DCR J(6-3)=J(2-1)=1.2 Ohms Max.

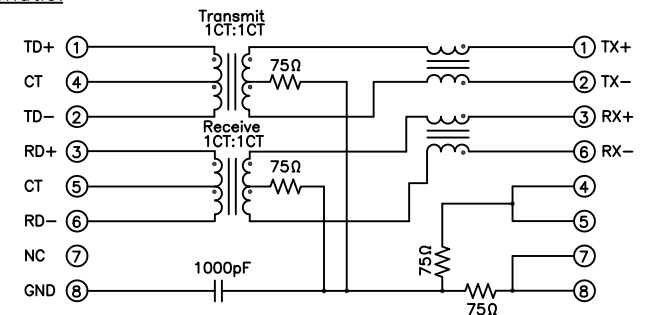
Mechanical:

- Housing Material :High Temperature UL94V-0
- Insert Material :High Temperature UL94V-0
- Contact Mateial :Phosphor Bronze t=0.35mm.
- Plating :Contact Area- Gold Plating.
Tails- 150u" Tin Min. Over 50u" Nickel.
- Shield Material :Brass C2680 50u" Nickel Plating t=0.25mm.
- Operating Life :750 Cycles Min.
- PCB Retention Pre-Solder :1 Lb Min.
- PCB Retention Post-Solder :10 Lbs Min.

Environmental:

- Storage :-40°C To+85°C.
 - Operation :-20°C To+70°C.
 - Wave Soldering Temperature: 255~265°C (5~10 Seconds)
- Mates With Modular Plug Conforming To FCC Part 68, Subpart F.

Schematic:



UNLESS OTHERWISE SPECIFIED TOLERANCE

ANGLES	ANG.	±5°
LINEAR	0.	±0.3
	0.0	±0.25
	0.00	±0.20

SCALE AS SHOWN UNIT: mm

DRAWN Willis 2012/08/03

CHECKED Angel 2012/08/03

APPROVED Ken 2012/08/03

SIZE A4 REV. 1.0



www.attend.com.tw

DRAWN NAME: RJ45 Jack Magnetic Type With LED

PRODUCT NO. 213A-11CAA-R

FILE NAME 213A-11CAA-R_B_1

Revise:

Revise:

Revise: 21.5 Max

REV.	DESCRIPTION	DATE	REV.	DESCRIPTION	DATE	SIZE	REV.	FILE NAME
1			4			A4	1.0	213A-11CAA-R_B_1