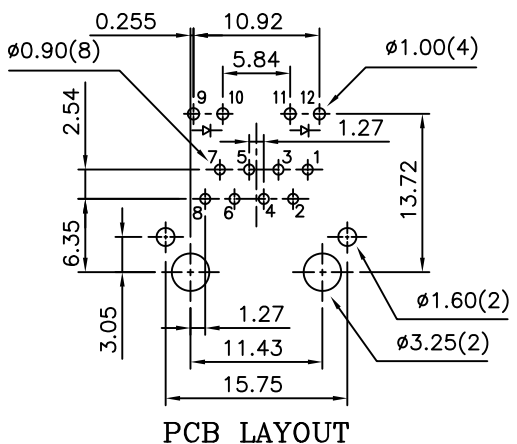
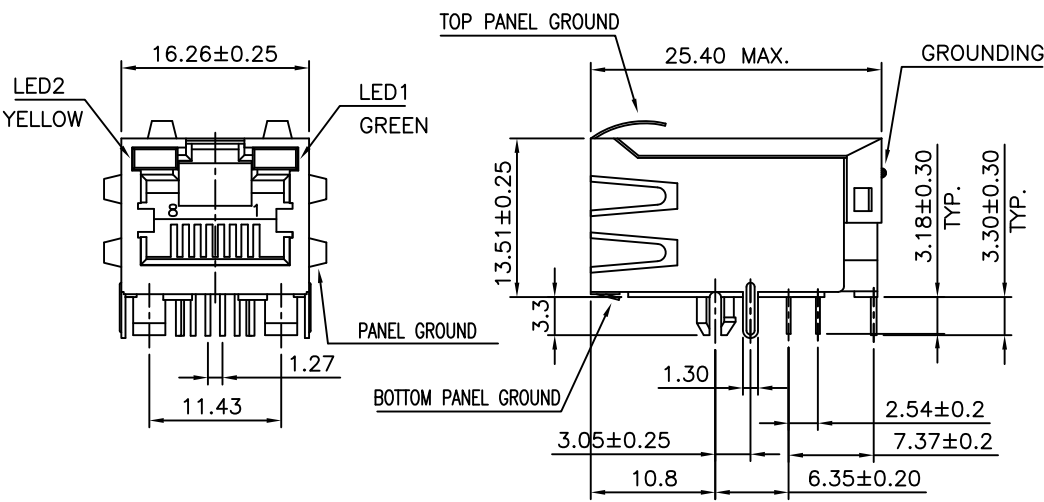


SWITCH CIRCUIT

MATERIAL AND FINISH AS BELOW

A	Housing	PBT UL94V-0 Black	E
B	Contact	Phosphor Bronze C5191, Contact Area: 5u" Gold	F
C	Shell	Brass C2680, Nickel Plating	G
D			H



PRODUCT NUMBER:
213A-11 C X X-RA13

- 1.No. of Contact
11:1X1
- 2.Contact Plating
C:5u" Gold Plating
- 3.EMI Tab
A:with EMI Tab
B:without EMI Tab
- 4.LED
A:Y(LED2)+G(LED1)

SPECIFICATION:

- 1. ELECTRICAL**
 - 1.1 Current Rating: 1.5A per pin
 - 1.2 Voltage Rating: 125V DC per pin
 - 1.3 Contact Resistance: 50mΩ
 - 1.4 Insulation Resistance: 1000MΩ
 - 1.5 Dielectric Withstanding Voltage: 1000VAC
- 2. MECHANICAL**
 - 2.1 Durability: 750 Cycle
- 3. ENVIRONMENTAL**
 - 3.1 Operating temperature range: -40°C ~ +85°C
 - 3.2 Storage temperature range: -40°C ~ +85°C
- 4. SOLDER ABILITY**
 - 4.1 Recommended Wave Soldering Temperature: 260°C
 - 4.2 Recommended PCB Thickness: 1.6mm

213A-11 C X A-RA13	RJ45 Jack Magnetic Type, Contact Area:5u" Gold
PRODUCT NO.	DESCRIPTION

UNLESS OTHERWISE SPECIFIED TOLERANCE		
ANGLES	ANG.	±5°
LINEAR	0.	±0.3
	0.0	±0.25
	0.00	±0.20
SCALE	AS SHOWN	UNIT: mm
DRAWN	Willis	2013/06/13
CHECKED	Angel	2013/06/13
APPROVED	Ken	2013/06/13



www.attend.com.tw
DRAWN NAME:
RJ45 Jack Magnetic Type

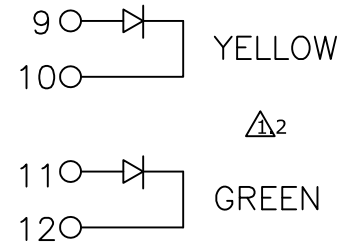
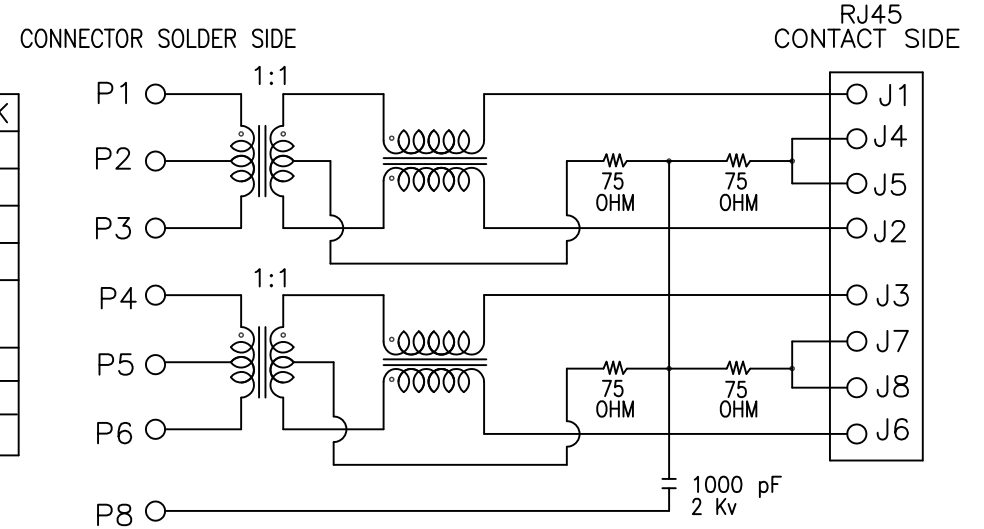
REV.	DESCRIPTION	DATE	REV.	DESCRIPTION	DATE
2	Corrected LED color	2021/11/08			
1	Revised operating temperature range	2021/10/14			

SIZE	A4	REV.	1.0	FILE NAME	213A-11CXA-RA13_B_1.2
------	----	------	-----	-----------	-----------------------

Specification :

Item	Parameter	Condition	Min.	Typ.	Max.	Unit	REMARK
1	Insertion loss	1-100 MHz			-1	dB	
2	Return loss	1-30 MHz	-20			dB	
		30-60 MHz	-15			dB	
		60-80 MHz	-12			dB	
3	Primary Inductance @100KHz, 0.1Vrms, 8mA DC BIAS	(J1-J2), (J3-J6)	350			μH	
4	Crosstalk	1-100 MHz	-35			dB	
5	Hipot	Vrms	1.5			kV	
6	COMMON MODE REJECTION	1-100 MHz	-35			dB	

* OPERATING TEMPERATURE RANGE: -40°C TO +85°C. Δ_1



CONNECTOR SCHEMATIC

				UNLESS OTHERWISE SPECIFIED TOLERANCE			ATTEND	
				ANGLES	ANG.	±5°	www.attend.com.tw	
				LINEAR	0.	±0.3		
					0.00	±0.20		
				SCALE	AS SHOWN	UNIT: mm	DRAWN NAME:	
				DRAWN	Willis	2013/06/13	RJ45 Jack Magnetic Type	
				CHECKED	Angel	2013/06/13	PRODUCT NO. 213A-11 C X A-RA13	
				APPROVED	Ken	2013/06/13	FILE NAME 213A-11CXA-RA13_B_1.2	
REV.	DESCRIPTION	DATE	REV.	DESCRIPTION	DATE	SIZE A4	REV. 1.0	
1			4					



www.attend.com.tw

DRAWN NAME: RJ45 Jack Magnetic Type

PRODUCT NO. 213A-11 C X A-RA13

FILE NAME 213A-11CXA-RA13_B_1.2