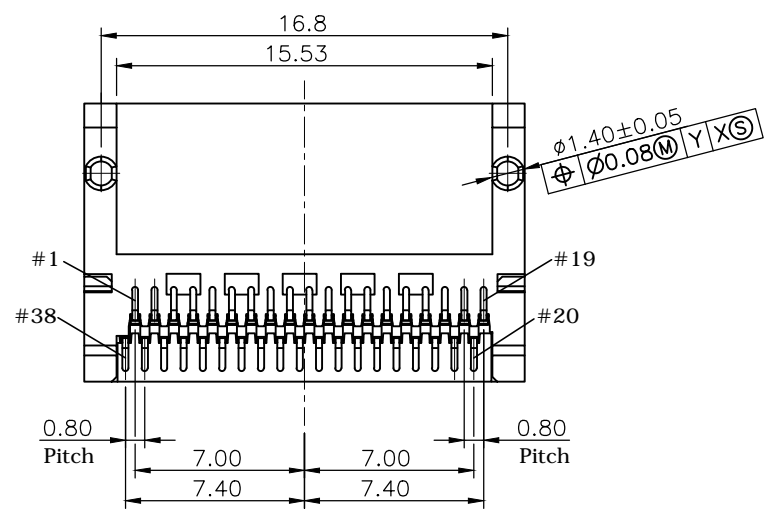
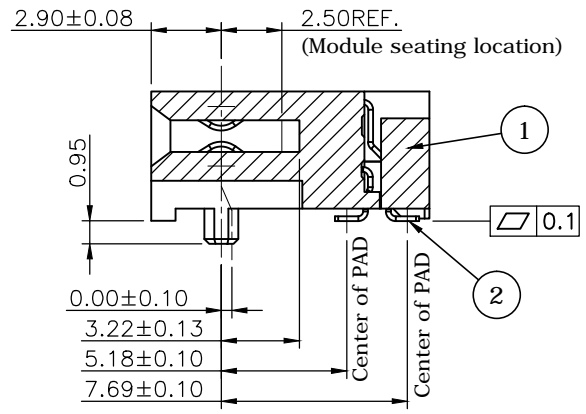
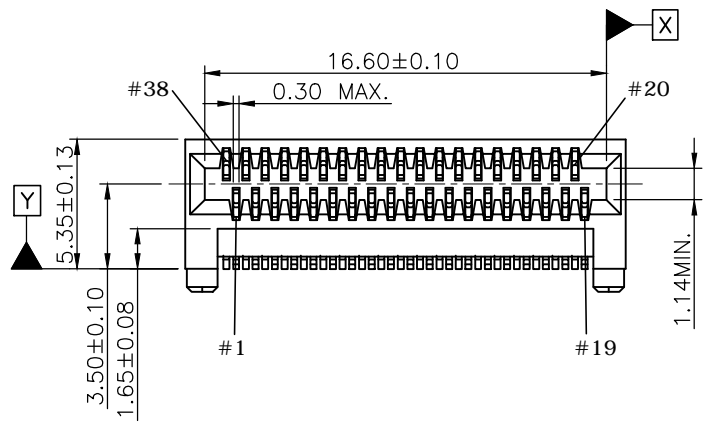
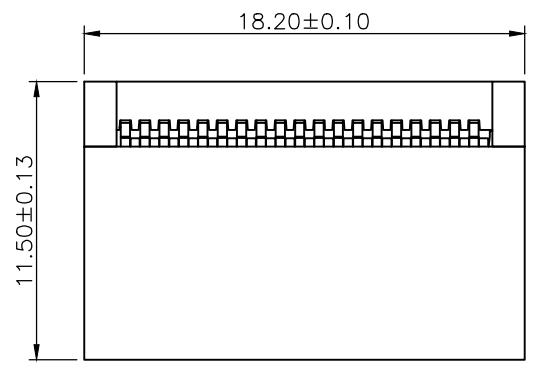


REV.	DESCRIPTION	DRAWN	DATE
1	INITIAL RELEASE	FROS	2015/09/02
2	CHANGE P/N, SFP002-F38 -> 223C-00E0	FROS	2016/10/30

SPECIFICATION:

1. ELECTRICAL
 - 1.1 Current Rating: 0.5A max.
 - 1.2 Voltage Rating: 30V AC/DC max.
 - 1.3 Contact Resistance: 80mΩ max.
 - 1.4 Dielectric Withstanding Voltage: 300VAC
2. ENVIRONMENTAL
 - 2.1 Operating temperature range: -20°C~+85°C



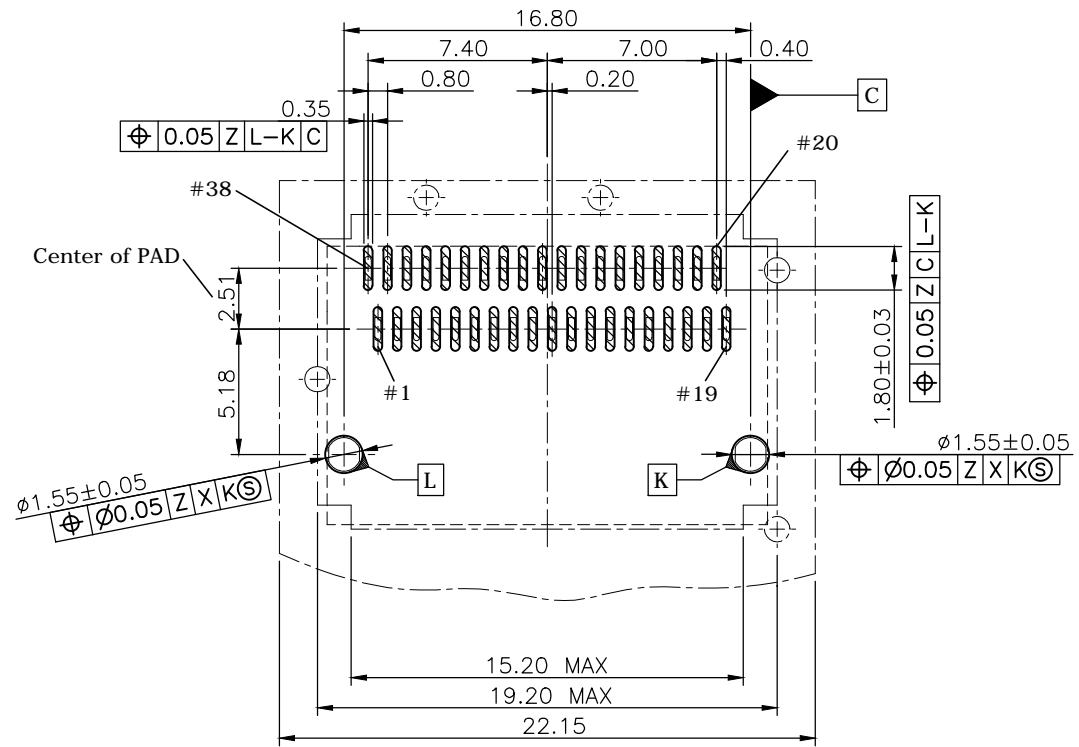
2	CONTACT	COPPER ALLOY, CONTACT AREA: 15u" GOLD SOLDER AREA: 100u" TIN UNDER PLATED: 50u" NICKEL
1	HOUSING	THERMOPLASTIC UL94V-0, BLACK
NO.	PART NAME	DESCRIPTION

UNLESS OTHERWISE SPECIFIED TOLERANCE			
UNIT:	DECIMAL	LINEAR	ANGLES
mm	X.	±0.50	±5°
	X.X	±0.25	±3°
	X.XX	±0.12	±1°



DRAWN	Fros	2015/09/02	DRAWN NAME:	QSFP Connector, Female, 38 Pin 15u" Gold, Solder Tin Plating			
CHECKED	Zola	2015/09/02					
APPROVED	Ken	2015/09/02	PRODUCT NO.	223C-00E0			
SCALE	3.2/1	SHEET	1/2	SIZE	A4	FILE NAME	223C-00E0_B_1

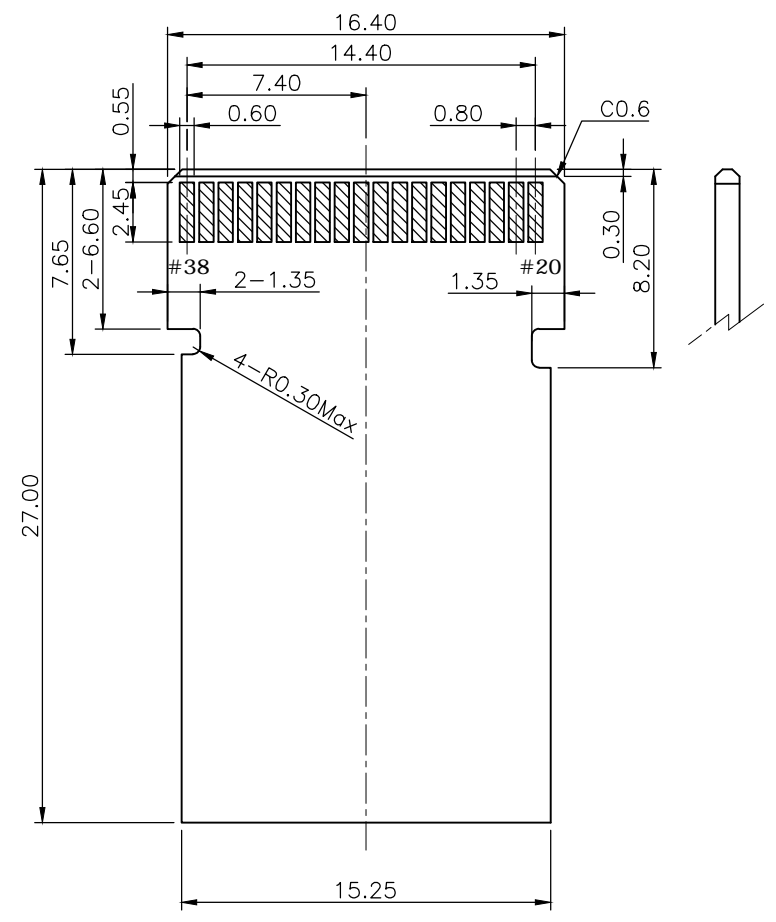
REV.	DESCRIPTION	DRAWN	DATE
	SEE SHEET ONE		



Datum Z is the top surface of the host board

- connector
- cage area
- PAD

RECOMMENDED LAYOUT (TOP VIEW)
GENERAL TOLERANCE: ±0.05mm



PCB DIMENSIONS
GENERAL TOLERANCE: ±0.05mm

UNLESS OTHERWISE SPECIFIED TOLERANCE				
UNIT:	DECIMAL	LINEAR	ANGLES	
mm	X.	±0.50	±5°	
	X.X	±0.25	±3°	
	X.XX	±0.12	±1°	
DRAWN	Fros	2015/09/02	DRAWN NAME: QSFPC Connector, Female, 38 Pin 15u" Gold, Solder Tin Plating	
CHECKED	Zola	2015/09/02		
APPROVED	Ken	2015/09/02		
	SCALE 3.2/1	SHEET 2/2	SIZE A4	PRODUCT NO. 223C-00E0
				FILE NAME 223C-00E0_B_1



WWW.ATTEND.COM.TW

2/2