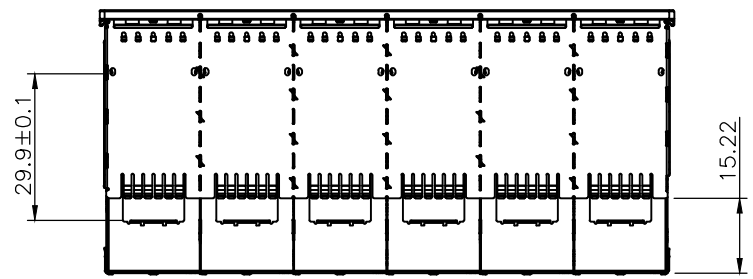
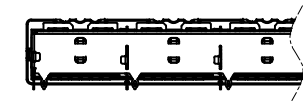
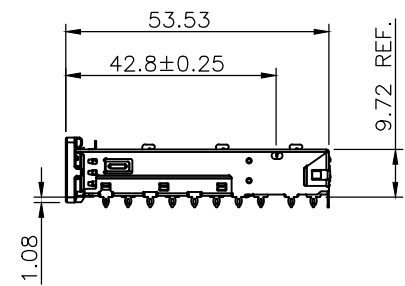
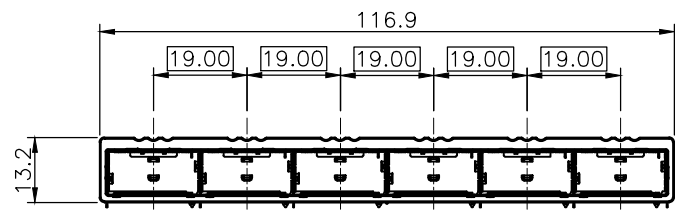
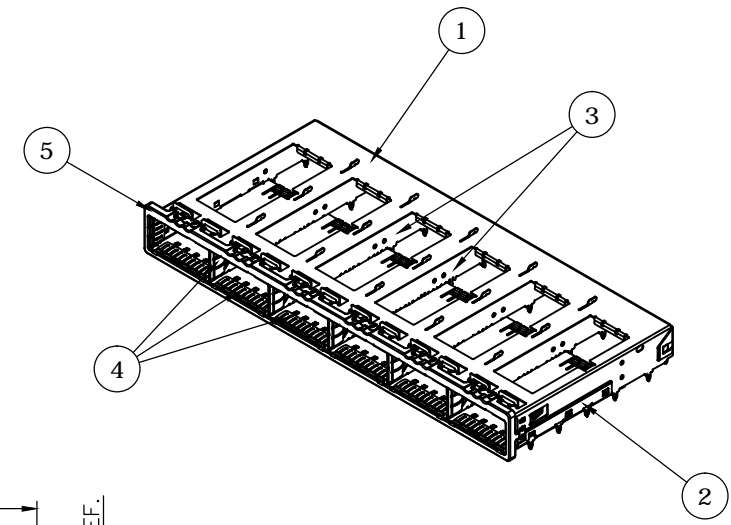
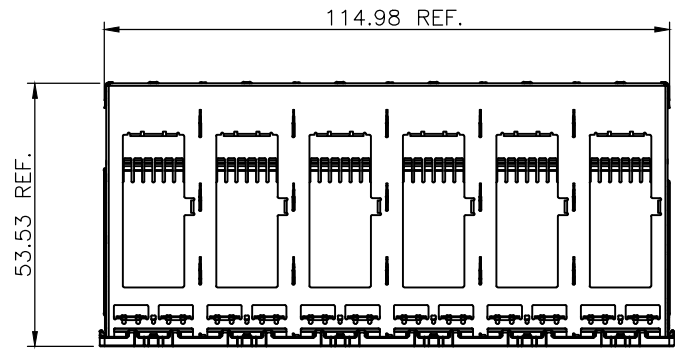


REV.	DESCRIPTION	DRAWN	DATE
1	INITIAL RELEASE	FROS	2016/09/12



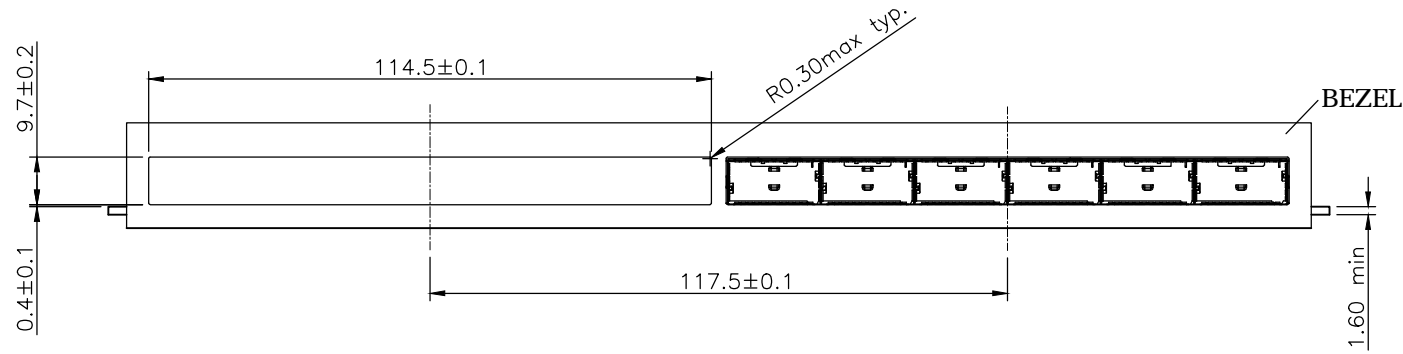
5	FRONT FLANGE	Zinc Alloy, Nickel over Copper plating
4	EMI SPRING	Stainless Steel
3	PARTITION	Stainless Steel, 0.25t
2	CAGE DOWN	Stainless Steel, 0.25t
1	CAGE UP	Stainless Steel, 0.25t

NO.		PART NAME		DESCRIPTION	
UNLESS OTHERWISE SPECIFIED TOLERANCE					
UNIT:	DECIMAL	LINEAR	ANGLES		
	mm	X	±0.50	±5°	
		X.X	±0.25	±3°	
		X.XX	±0.12	±1°	
DRAWN	Fros	2016/09/12	DRAWN NAME:		
CHECKED	Tim	2016/09/12	QSFP Connector 1x6 Port Press Fit Type Cage		
APPROVED	Ken	2016/09/12	PRODUCT NO. 223C-1601		
SCALE		SHEET	SIZE	FILE NAME	
0.65		1/4	A4	223C-1601_B_1	

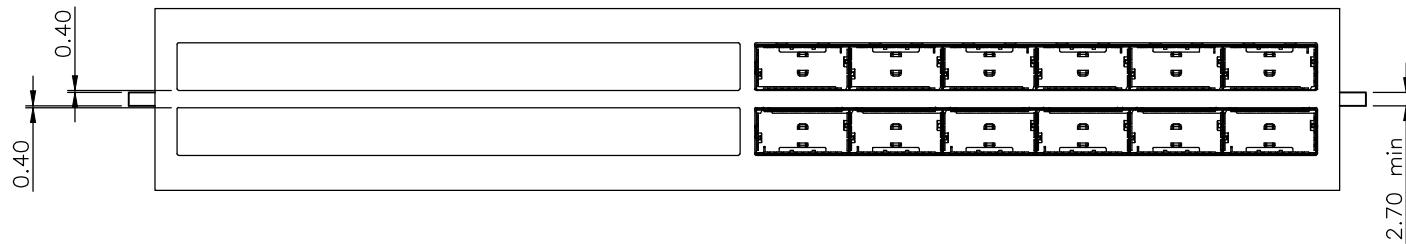
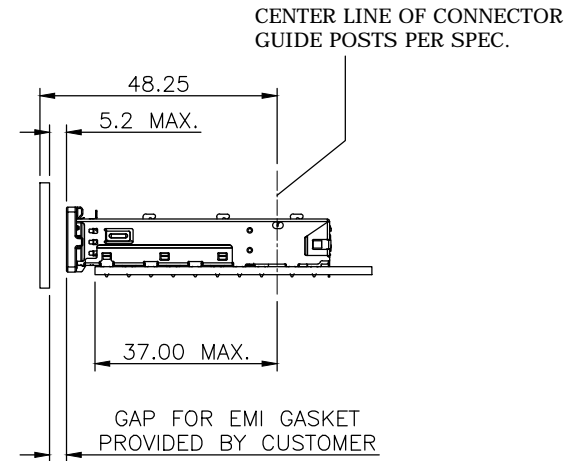


WWW.ATTEND.COM.TW

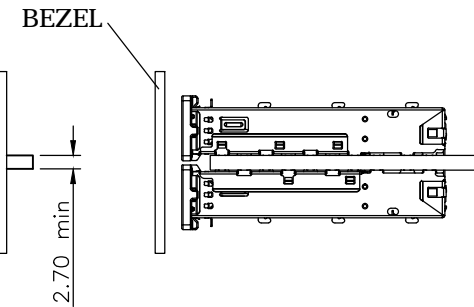
REV.	DESCRIPTION	DRAWN	DATE
1	INITIAL RELEASE	FROS	2016/09/12



BEZEL AND BOARD POSITION DIMENSION  
FOR SINGLE SIDE MOUNTING (BEHIND BEZEL)



BEZEL AND BOARD POSITION DIMENSION  
FOR BELLY TO BELLY MOUNTING (BEHIND BEZEL)



UNLESS OTHERWISE SPECIFIED TOLERANCE

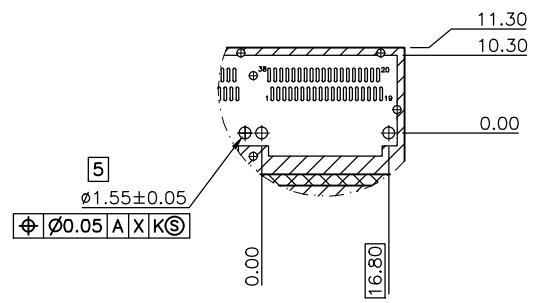
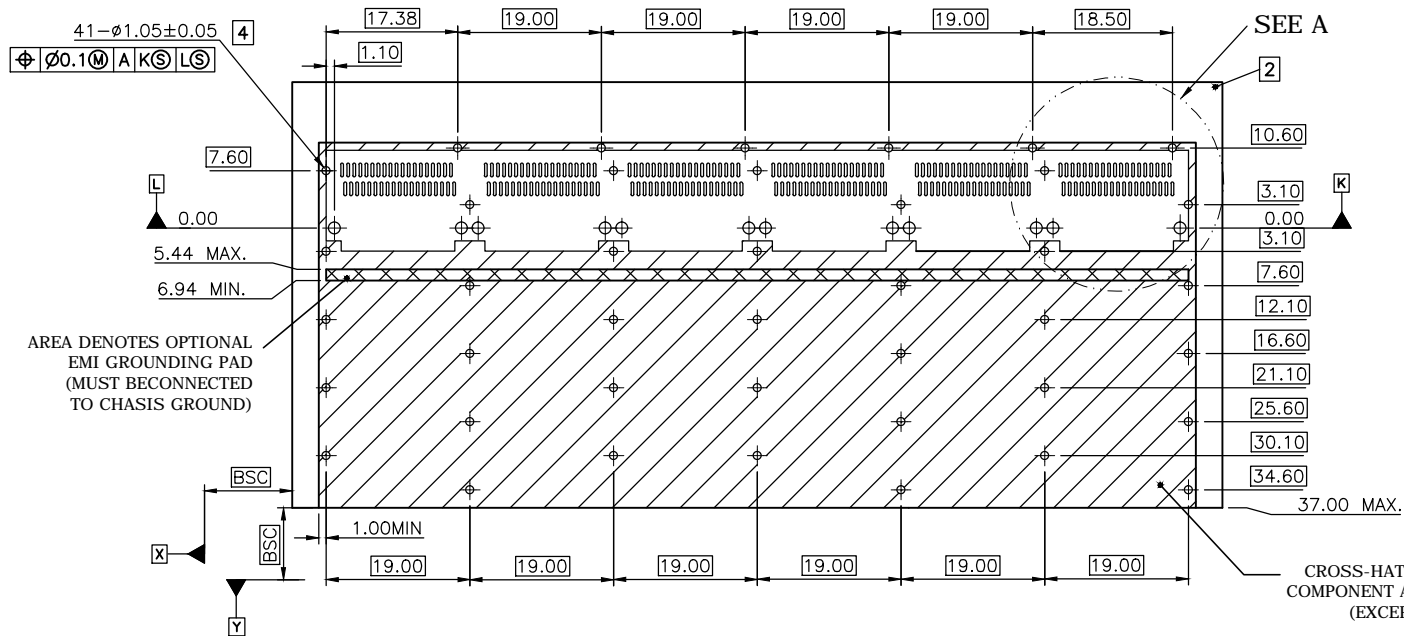
UNIT:	DECIMAL	LINEAR	ANGLES
mm	X.	±0.50	±5°
	X.X	±0.25	±3°
	X.XX	±0.12	±1°



WWW.ATTEND.COM.TW

DRAWN	Fros	2016/09/12	DRAWN NAME:	QSFP Connector	
CHECKED	Tim	2016/09/12		1x6 Port Press Fit Type Cage	
APPROVED	Ken	2016/09/12	PRODUCT NO.	223C-1601	
SCALE	0.65	SHEET	2/4	SIZE	A4
			FILE NAME	223C-1601_B_1	

REV.	DESCRIPTION	DRAWN	DATE
1	INITIAL RELEASE	FROS	2016/09/12




**DETAIL A**

AREA DENOTES OPTIONAL EMI GROUNDING PAD (MUST BECONNECTED TO CHASIS GROUND)

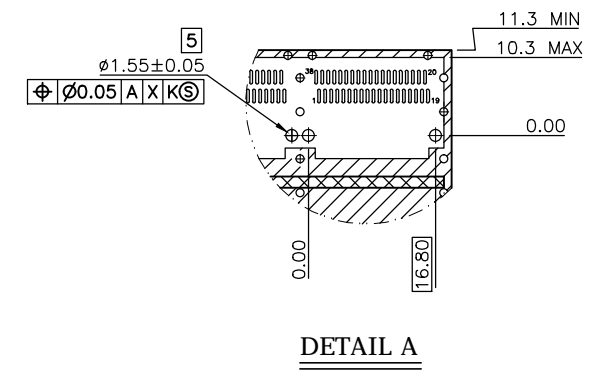
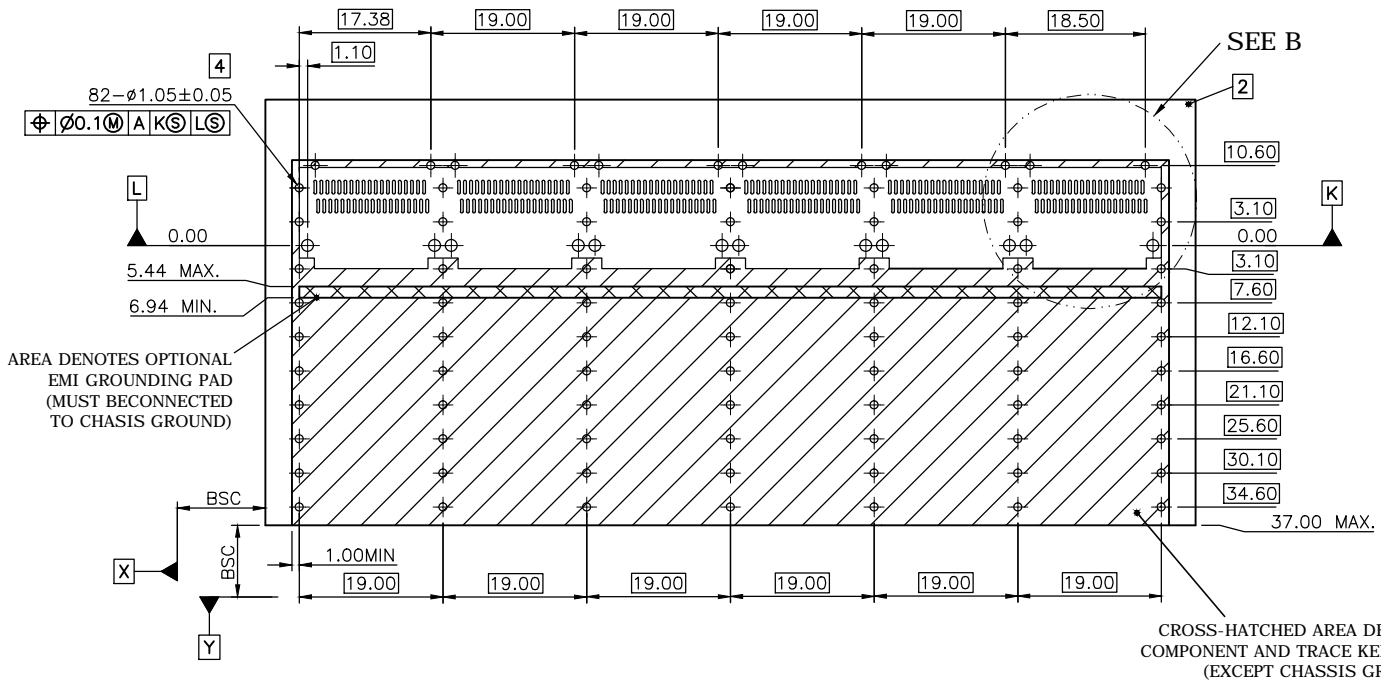
CROSS-HATCHED AREA DENOTES COMPONENT AND TRACE KEEP-OUT (EXCEPT CHASIS GROUND)

**RECOMMENDED SINGLE SIDE PC BOARD LAYOUT**

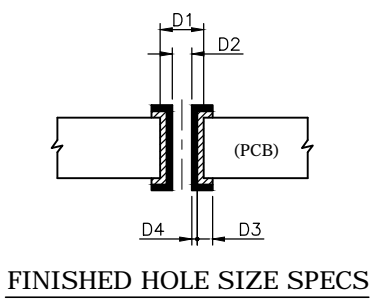
- NOTES:
1. DATUM X & Y ARE ESTABLISHED BY THE CUSTOMER'S FIDUCIAL
  2. DATUM A IS THE TOP SURFACE OF THE HOST BOARD
  3. LOCATION OF THE EDGE OF PCB IS APPLICATION SPECIFIC
  4. FINISHED HOLE SIZE
  5. UNPLATED THRU HOLE.

UNLESS OTHERWISE SPECIFIED TOLERANCE				 <a href="http://WWW.ATTEND.COM.TW">WWW.ATTEND.COM.TW</a>
UNIT:	DECIMAL	LINEAR	ANGLES	
mm	X.	±0.50	±5°	
	X.X	±0.25	±3°	
	X.XX	±0.12	±1°	
DRAWN	Fros	2016/09/12	DRAWN NAME:	
CHECKED	Tim	2016/09/12	QSFP Connector 1x6 Port Press Fit Type Cage	
APPROVED	Ken	2016/09/12	PRODUCT NO. 223C-1601	
SCALE	0.8	SHEET 3/4	SIZE A4	FILE NAME 223C-1601_B_1


REV.	DESCRIPTION	DRAWN	DATE
1	INITIAL RELEASE	FROS	2016/09/12



**RECOMMENDED BELLY TO BELLY PC BOARD LAYOUT**



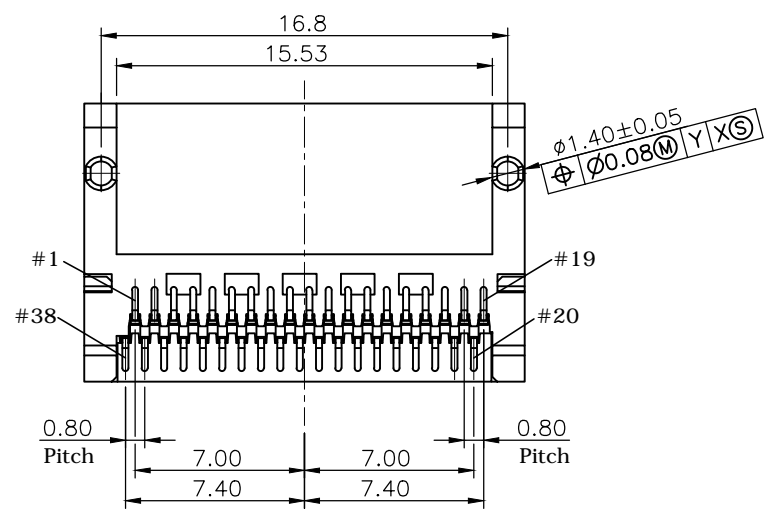
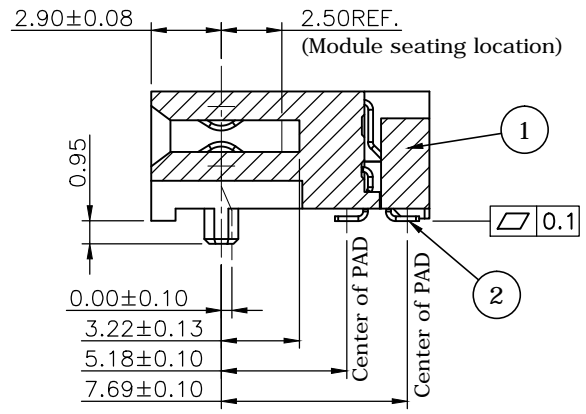
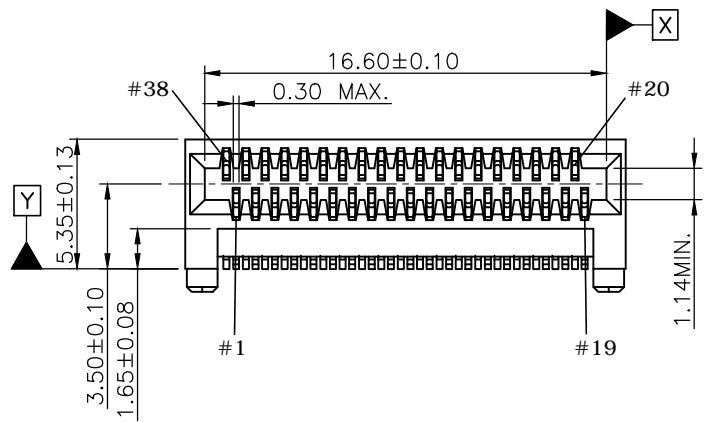
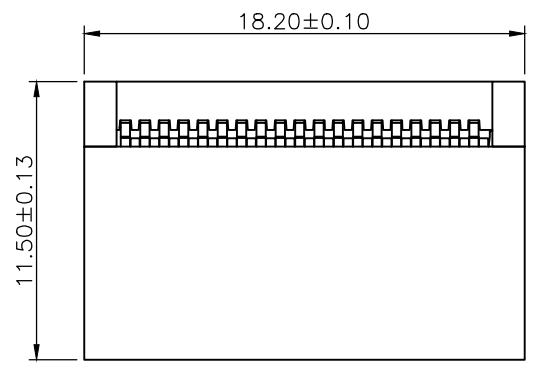
- DIMENSIONS NOTE:**
- D1: 1.15±0.02
  - D2: 1.05±0.05
  - D3: 0.025-0.05mm
  - D4: 0.004-0.01mm Hot Air Solder Leveling (HASL) Tin-Lead  
0.0005mm min. Immersion Tin  
0.0002-0.0005mm Organic Solderability Preservative (OSP)  
0.004-0.0076mm Nickel, 0.0001-0.0005 Immersion Gold

UNLESS OTHERWISE SPECIFIED TOLERANCE					
UNIT:	DECIMAL	LINEAR	ANGLES		
mm	X.	±0.50	±5°	WWW.ATTEND.COM.TW	
	X.X	±0.25	±3°		
	X.XX	±0.12	±1°		
DRAWN	Fros	2016/09/12	DRAWN NAME:		
CHECKED	Tim	2016/09/12	QSFP Connector 1x6 Port Press Fit Type Cage		
APPROVED	Ken	2016/09/12	PRODUCT NO. 223C-1601		
SCALE	0.8	SHEET 4/4	SIZE A4	FILE NAME 223C-1601_B_1	

REV.	DESCRIPTION	DRAWN	DATE
1	INITIAL RELEASE	FROS	2015/09/02
2	CHANGE P/N, SFP002-F38 -> 223C-00E0	FROS	2016/10/30

**SPECIFICATION:**

1. ELECTRICAL
  - 1.1 Current Rating: 0.5A max.
  - 1.2 Voltage Rating: 30V AC/DC max.
  - 1.3 Contact Resistance: 80mΩ max.
  - 1.4 Dielectric Withstanding Voltage: 300VAC
2. ENVIRONMENTAL
  - 2.1 Operating temperature range: -20°C~+85°C



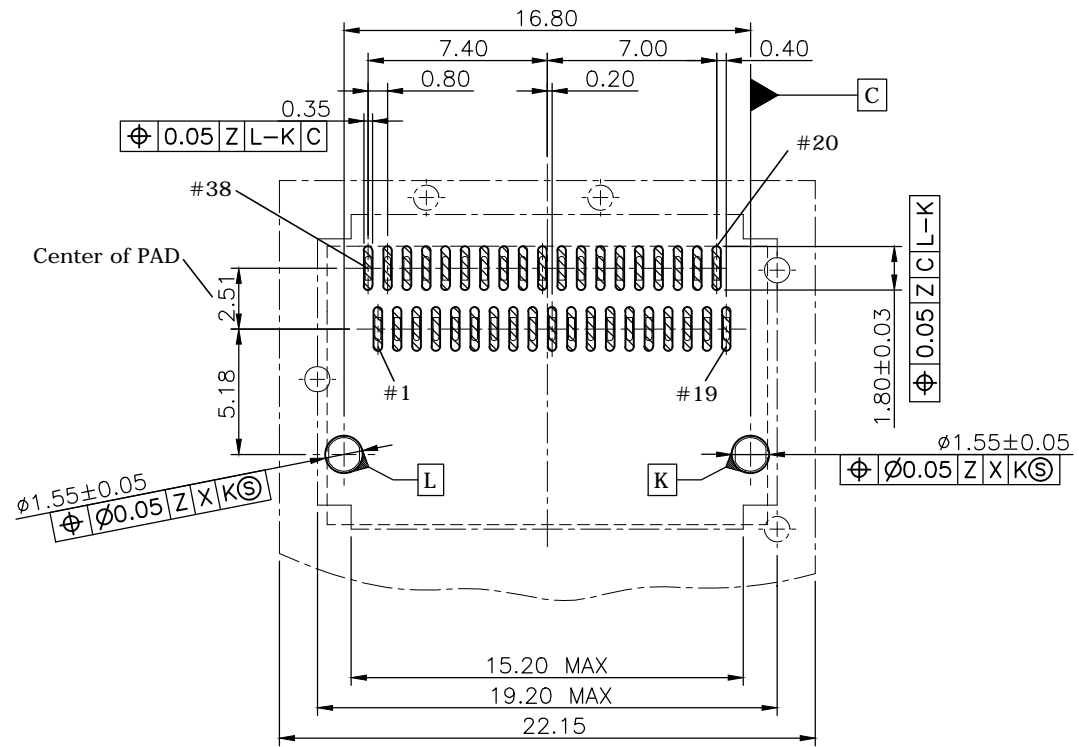
2	CONTACT	COPPER ALLOY, CONTACT AREA: 15u" GOLD SOLDER AREA: 100u" TIN UNDER PLATED: 50u" NICKEL
1	HOUSING	THERMOPLASTIC UL94V-0, BLACK
NO.	PART NAME	DESCRIPTION

UNLESS OTHERWISE SPECIFIED TOLERANCE			
UNIT:	DECIMAL	LINEAR	ANGLES
mm	X.	±0.50	±5°
	X.X	±0.25	±3°
	X.XX	±0.12	±1°



DRAWN	Fros	2015/09/02	DRAWN NAME:	QSFP Connector, Female, 38 Pin 15u" Gold, Solder Tin Plating			
CHECKED	Zola	2015/09/02					
APPROVED	Ken	2015/09/02	PRODUCT NO.	223C-00E0			
SCALE	3.2/1	SHEET	1/2	SIZE	A4	FILE NAME	223C-00E0_B_1

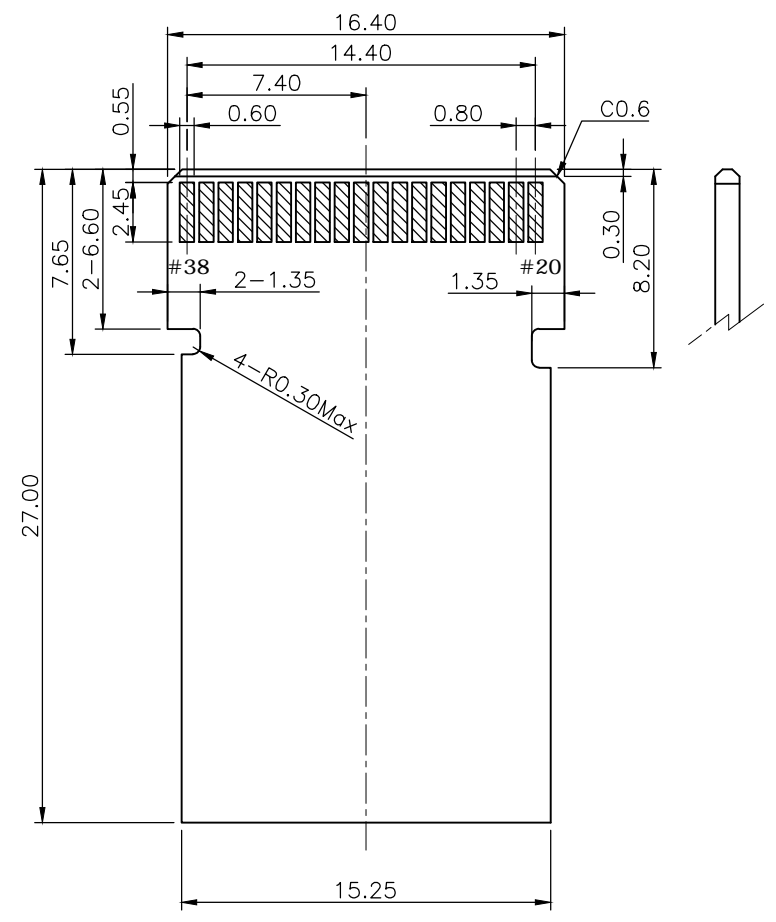
REV.	DESCRIPTION	DRAWN	DATE
	SEE SHEET ONE		



Datum Z is the top surface of the host board

- connector
- cage area
- PAD

**RECOMMENDED LAYOUT (TOP VIEW)**  
**GENERAL TOLERANCE: ±0.05mm**



**PCB DIMENSIONS**  
**GENERAL TOLERANCE: ±0.05mm**

UNLESS OTHERWISE SPECIFIED TOLERANCE			
UNIT:	DECIMAL	LINEAR	ANGLES
mm	X.	±0.50	±5°
	X.X	±0.25	±3°
	X.XX	±0.12	±1°



DRAWN	Fros	2015/09/02	DRAWN NAME:	
CHECKED	Zola	2015/09/02	QSFPC Connector, Female, 38 Pin	
APPROVED	Ken	2015/09/02	15u" Gold, Solder Tin Plating	
SCALE	3.2/1	SHEET	2/2	SIZE
				A4
FILE NAME	223C-00E0_B_1		PRODUCT NO.	223C-00E0

WWW.ATTEND.COM.TW