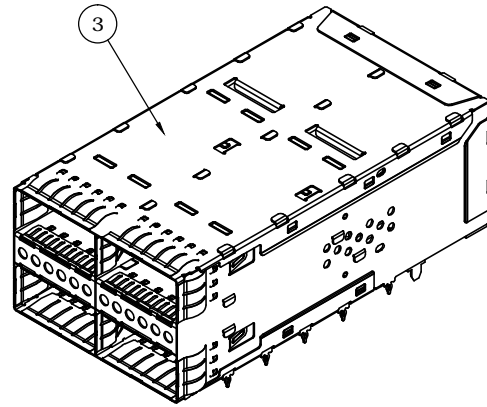
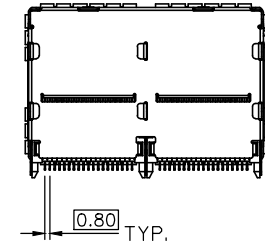
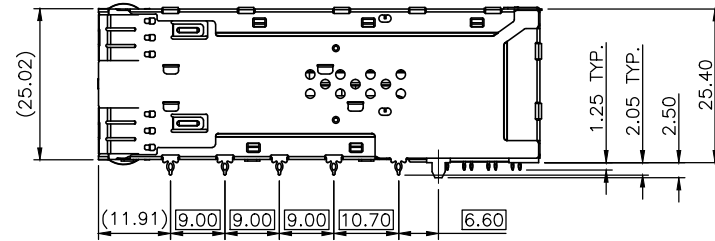
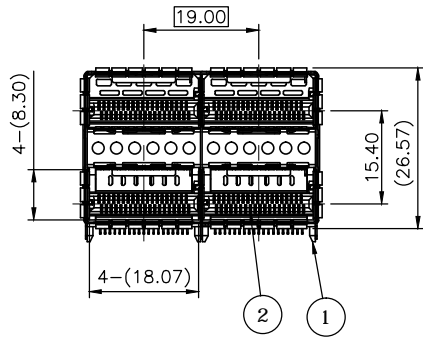
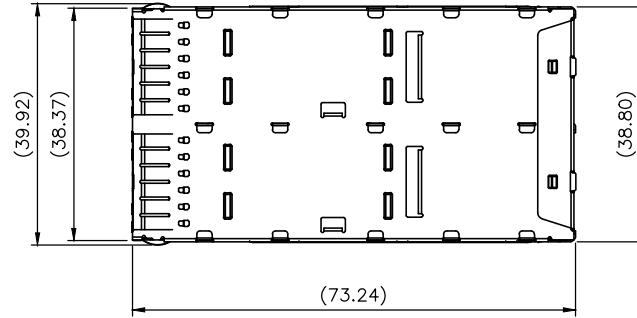


REV.	DESCRIPTION	DRAWN	DATE
1	INITIAL RELEASE	FROS	2016/09/12
2	ECR230207001	FROS	2023/02/07

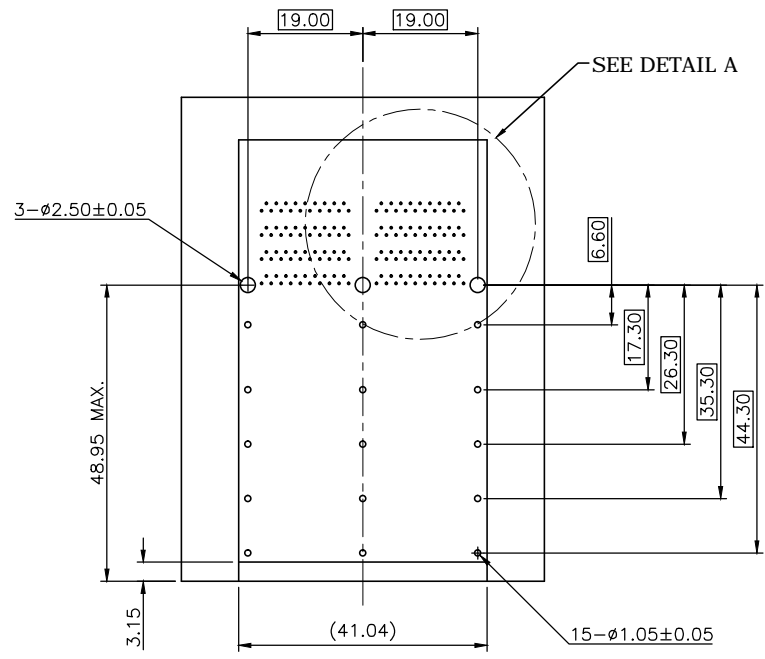


3	CAGE	Stainless Steel		
2	CONTACT	Copper Alloy, Gold plating on contact area, Matte Tin plating on tail area, under Nickel plating		
1	HOUSING	High Temperature Thermoplastic, UL94V-0, Black		
NO.	PART NAME	DESCRIPTION		
UNLESS OTHERWISE SPECIFIED TOLERANCE				
UNIT:	DECIMAL	LINEAR	ANGLES	
mm	X.	±0.50	±5°	
	X.X	±0.25	±3°	
	X.XX	±0.12	±1°	
DRAWN		Fros	2016/09/12	DRAWN NAME: QSFP Connector, 2x2 Port Press fit type cage with connector 30u"
CHECKED		Tim	2016/09/12	
APPROVED		Ken	2016/09/12	
SCALE		0.8	SHEET 1/2	
FILE NAME		223C-2203_B_2		

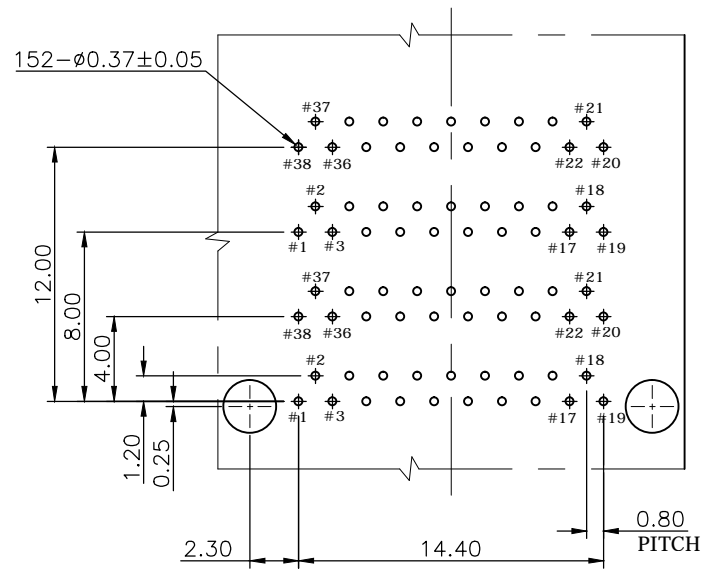


WWW.ATTEND.COM.TW

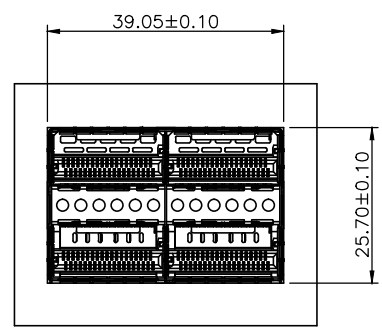
REV.	DESCRIPTION	DRAWN	DATE
	see sheet one		



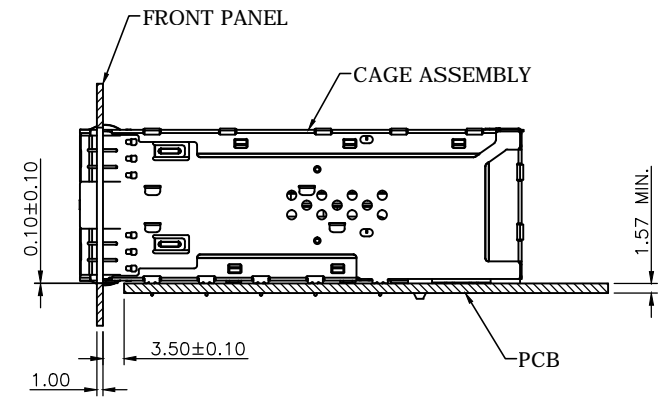
RECOMMENDED PCB LAYOUT (TOP VIEW)
 MINIMUM PCB THICKNESS OF 1.57mm
 GENERAL TOLERANCE: ±0.05




DETAIL A
 SCALE 2.8/1



RECOMMENDED PANEL CUTOUT



UNLESS OTHERWISE SPECIFIED TOLERANCE				 WWW.ATTEND.COM.TW
UNIT:	DECIMAL	LINEAR	ANGLES	
mm	X.	±0.50	±5°	
	X.X	±0.25	±3°	
	X.XX	±0.12	±1°	
DRAWN	Fros	2016/09/12	DRAWN NAME:	
CHECKED	Tim	2016/09/12	QSFP Connector, 2x2 Port	
APPROVED	Ken	2016/09/12	Press fit type cage with connector 30u"	
	SCALE	SHEET	SIZE	PRODUCT NO.
	0.8	2/2	A4	223C-2203
			FILE NAME	223C-2203_B_2