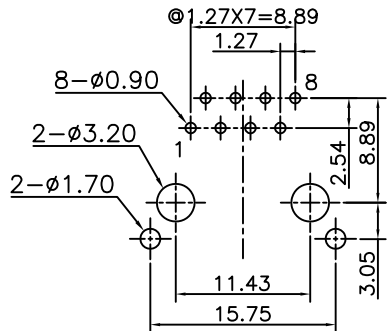
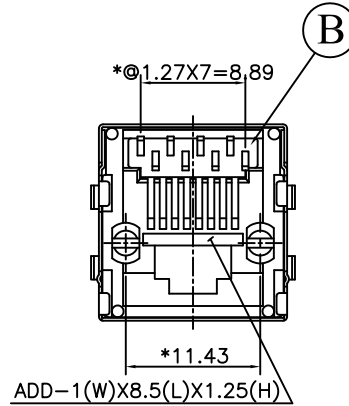
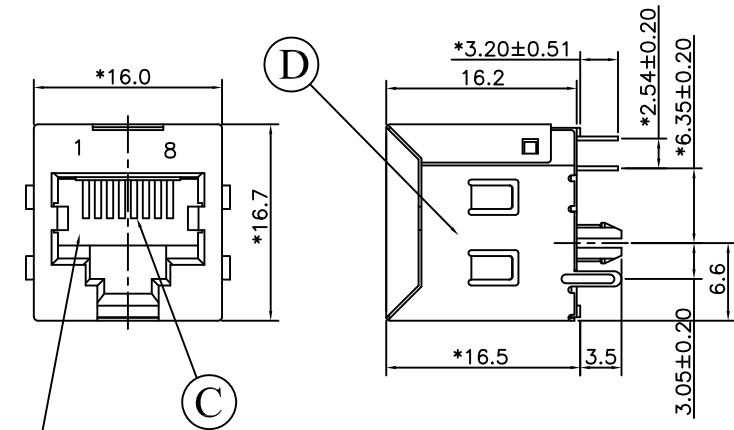


SWITCH CIRCUIT			MATERIAL AND FINISH AS BELOW						
WHEN CARD IS EJECTED	WHEN CARD IS INSERTED	A	Housing	PA66 UL94V-0, Color: Black	E				
		B	Insert	PBT, Color: Black	F				
		C	Contact	Phosphor Bronze, Gold Plating Over Nickel, T=0.35	G				
		D	Shell	Brass, C2680	H				




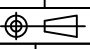
PC Board Layout
Component Side Shown

PRODUCT NUMBER:
210A-11 X 0 A -RA10
1 2 3

- 1. No. of Contact
11:1X1 Port
- 2. Contact Plating
C:5u" Gold Plating
- 3. EMI Tab
A: With EMI Tab

SPECIFICATION:

- 1. ELECTRICAL
 - 1.1 Current Rating: 125VAC
 - 1.2 Voltage Rating: 1.5AMP
 - 1.3 Contact Resistance: 30mΩ Max
 - 1.4 Insulation Resistance: 1000MΩ Min
 - 1.5 Dielectric Withstanding Voltage: 1000VAC 60Hz, 1minute
- 2. MECHANICAL
 - 2.1 Durability: 750 Cycle
- 3. ENVIRONMENTAL
 - 3.1 Operating temperature range: -40°C to +85°C
 - 3.2 Storage temperature range: -40°C to +85°C
- 4. SOLDER ABILITY
 - 4.1 Recommended Wave Soldering Temperature: 260°C
 - 4.2 Recommended PCB Thickness: 1.6mm
 - 4.3 PCB Retention Pre-Solder: 1 LB Min
 - 4.4 PCB Retention Post-Solder: 10 LB Min

						UNLESS OTHERWISE SPECIFIED TOLERANCE			 www.attend.com.tw	
						ANGLES	ANG.	±5°		
						LINEAR	0.	±0.3		
							0.00	±0.25		
						SCALE	AS SHOWN	UNIT: mm	DRAWN NAME: RJ45 Jack With Shielded Type	
A						DRAWN	Willis	2012/09/04	PRODUCT NO. 210A-11C0A-RA10	
A						CHECKED	Angel	2012/09/04	FILE NAME 210A-11C0A-RA10_B_2.1	
A						APPROVED	Ken	2012/09/04		
REV.	DESCRIPTION		DATE	REV.	DESCRIPTION		DATE	 SIZE A4	REV. 1.0	
1				4						
2				5						
3				6						
4				7						
5				8						
6				9						
7				10						