

REV.	DESCRIPTION	DRAWN	DATE
1	INITIAL RELEASE	Willis	2012/08/03
2	Revised frame & correct housing detail on drawing	Tim	2020/10/30

SPECIFICATION:

1. ELECTRICAL

- 1.1 Current Rating: 1.5A
- 1.2 Voltage Rating: 125V AC RMS.
- 1.3 Contact Resistance: 35mΩ
- 1.4 Insulation Resistance: 1000MΩ
- 1.5 Dielectric Withstanding Voltage: 1000VAC

2. MECHANICAL

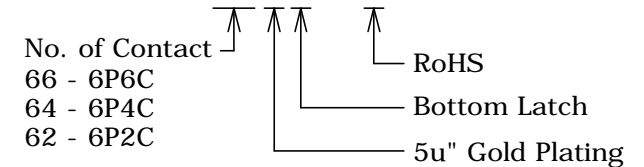
- 2.1 Durability: 750 Cycle
- 2.2 PCB Retention Pre-Solder: 1 LB MIN.
- 2.3 PCB Retention Post-Solder: 10 LBS MIN.

3. ENVIRONMENTAL

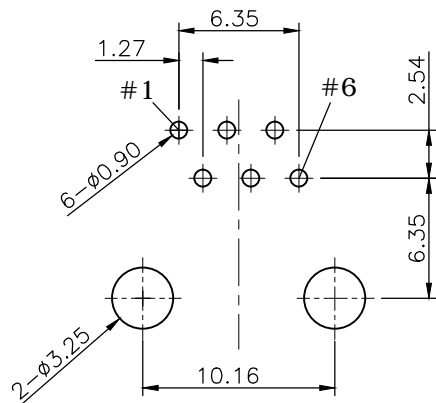
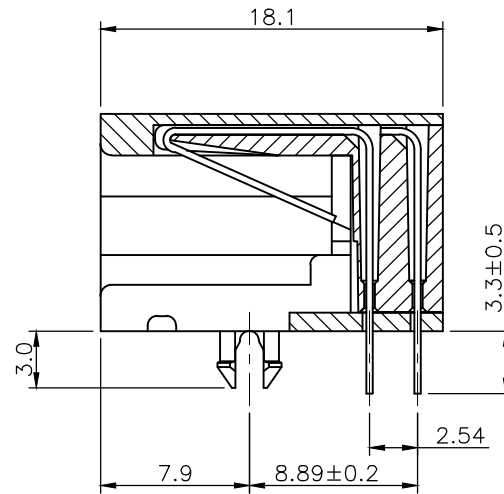
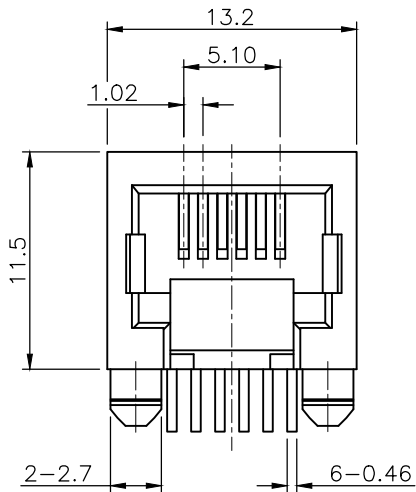
- 3.1 Operating temperature range: -40°C~+85°C
- 3.2 Storage temperature range: -40°C~+85°C

Mates with modular plug conforming to TIA-1096-A

P/N TABLE: 210B - 6 X C B 0 - R



2	CONTACT	Phosphor Bronze, Gold plating on contact area Tin plating on solder tail, under plated Nickel	
1	HOUSING	Thermoplastic, UL94V-0, Black	
NO.	PART NAME	DESCRIPTION	
UNLESS OTHERWISE SPECIFIED TOLERANCE			
UNIT:	DECIMAL	LINEAR	ANGLES
mm	X.	±0.50	±5°
	X.X	±0.25	±3°
	X.XX	±0.12	±1°
www.attend.com.tw			
DRAWN	Willis	2012/08/03	DRAWN NAME: Plastic Jack Single Port
CHECKED	Angel	2012/08/03	
APPROVED	Ken	2012/08/03	PRODUCT NO. SEE TABLE
	SCALE	SHEET	SIZE
	1/1	1/1	A4
FILE NAME		210B-6XCBO-R_B_2	



RECOMMENDED LAYOUT (TOP VIEW)

