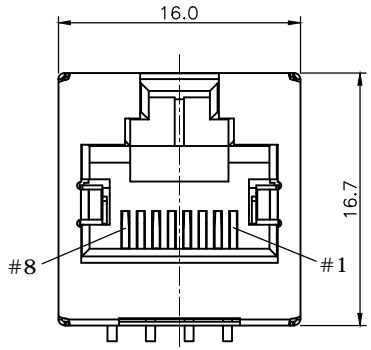


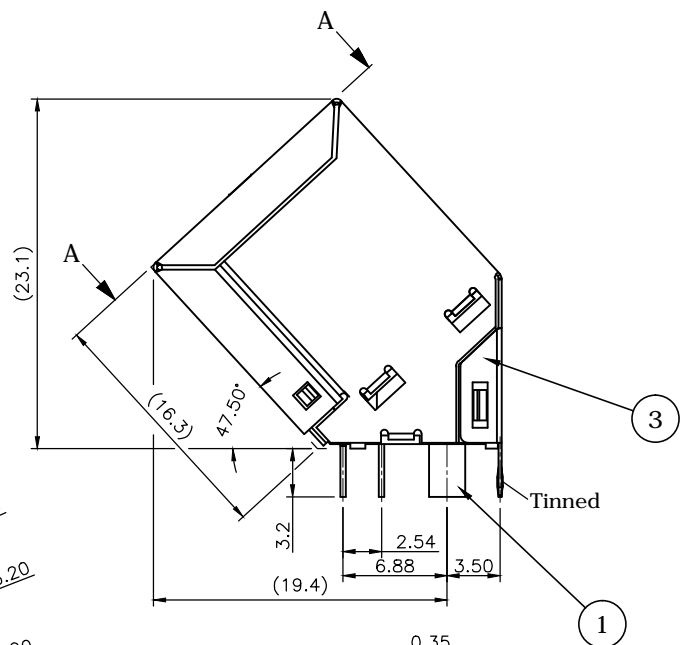
| REV. | DESCRIPTION                       | DRAWN | DATE       |
|------|-----------------------------------|-------|------------|
| 1    | INITIAL RELEASE                   | FROS  | 2015/12/14 |
| 2    | 210D-11C3B REVISION TO 210D-11CB3 | FROS  | 2016/11/01 |
| 3    | ECR1900016                        | FROS  | 2019/09/04 |

**SPECIFICATION:**

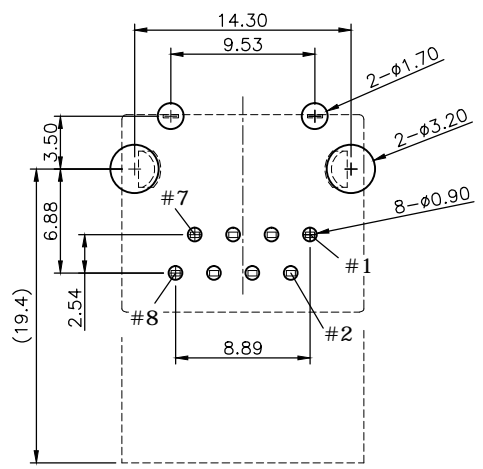
1. ELECTRICAL
    - 1.1 Current Rating: 1.5A
    - 1.2 Voltage Rating: 125VAC
    - 1.3 Contact Resistance: 35mΩ
    - 1.4 Insulation Resistance: 1,000MΩ
    - 1.5 Dielectric Withstanding Voltage: 1,000VAC
  2. MECHANICAL
    - 2.1 Durability: 750 Cycle
    - 2.2 PCB Retention Pre-Solder: 1LB min.
    - 2.3 PCB Retention Post-Solder: 10LBS min.
  3. ENVIRONMENTAL
    - 3.1 Operating temperature range: -40°C~+85°C
    - 3.2 Storage temperature range: -40°C~+85°C
- Mates with modular plug conforming to FCC part 68, subpart F.



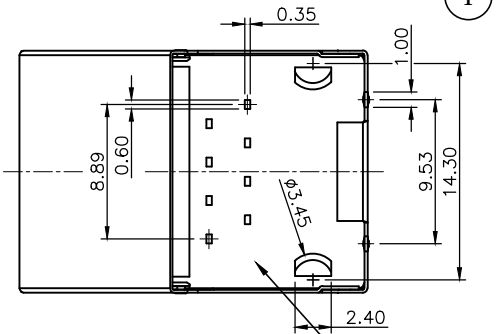
A-A VIEW



210D - 11 C B 3  
 Cat 6 RJ45  
 Module Jack  
 47.5 Degree Entry,  
 Metal Shield  
 w/o EMI Tab  
 5u" Gold Plating  
 1x1 Port



RECOMMENDED LAYOUT (TOP VIEW)  
GENERAL TOLERANCE: ±0.1



|     |           |   |
|-----|-----------|---|
| 3   | SHELL     | Brass C2680 0.2t, 30u"~50u" Nickel plating                                  |
| 2.2 | CONTACT   | Phosphor Bronze C5210 0.35t,<br>5u" selective Gold plating over 50u" Nickel |
| 2.1 | INSULATOR | Zytel HTNFR52, UL94V-0, Black   |
| 2   | INSERT    | Assembly  |
| 1   | HOUSING   | Zytel HTNFR52, UL94V-0, Black   |
| NO. | PART NAME | DESCRIPTION   |

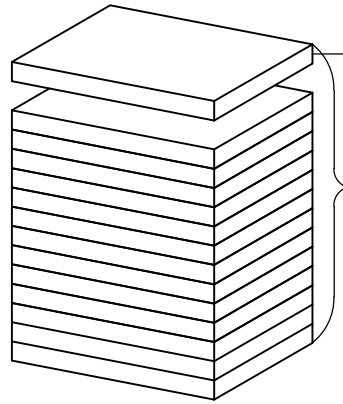
| UNLESS OTHERWISE SPECIFIED TOLERANCE |         |        |        |
|--------------------------------------|---------|--------|--------|
| UNIT:                                | DECIMAL | LINEAR | ANGLES |
| mm                                   | X.      | ±0.50  | ±5°    |
|                                      | X.X     | ±0.25  | ±3°    |
|                                      | X.XX    | ±0.12  | ±1°    |



WWW.ATTEND.COM.TW

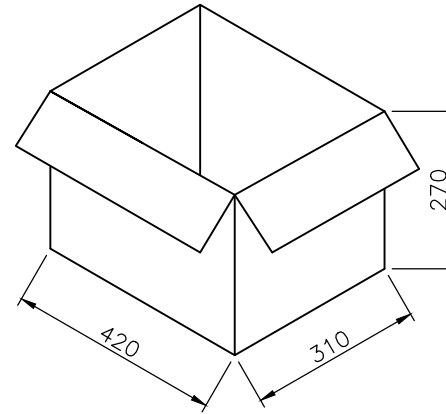
|          |      |            |             |  |    |
|----------|------|------------|-------------|--|----|
| DRAWN    | Fros | 2015/12/14 | DRAWN NAME: | RJ45 Cat.6 47.5° Entry Jack, Metal Shield w/o EMI Tab, STP, 5u" Gold |    |
| CHECKED  | Amy  | 2015/12/14 | PRODUCT NO. | 210D-11CB3   |    |
| APPROVED | Ken  | 2015/12/14 | FILE NAME   | 210D-11CB3_B_3   |    |
| SCALE    | 2.0  | SHEET      | 1/2         | SIZE   | A4 |

|      |               |       |      |
|------|---------------|-------|------|
| REV. | DESCRIPTION   | DRAWN | DATE |
|      | see sheet one |       |      |

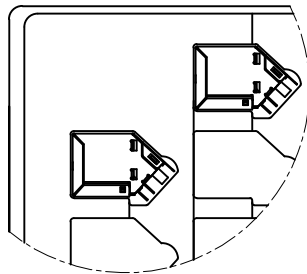


Tray with Cover = 1 Layer  
= 6x2+8x6 = 60pcs

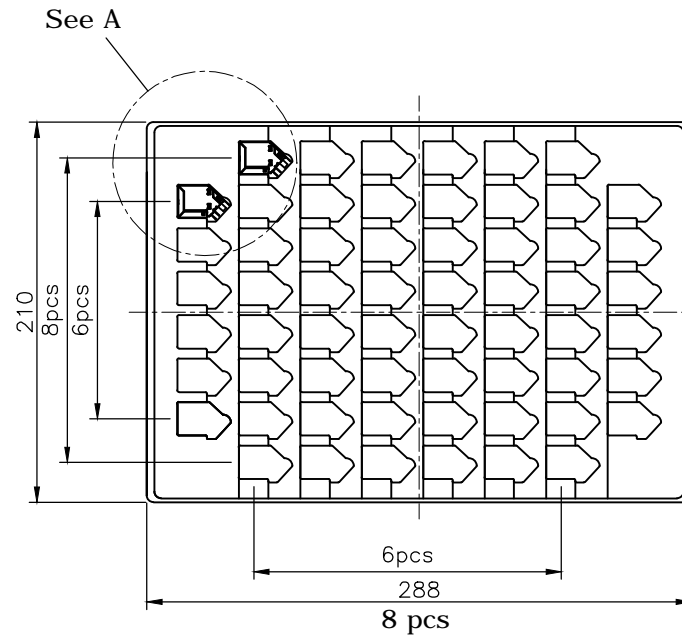
14 Layer = 1 Column  
= 60pcsx14Layer = 840pcs



1 Carton = 2 Column  
= 840pcsx2 = 1680pcs



Detail A



UNLESS OTHERWISE SPECIFIED TOLERANCE

| UNIT: | DECIMAL | LINEAR | ANGLES |
|-------|---------|--------|--------|
| mm    | X.      | ±0.50  | ±5°    |
|       | X.X     | ±0.25  | ±3°    |
|       | X.XX    | ±0.12  | ±1°    |



WWW.ATTEND.COM.TW

|          |      |            |             |  |    |
|----------|------|------------|-------------|--|----|
| DRAWN    | Fros | 2015/12/14 | DRAWN NAME: | RJ45 Cat.6 47.5° Entry Jack, Metal Shield w/o EMI Tab, STP, 5u" Gold |    |
| CHECKED  | Amy  | 2015/12/14 | PRODUCT NO. | 210D-11CB3   |    |
| APPROVED | Ken  | 2015/12/14 | FILE NAME   | 210D-11CB3_B_3   |    |
| SCALE    | 1/4  | SHEET      | 2/2         | SIZE   | A4 |