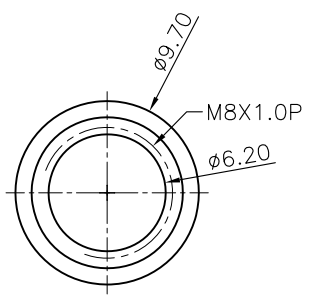
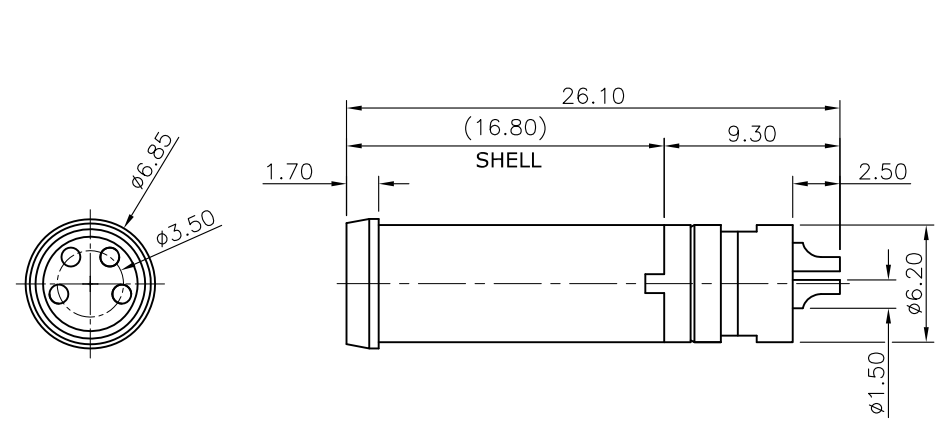


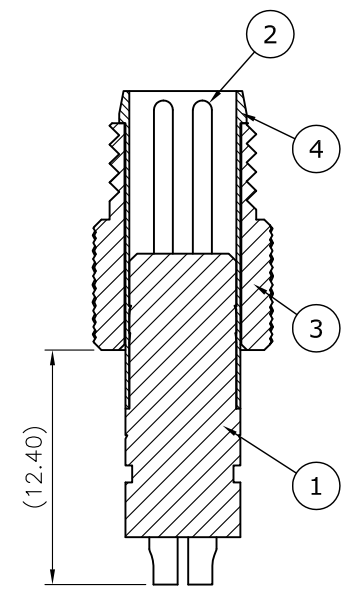
REV.	DESCRIPTION	DRAWN	DATE
1	INITIAL RELEASE	TIM	2016/08/23
2	ECR220421002	Fros	2022/04/21

SPECIFICATION:

1. CURRENT RATING: 3A
2. VOLTAGE: 50VAC/60VDC
3. WATER PROOF: IPX7
4. OPERATION TEMPERATURE: -40°C TO +85°C



NUT



NO	PART NAME	DESCRIPTION
4	SHELL	Brass, Nickel plating
3	NUT	Brass, Nickel plating
2	CONTACT	Brass, Gold plating over Nickel
1	HOUSING	PBT, UL94V-0, Black

UNLESS OTHERWISE SPECIFIED TOLERANCE			
UNIT:	DECIMAL	LINEAR	ANGLES
mm	X.	±0.50	±5°
	X.X	±0.25	±3°
	X.XX	±0.12	±1°



WWW.ATTEND.COM.TW

DRAWN	Tim	2016/08/23	DRAWN NAME:	
CHECKED	Fros	2016/08/23	M8 A-Code Plug for Cable	
APPROVED	Ken	2016/08/23	PRODUCT NO.	219A-04M00
SCALE	2.5/1	SHEET	1/1	SIZE
				A4
			FILE NAME	219A-04M00_B_2