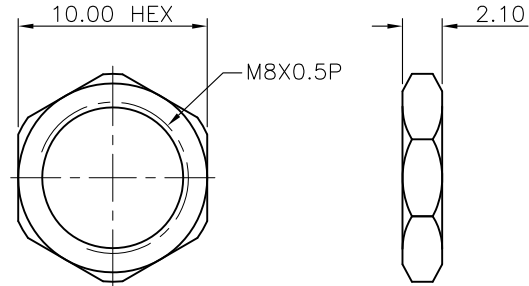


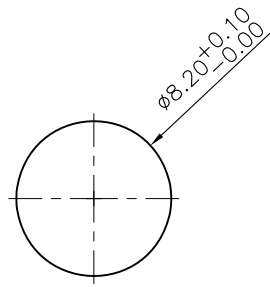
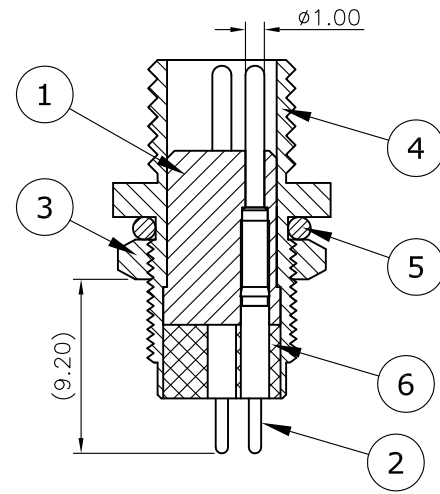
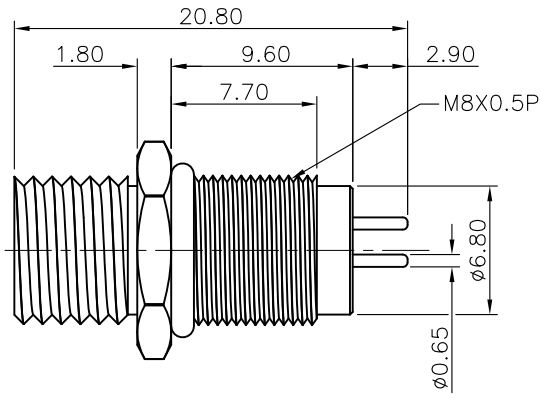
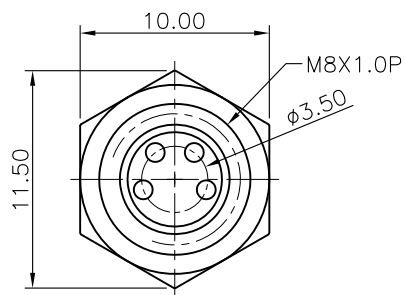
REV.	DESCRIPTION	DRAWN	DATE
1	INITIAL RELEASE	TIM	2016/08/23
2	ECR220421002	Fros	2022/04/21



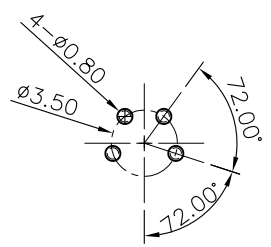
NUT

SPECIFICATION:

1. CURRENT RATING: 3A
2. VOLTAGE: 50VAC/60VDC
3. WATER PROOF: IPX7
4. OPERATION TEMPERATURE: -40°C TO +85°C




RECOMMEND PANEL CUT OUT



RECOMMEND PCB LAYOUT

6	EPOXY BASE	
5	O-RING	NBR, BLACK
4	SHELL	BRASS, NICKEL PLATED
3	NUT	BRASS, NICKEL PLATED
2	CONTACT	BRASS, 10u" GOLD PLATED UNDER NICKEL
1	HOUSING	PBT, BLACK
NO	PART NAME	DESCRIPTION

UNLESS OTHERWISE SPECIFIED TOLERANCE					
UNIT:	DECIMAL	LINEAR	ANGLES		
mm	X.	±0.50	±5°	WWW.ATTEND.COM.TW	
	X.X	±0.25	±3°		
	X.XX	±0.12	±1°		
DRAWN	Tim	2016/08/23	DRAWN NAME:		
CHECKED	Fros	2016/08/23	M8 A-Code Receptacle, 4Pin		
APPROVED	Ken	2016/08/23	PRODUCT NO.	219A-04MSR	
SCALE	2.5/1	SHEET	1/1	SIZE	A4
			FILE NAME	219A-04MSR_B_2	