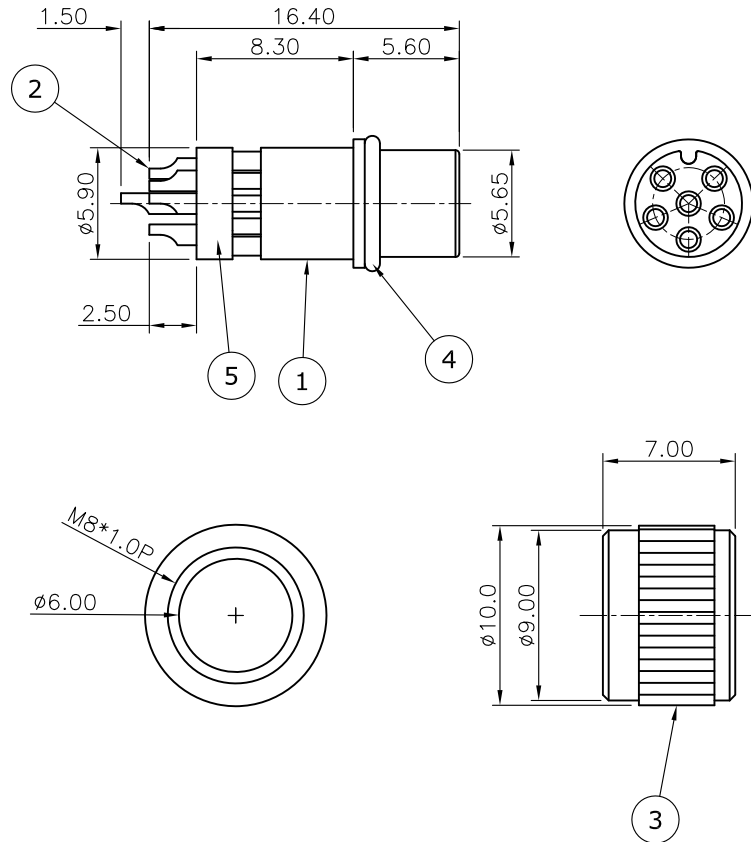



REV.	DESCRIPTION	DRAWN	DATE
1	INITIAL RELEASE	FROS	2018/05/15
2	ECR220421002	Fros	2022/04/21

**SPECIFICATION:**

1. CURRENT RATING: 1.5A
2. VOLTAGE: 30VAC/DC
3. WATER PROOF: IPX7
4. OPERATION TEMPERATURE: -40°C TO +85°C



5	EPOXY BASE	
4	O-RING	NBR ,BLACK
3	NUT	BRASS, NICKEL PLATED
2	CONTACT	BRASS, GOLD PLATED UNDER NICKEL
1	HOUSING	PA66, UL94V-0, BLACK
NO.	PART NAME	DESCRIPTION

UNLESS OTHERWISE SPECIFIED TOLERANCE					
UNIT:	DECIMAL	LINEAR	ANGLES		
mm	X.	±0.50	±5°	www.attend.com.tw	
	X.X	±0.25	±3°		
	X.XX	±0.12	±1°		
DRAWN	Fros	2018/05/15	DRAWN NAME:		
CHECKED	Tim	2018/05/15	M8 A-Code Receptacle, 6Pin Female for Overmold with Cable		
APPROVED	Ken	2018/05/15	PRODUCT NO.	219A-06FO0	
SCALE	2.5	SHEET	1/1	SIZE	A4
FILE NAME	219A-06FO0_B_2				