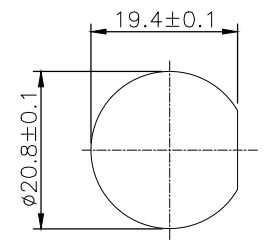
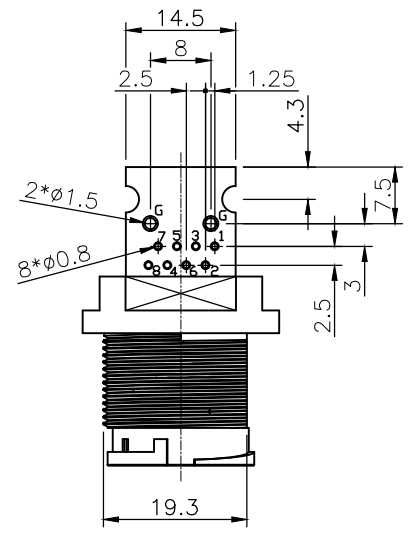
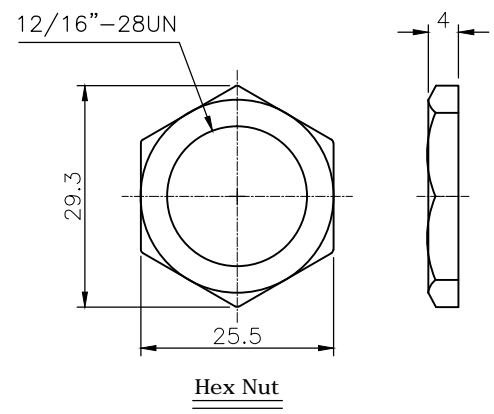
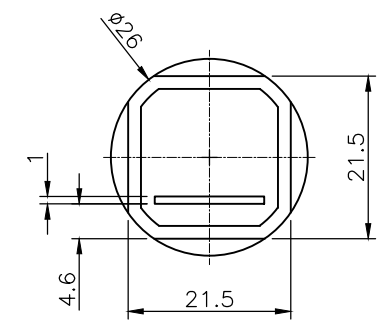
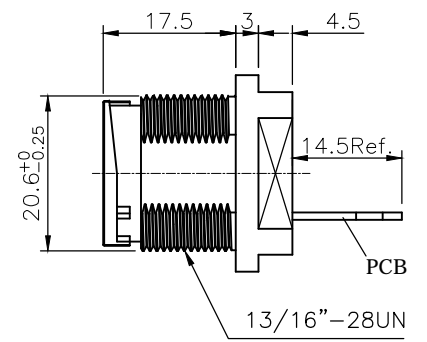
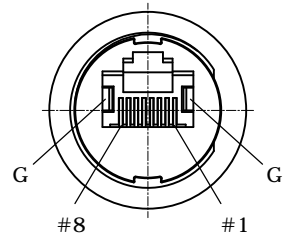


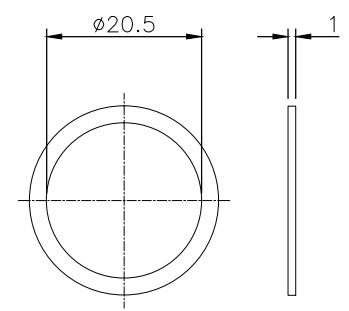
REV.	DESCRIPTION	DRAWN	DATE
1	INITIAL RELEASE	FROS	2020/10/05



Recommended Panel Cut



Hex Nut



Gasket

Notes:

1. Water proof IP67
2. Current Rating: 1.5A
3. Voltage Rating: 125V AC
4. Operation Temperature: -40°C to +85°C

7	PCB	FR4
6	NUT	PA66, UL94V-0, Black
5	GASKET	Silicon, gray black
4	GROUND	Stainless steel, nickel plating
3	SHELL	PA66, UL94V-0, Black
2	CONTACT	Phosphor Bronze, gold flash over nickel plating
1	HOUSING	PBT, UL94V-0, Black

NO.	PART NAME	DESCRIPTION	
UNLESS OTHERWISE SPECIFIED TOLERANCE			
UNIT:	DECIMAL	LINEAR	ANGLES
mm	X.	±0.50	±5°
	X.X	±0.25	±3°
	X.XX	±0.12	±1°
DRAWN Fros 2020/10/05			
CHECKED Tim 2020/10/05			
APPROVED Ken 2020/10/05			
SCALE	SHEET	SIZE	DRAWN NAME:
1/1	1/1	A4	RJ45 8P8C Waterproof Socket, Lock Type, w/PCB DIP holes
FILE NAME		PRODUCT NO.	
222A-03004_B_1		222A-03004	



www.attend.com.tw