

REV.	DESCRIPTION	DRAWN	DATE
1	INITIAL RELEASE	Willis	2012/08/03
2	new frame, corrected actuator form dims, removed page 2 dim. table, add "how to order" notes	Fros	2017/09/20

SPECIFICATION:

1. ELECTRICAL
 - 1.1 Current Rating: 0.5A per pin
 - 1.2 Voltage Rating: 50V DC/AC
 - 1.3 Contact Resistance: 20mΩ
 - 1.4 Insulation Resistance: 50MΩ
 - 1.5 Dielectric Withstanding Voltage: 250VAC
2. MECHANICAL
 - 2.1 Durability: 20 Cycle
 - 2.2 FPC Retention Force: 0.3N per pin min.
3. ENVIRONMENTAL
 - 3.1 Operating temperature range: -40°C~+85°C
 - 3.2 Storage temperature range: -40°C~+85°C
4. SOLDER ABILITY
 - 4.1 Recommended IR-Reflow Temperature: 260°C

How to order:

312A- XX R A A - R
 1 2 3 4

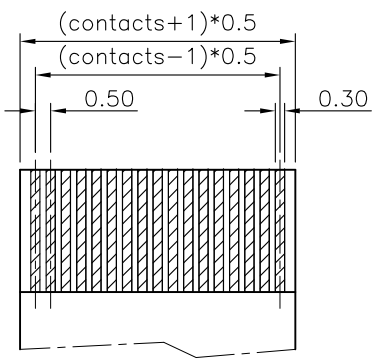
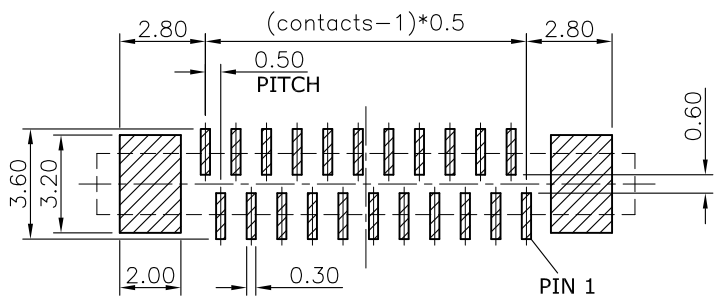
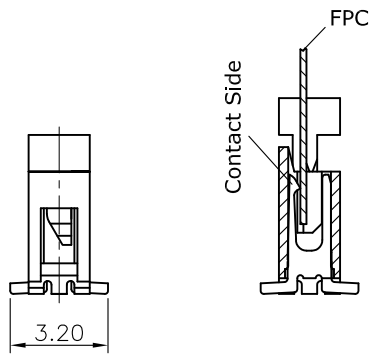
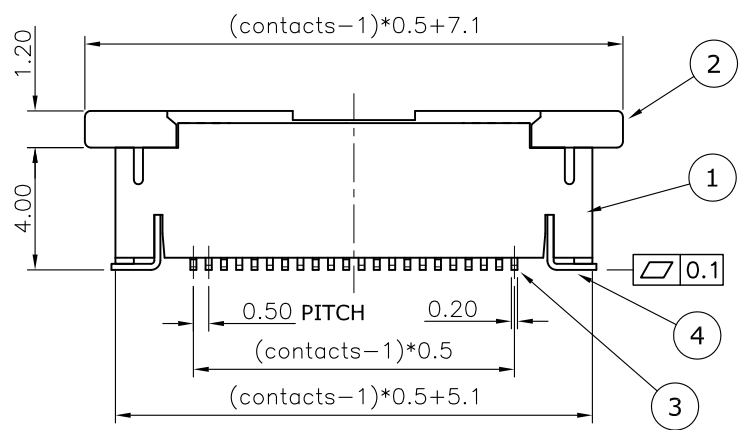
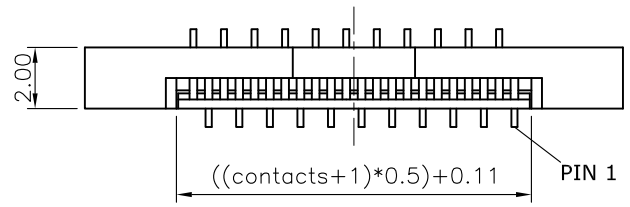
- △ 1 pin count: xx= 04~68
 (Please contact with sales for the pins count available)
- 2 contact type: R= Reverse type
- 3 plating: A= Tin plating under Nickel
- 4 packing: A= tape and reel

4	HOLDDOWN	Brass, 100u" Tin over 50u" Nickel plating
3	CONTACT	Phosphor Bronze, 100u" Tin over 50u" Ni plating
2	ACTUATOR	PPS UL94V-0
1	HOUSING	PA-46 UL94V-0

NO.		PART NAME	DESCRIPTION
UNLESS OTHERWISE SPECIFIED TOLERANCE			
UNIT:	DECIMAL	LINEAR	ANGLES
	mm	X, X	±0.50 ±3°
		X, XX	±0.25 ±1°
DRAWN		Willis	2012/08/03
CHECKED		Angel	2012/08/03
APPROVED		Ken	2012/08/03
SCALE		SHEET	SIZE
4/1	1/1	A4	FILE NAME
DRAWN NAME:		FPC Connector, Pitch 0.5, H2.0 Vertical Reverse Type	
PRODUCT NO.		see how to order	
312A-XXRAA-R_B_2			



www.attend.com.tw



RECOMMENDED LAYOUT (TOP VIEW)
GENERAL TOLERANCE: ±0.05mm

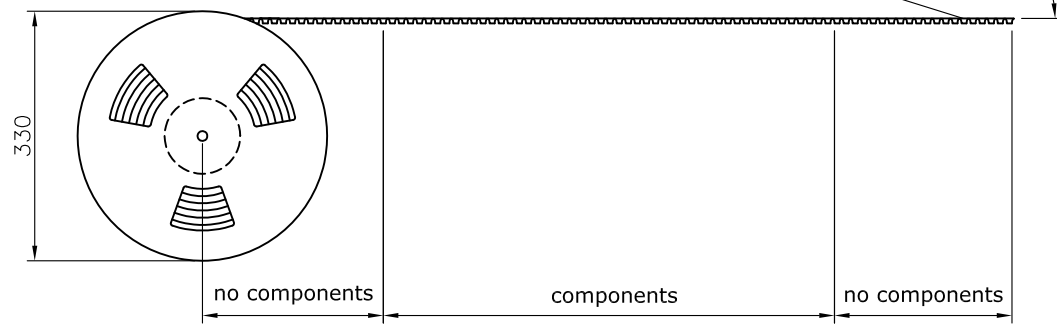
FPC DIMENSION
THICKNESS 0.30mm

REV.	DESCRIPTION	DRAWN	DATE
1	INITIAL RELEASE	Willis	2011/05/17
2	revised frame	Fros	2017/09/20

winding the cover tape around the outer periphery in a turn

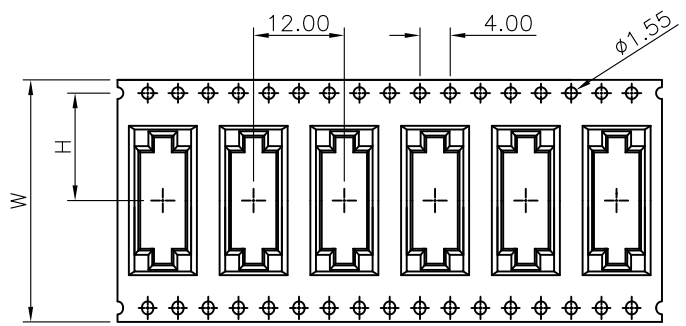
DIRECTION OF FEED →

165°~180°

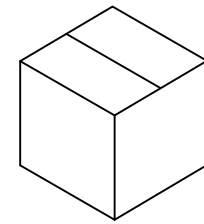


- 10 sprocket hole pitch cumulative tolerance ± 0.20 .
- Carrier camber is within 1 mm in 250mm.
- Material : Black Conductive Polystyrene Alloy (UP-6100).
- All dimensions meet EIA-481-B requirements.
- Thickness : 0.35 ± 0.05 mm.
- Packing length per 22" reel : 35.0 Meters.
- Components load per 13" reel : 1000 pcs.

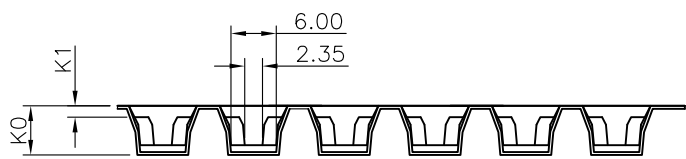
Contact Pin	PCS/Reel	Reel/Carton
03~04	1000	14
05~20	1000	10
21~30	1000	08
31~51	1000	06
52~60	1000	05




PIN= XX	03 — 04	05 — 20	21 — 30	31 — 50	51 — 60
W ± 0.30	16.00	24.00	32.00	44.00	56.50
H ± 0.10	7.50	11.50	14.20	20.20	26.20
K0 ± 0.10	5.30	5.30	5.30	5.70	5.70
K1 ± 0.10	1.50	1.50	1.50	1.90	1.90



CARTON 350X350X340mm



UNLESS OTHERWISE SPECIFIED TOLERANCE					
UNIT:	DECIMAL	LINEAR	ANGLES		
mm	X.	± 0.50	$\pm 5^\circ$	www.attend.com.tw	
	X.X	± 0.25	$\pm 3^\circ$		
	X.XX	± 0.12	$\pm 1^\circ$		
DRAWN	Willis	2011/05/17	DRAWN NAME:		
CHECKED	Angel	2011/05/17	FPC Connector Packaging drawing		
APPROVED	Ken	2011/05/17	PRODUCT NO.	312A-XXXX-R	
SCALE	N/A	SHEET	1/1	SIZE	A4
			FILE NAME	312A-XXXX-R_D_2	