

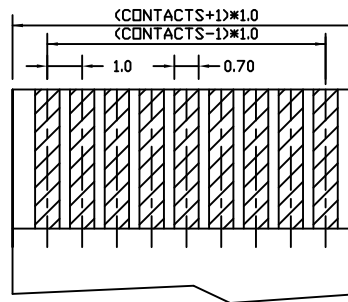
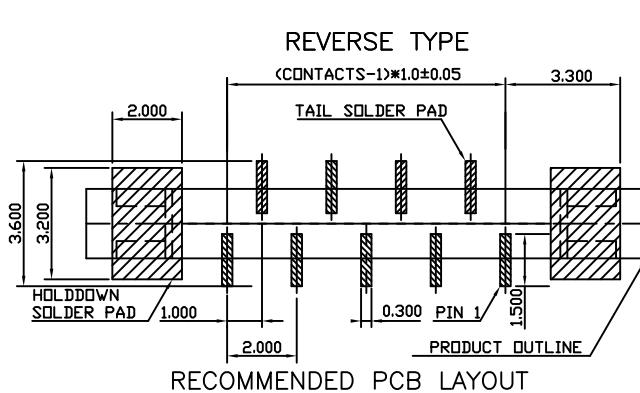
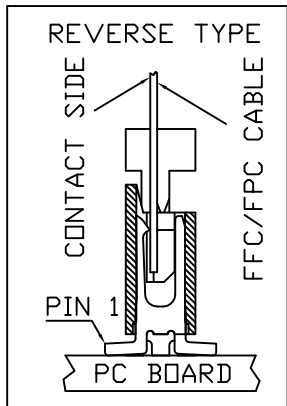
FEATURE AND SPECIFICATIONS
 FOR 0.3mm THICKNESS FFC/FPC.
 VOLTAGE: 50V MAX.
 CURRENT: 0.5A MAX.
 CONTACT RESISTANCE: 20 milliohms MAX.
 INSULATION RESISTANCE: 50 Megohms MIN.
 DIELECTRIC WITHSTANDING VOLTAGE: 250V AC.
 TEMPERATURE: -40°C TO 85°C
 FPC RETENTION FORCE: PER PIN 0.3N(0.03Kgf) MIN

MATERIAL AND FINISH
 HOUSING: PA46. UL 94V-0.
 ACTUATOR: PPS. UL 94V-0.
 CONTACT: PHOSPHOR BRONZE.
 HOLDDOWN: BRASS.

PRODUCT NUMBER:

312B-XX R A A
 1 2 3 4

- 1. Pin Count
03 to 30 Pin
- 2. Contact
R: Reverse Type
- 3. Contact Plating
A: Tin
- 4. Packing
A: Reel



FFC/FPC DIMENSION
 THICKNESS 0.30 mm

UNLESS OTHERWISE SPECIFIED TOLERANCE

ANGLES	ANG.	±5°
LINEAR	0.	±0.3
	0.0	±0.25
	0.00	±0.20

SCALE AS SHOWN UNIT: mm

DRAWN Willis 2012/11/13

CHECKED Angel 2012/11/13

APPROVED Ken 2012/11/13

SIZE A4 REV. 1.0



www.attend.com.tw

DRAWN NAME: FPC Connector Pitch: 1.0mm H:2.0mm Vertical Reverse Type

PRODUCT NO. 312B-XXRAA

FILE NAME 312B-XXRAA_B_2

REV.	DESCRIPTION	DATE	REV.	DESCRIPTION	DATE
1			4		
2			5		
3			6		
			7		

- ③ Revise:
- ③ Revise:
- ③ Revise:

A

10

△: the pins that are with mold and under mass production

	PIN	A	B	C	D
△	3	10.10	2.00	8.10	4.11
△	4	11.10	3.00	9.10	5.11
	5	12.10	4.00	10.10	6.11
	6	13.10	5.00	11.10	7.11
	7	14.10	6.00	12.10	8.11
△	8	15.10	7.00	13.10	9.11
	9	16.10	8.00	14.10	10.11
△	10	17.10	9.00	15.10	11.11
	11	18.10	10.00	16.10	12.11
	12	19.10	11.00	17.10	13.11
	13	20.10	12.00	18.10	14.11
	14	21.10	13.00	19.10	15.11
	15	22.10	14.00	20.10	16.11
△	16	23.10	15.00	21.10	17.11
	17	24.10	16.00	22.10	18.11
	18	25.10	17.00	23.10	19.11
	19	26.10	18.00	24.10	20.11
△	20	27.10	19.00	25.10	21.11
	21	28.10	20.00	26.10	22.11
	22	29.10	21.00	27.10	23.11
	23	30.10	22.00	28.10	24.11
	24	31.10	23.00	29.10	25.11
△	25	32.10	24.00	30.10	26.11
	26	33.10	25.00	31.10	27.11
	27	34.10	26.00	32.10	28.11
	28	35.10	27.00	33.10	29.11
	29	36.10	28.00	34.10	30.11
	30	37.10	29.00	35.10	31.11

						UNLESS OTHERWISE SPECIFIED TOLERANCE			 www.attend.com.tw	
						ANGLES	ANG.	±5°		
						LINEAR	0.	±0.3		
							0.00	±0.25		
						SCALE	AS SHOWN	UNIT: mm		
						DRAWN	Willis	2012/11/13	DRAWN NAME:	
						CHECKED	Angel	2012/11/13	FPC Connector Pitch: 1.0mm H:2.0mm	
						APPROVED	Ken	2012/11/13	Vertical Reverse Type	
						 SIZE A4		REV. 1.0	PRODUCT NO.	312B-XXRAA
REV.	DESCRIPTION			DATE	REV.	DESCRIPTION			DATE	FILE NAME
1					4					312B-XXRAA_B_2