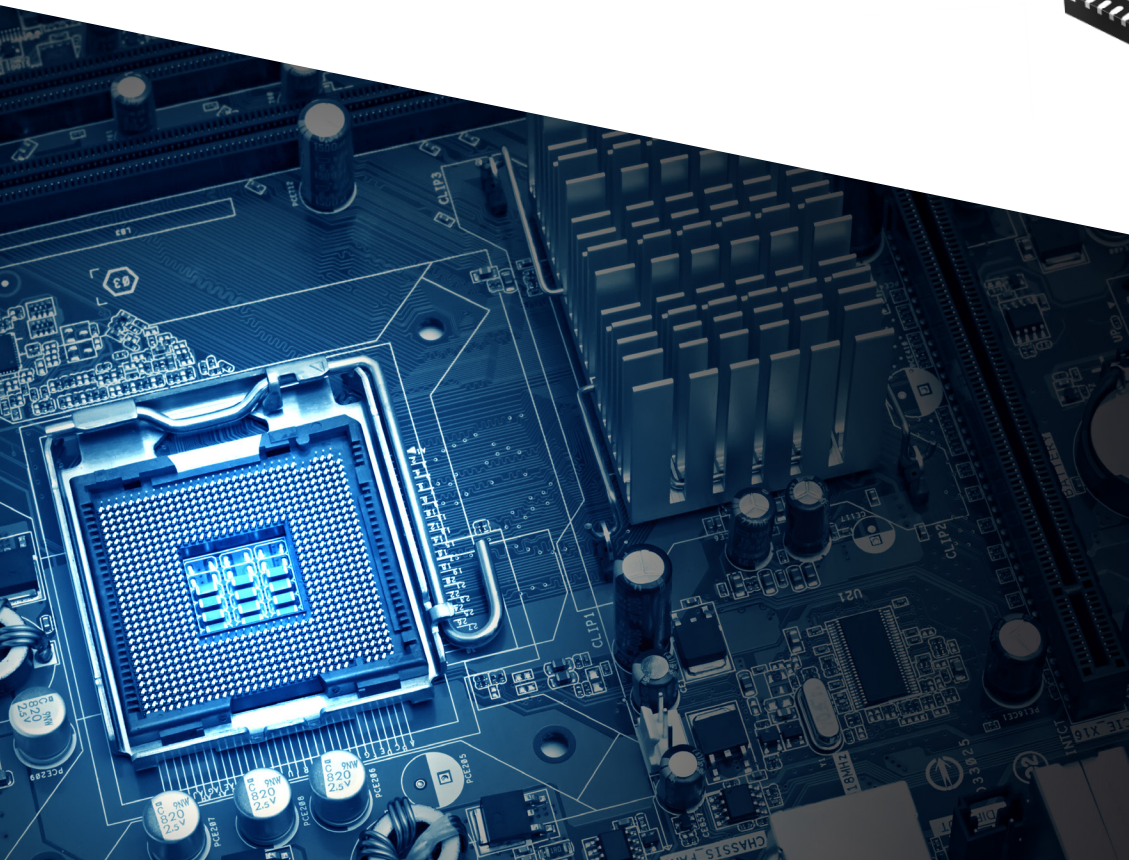
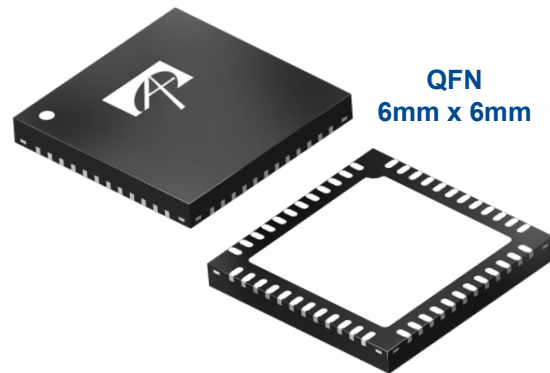




Intel Raptor Lake / Meteor Lake PC Total Solutions

- Low P_Q Digital Controllers
- DrMOS and SPS
(Smart Power Stage with Imon)
- COT Buck Converters



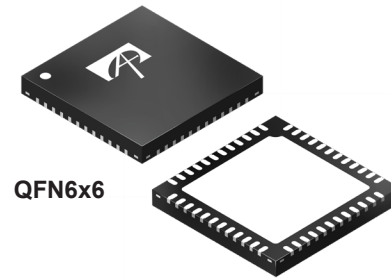
Power IC
Low P_Q Digital
Controllers



Complete Hybrid Multiphase Controller Solution for Intel Meteor Lake/Arrow Lake Notebook/Desktop

Features

- Intel MTL IMVP 9.2 Hybrid Multiphase Controller
- Pairing DrMOS/SPS
- COT Buck Converter for POLs
- USB3.0/3.1 Protection IC/MOS/TVS
- MOSFETs for system/adaptor/battery



Hybrid Multiphase Controller

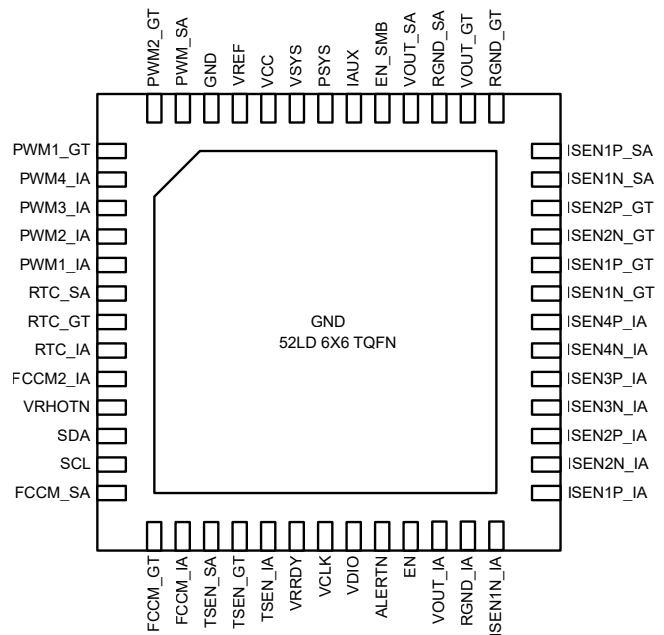
- Lowest Iq on market to meet below 10mW per Rail requirement by Intel
- Up to 9+1+1 Output; Support Intel IMVP8/9/9.1/9.2 SVID
- Pin strap is added with 6 configurations table to minimize SKU
- Digital GUI for easy tuning through SMBUS with minimal RC and MTP (supports configuration change >10 times)
- Supports FVM and Physical FVM pin instead of IAUX pin
- A²TM ensure fast transient performance while keeping phase current balance
- 5x5 40L to 7x7 60L to cover all applications

DrMOS

- BIC robustness with 30V BV; UIS testing
- High efficiency and BIC heavy load capability
- Up to 120A peak current for 10ns
- 5x5 and 3.5x4.5 industrial standard pinout
- FCCM pin for less Quiescent power at low power state

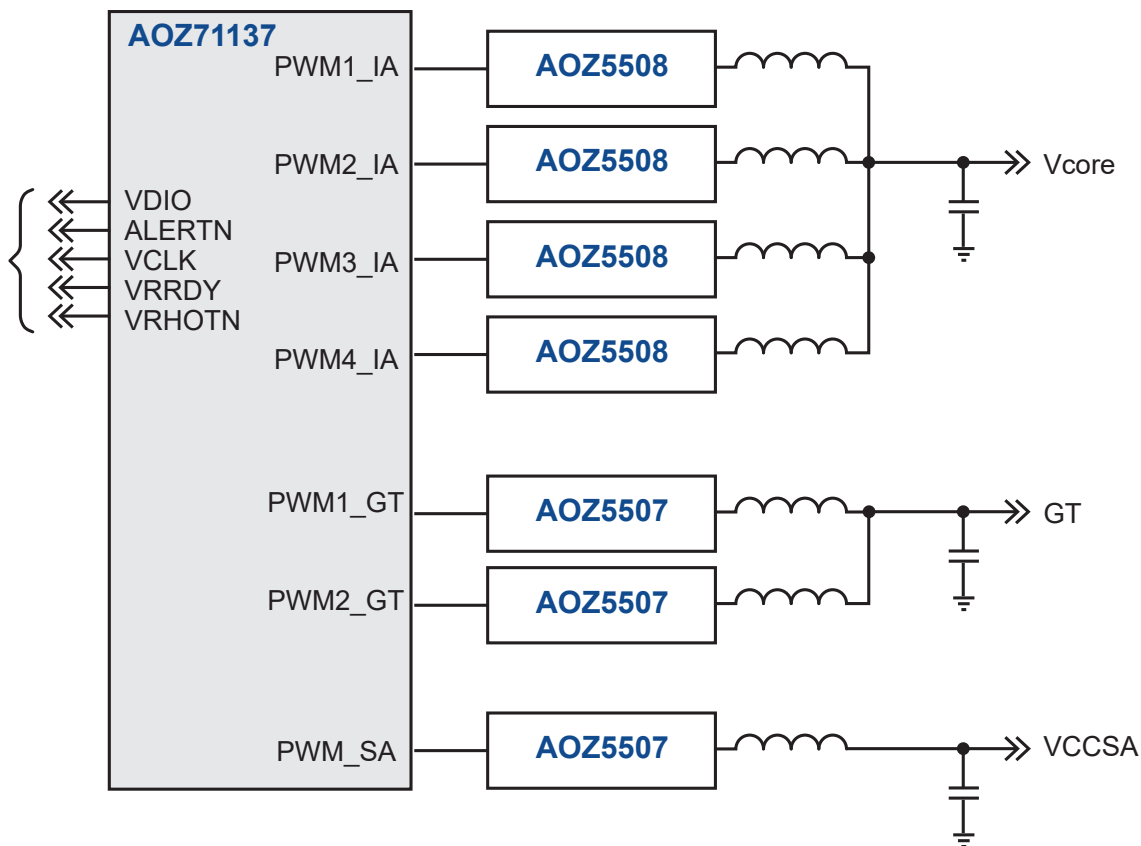
COT Buck Converter

- Wide Vin Range with high Iout 6A-26A capability
- Integration within 4x4 or 5x5 QFN package
- High efficiency with Low R_{DS(ON)} FETs
- Better thermal balance while high current



AOZ71137QI 4+2+1 Controller for MTL Notebook

Typical Application of AOS Low P_Q Digital Controller for ADL/RPL



Product Solutions Tables

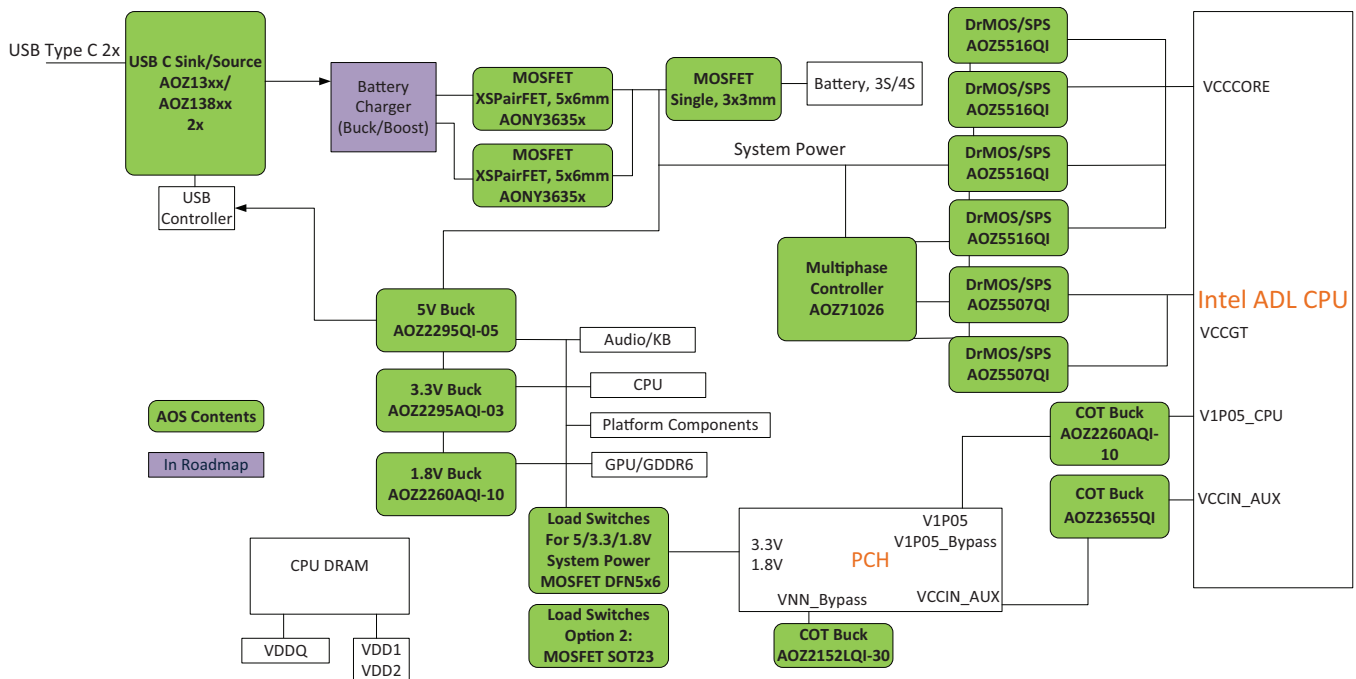
Controller Part Number	Package	Configuration	Vin Range	Communication
AOZ71137QI*	QFN6x6	Up to 4+2+1 for NB	5.2V to 24V	SVID & SMBus
AOZ71031QI*	QFN7x7	Up to 9+1+1 for DT		
AOZ71120QI*	QFN6x6	Up to 8+2 for DT/DG		

DrMOS & SPS PN	Package	Current Rating	10ms Peak Current	BV
AOZ5517/5516*	QFN5x5	60A/55A	80A	30V
AOZ5508/5507*	QFN3.5x4.5	35A/30A	60A	
AOZ52183/52173*	QFN4x5	45A/30A	60A	
AOZ52627*	QFN5x6	60A	100A	

COT Part Number	Package	Current Rating	Vin Range	BV
AOZ22645/55/95RQI*	QFN5x5	16A/18A/25A	4V to 28V	30V
AOZ22539QI*	QFN4x4	15A		
AOZ22559QI*	QFN5x5	20A		
AOZ23567QI*	QFN5x5	25A		
AOZ2260AQI-10	QFN4x4	6A		

* = Available Q1'24

Typical Intel MTL-P Notebook Platform System Power Delivery



AOS SALES OFFICES

UNITED STATES

475 Oakmead Pkwy
Sunnyvale, CA 94085
Phone: +1 (408) 830-9742
Email: Inquiries@aosmd.com

EUROPE

Phone: +49 7941 9039988
Email: AOSEurope@aosmd.com

JAPAN

5F, Yurakucho Building
1-10-1 Yurakucho
Chiyoda-ku
Tokyo 102-0083
Phone: +81 (3) 6826-1401
Email: AOSJapan@aosmd.com

SOUTH KOREA

10th Floor, Bandi Building
Bongeunsa-ro 114
Gangnam-gu
Seoul 135-907
Phone: +82 (2) 557-8501
Email: AOSKorea@aosmd.com

TAIWAN

9/F, No. 292 Yangguang Street
Neihu District
Taipei City 11491
Phone: +886 (2) 8751-5616
Email: AOSTaiwan@aosmd.com

HONG KONG

Room 701, Tesbury Center
28 Queen's Road East
Wanchai
Phone: +86 (755) 8351-7733
Email: AOSChina@aosmd.com

CHINA

SHENZHEN

East 8/F, Matsunichi Building
#9996 Shennan Blvd.
Shenzhen 518057
Phone: +86 (755) 8351-7733
Email: AOSChina@aosmd.com

SHANGHAI

Room 602-603
Central Park Jing'an
329 Hengfeng Road
Jing'an District
Shanghai 200070
Phone: +86 (21) 6353-3218
Email: AOSChina@aosmd.com

To contact any of our sales partners worldwide, please visit our website at: www.aosmd.com/contact

Alpha and Omega Semiconductor Limited, or AOS, is a designer, developer and global supplier of a broad range of discrete power devices, wide band gap power devices, power management ICs and modules. AOS's products are aimed at, but not limited to applications such as portable computers, flat panel TVs, LED lighting, smart phones, battery backs, consumer and industrial motor controls, automotive electronics, and power supplies for TVs, computers, servers and telecommunication equipment.



Powering a Greener Future™