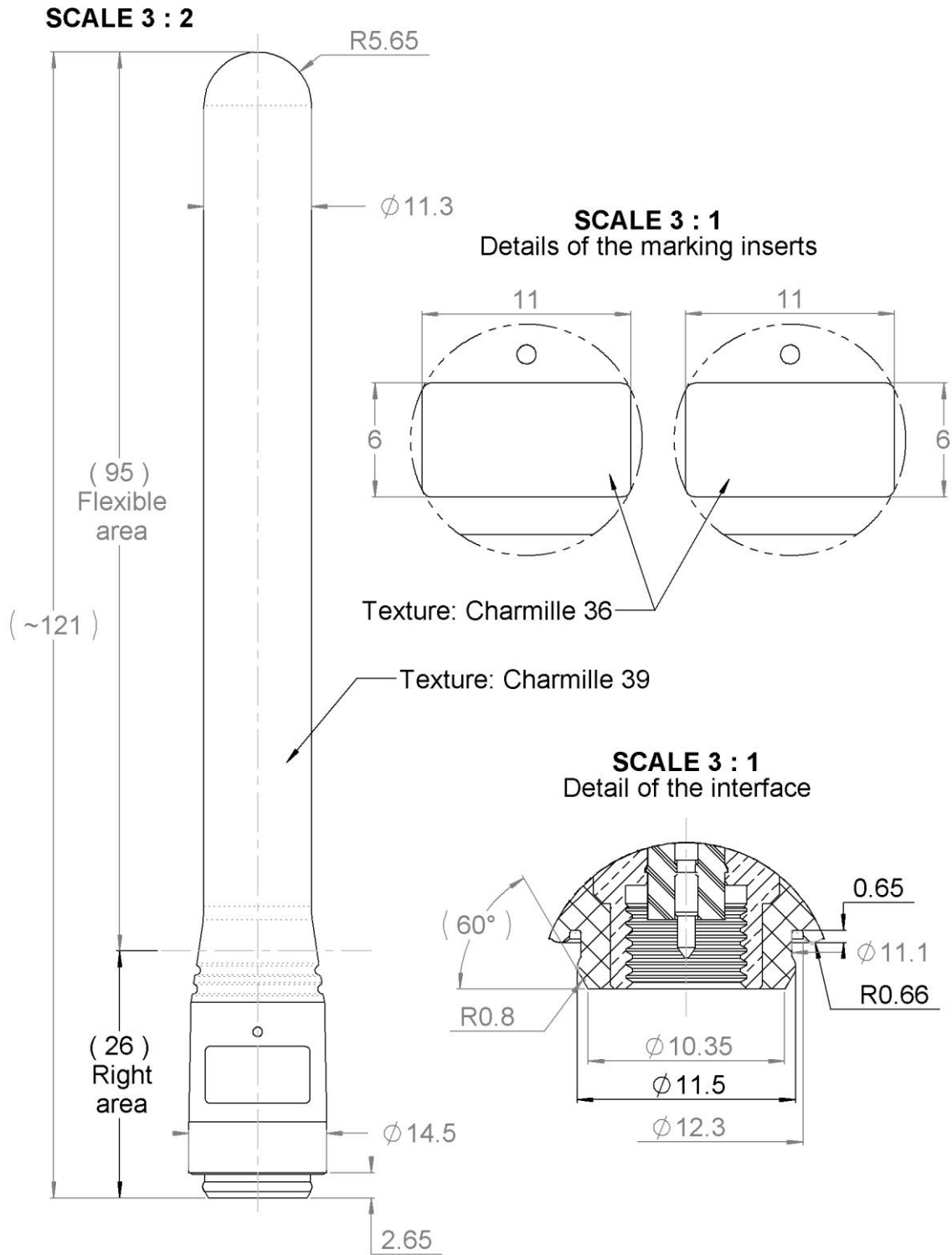


PAGE 1/4	ISSUE 16-08-22A	SERIES ANTENNA	PART NUMBER <b>R380500140</b>
----------	--------------------	-------------------	-------------------------------



All dimensions are in mm. Tolerances according ISO 2768 c-H

PAGE 2/4	ISSUE <b>16-08-22A</b>	SERIES <b>ANTENNA</b>	PART NUMBER <b>R380500140</b>
----------	---------------------------	--------------------------	-------------------------------

**ELECTRICAL CHARACTERISTICS**

Frequency :	<b>2.4-2.5</b>	GHz
Nominal Impedance :	<b>50</b>	Ω
VSWR :	<b>2:1</b>	Max
Gain on the radio :	<b>3</b>	dBi mini
Radiation Pattern	<b>Omni-directional Dipolar</b>	
Azimuth Plane :	<b>Omni-directional</b>	
Elevation Plane :	<b>Dipolar</b>	
Polarization :	<b>VERTICAL</b>	
Power withstanding :	<b>2</b>	W CW
Connector type :	<b>SMA Plug (Male)</b>	

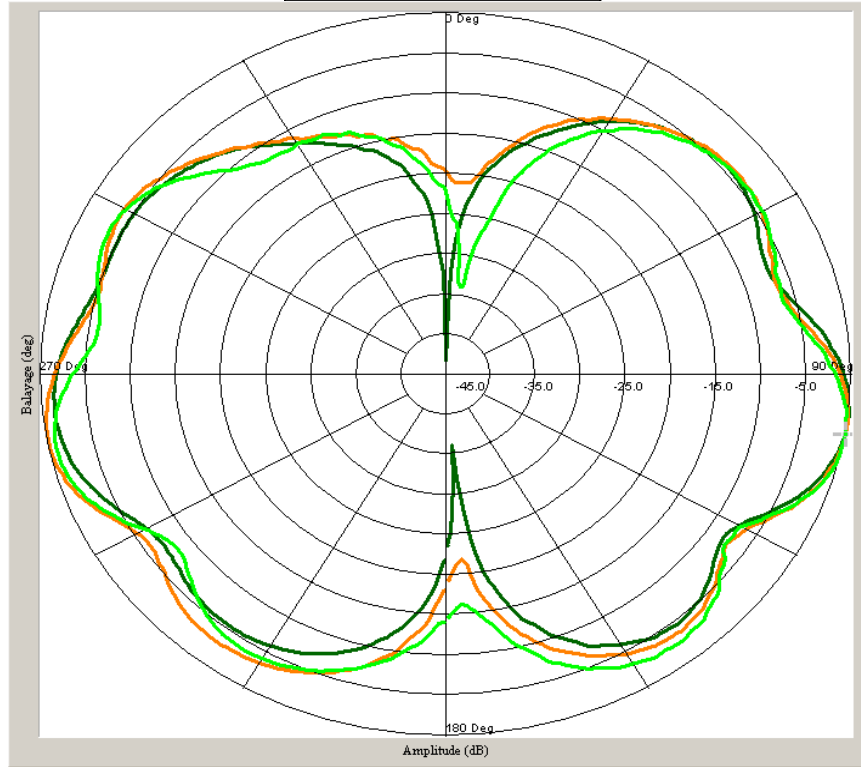
**MECHANICAL CHARACTERISTICS**

Plastic radome :	<b>Polyurethane DESMOPAN 445</b>	
Color :	<b>MATTE BLACK</b>	
Texture :	<b>Charmille 39</b>	
	Except other wise specified	
Weight ±15%:	<b>22</b>	g
Overall length :	<b>120</b>	mm
Flexibility :	<b>±60° from the base</b>	

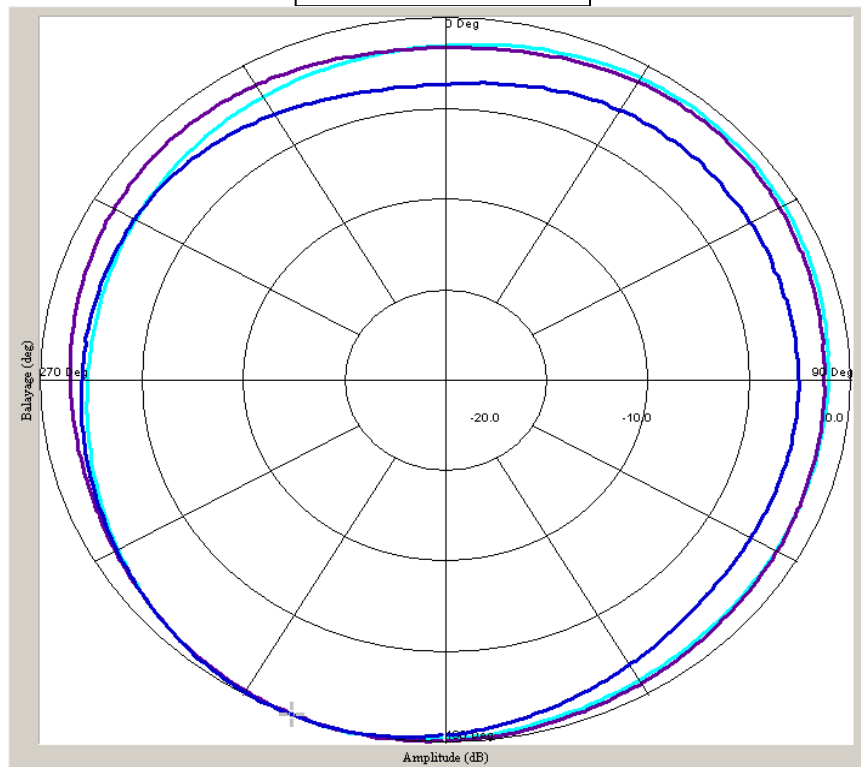
PAGE 3/4	ISSUE 16-08-22A	SERIES ANTENNA	PART NUMBER R380500140
----------	--------------------	-------------------	------------------------

**CURVES**

**Elevation Plane**

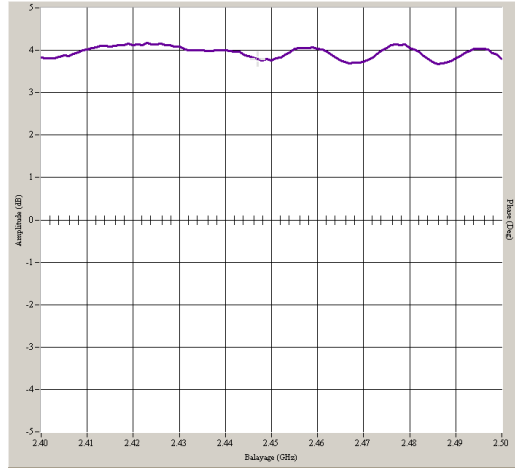


**Azimuth Plane**



PAGE 4/4	ISSUE 16-08-22A	SERIES ANTENNA	PART NUMBER R380500140
----------	--------------------	-------------------	------------------------

**Peak gain**



**VSWR**

