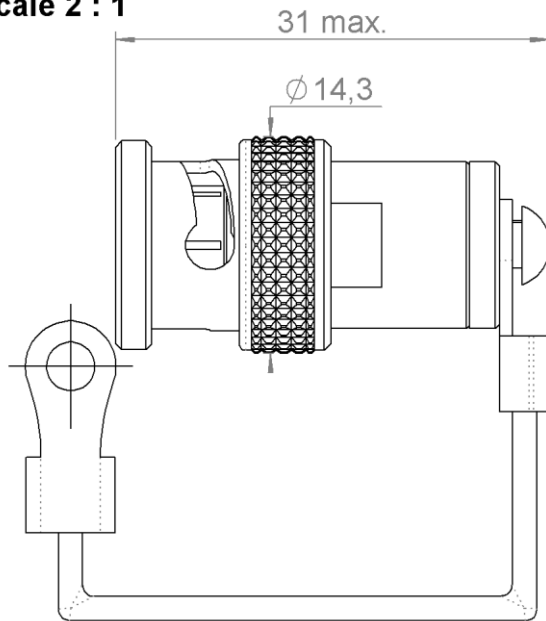
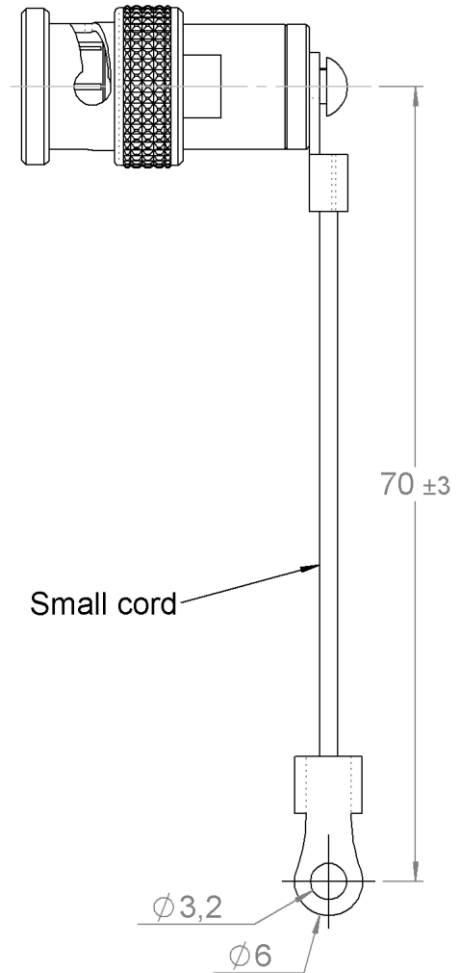


PAGE 1/2	ISSUE <b>28-08-18A</b>	SERIES <b>TERMINATION</b>	PART NUMBER <b>R404111121</b>
----------	------------------------	------------------------------	-------------------------------

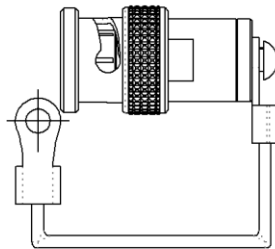
**Scale 2 : 1**



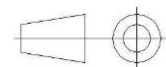
**Scale 3 : 2**



**Scale 1 : 1**



All dimensions are in mm. Tolerances according ISO 2768 m-H



COMPONENTS	MATERIALS	PLATING (µm)
Body	<b>BRASS</b>	<b>NICKEL 2</b>
Center contact	<b>BRASS</b>	<b>GOLD 0.7 to 1 over NICKEL 2</b>
Outer contact	<b>BRASS</b>	<b>NICKEL 2</b>
Insulator	<b>PTFE</b>	
Gasket	<b>SILICONE</b>	
Substrate	<b>ALUMINIUM</b>	
Resistor	<b>THICK FILM</b>	
Others parts	<b>BRASS</b>	<b>NICKEL 2</b>

PAGE 2/2	ISSUE <b>28-08-18A</b>	SERIES <b>TERMINATION</b>	PART NUMBER <b>R404111121</b>
----------	------------------------	------------------------------	-------------------------------

### ELECTRICAL CHARACTERISTICS

Frequency (GHz)	<b>DC - 1</b>	<b>1 - 4</b>
V.S.W.R ( $\leq$ )	<b>1.08</b>	<b>1.20</b>

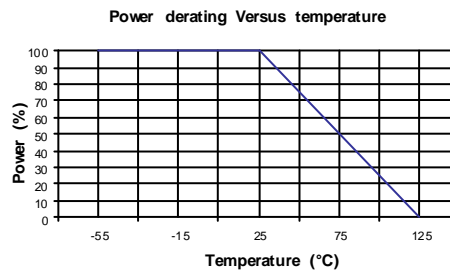
Operating Frequency Range	<b>DC - 4</b>	GHz
Impedance	<b>50</b>	$\Omega$
DC Resistance	<b>50</b>	$\Omega \pm 5\%$
Peak power at 25°C (1 $\mu$ s, 1%)	<b>100</b>	W
Average power at 25°C	<b>1</b>	W (Free Air Cooled)
		W (Conduction Cooled)

### MECHANICAL CHARACTERISTICS

Connectors	<b>BNC</b>	<b>MALE</b>	<b>MIL C39012</b>
Weight	<b>16,500</b> g		

### ENVIRONMENTAL CHARACTERISTICS

Operating temperature range	<b>-55/+125</b>	$^{\circ}\text{C}$
Storage temperature range	<b>-55/+125</b>	$^{\circ}\text{C}$



### SPECIFICATION

### OTHER CHARACTERISTICS